

recessed LED profile

G01

Main features:

- ease of obtaining a "light line"
- ability to create light compositions
- minimalistic design
- excellent heat dissipation
- designed and manufactured in the EU
- easy to install and remove the cover

Application:

- home and shop main lighting
- decorative and lighting installations
- for precise detail illumination

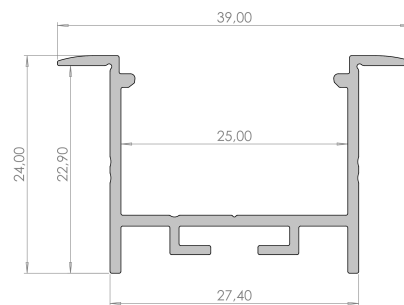
Available colors

-  silver anodized
-  white powder coated
-  black anodized

Additional information

Profile type	architectural recessed
LED strip width	max. 2x12mm or 3x8mm
Standard lengths	2020mm, 3000mm
Installation method	spring clips.

Dimensions [mm]:



Available accessories

Professional polycarbonate covers (PC) / light transmittance

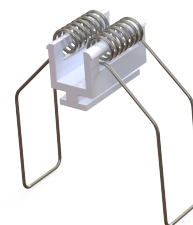


transparent / 96%



milky / 64%

Spring clips

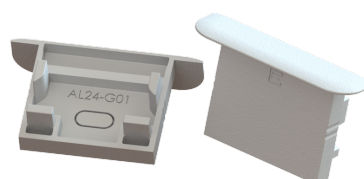


Profile connectors



straight, 45 deg, 90 deg, 3x120 deg.

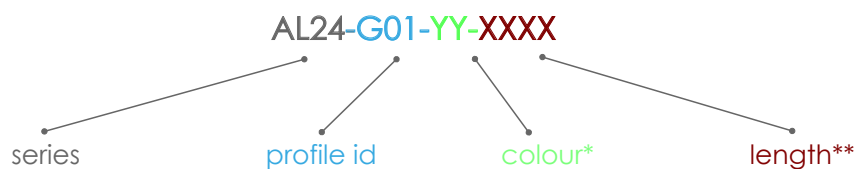
Endcaps



grey, black, white

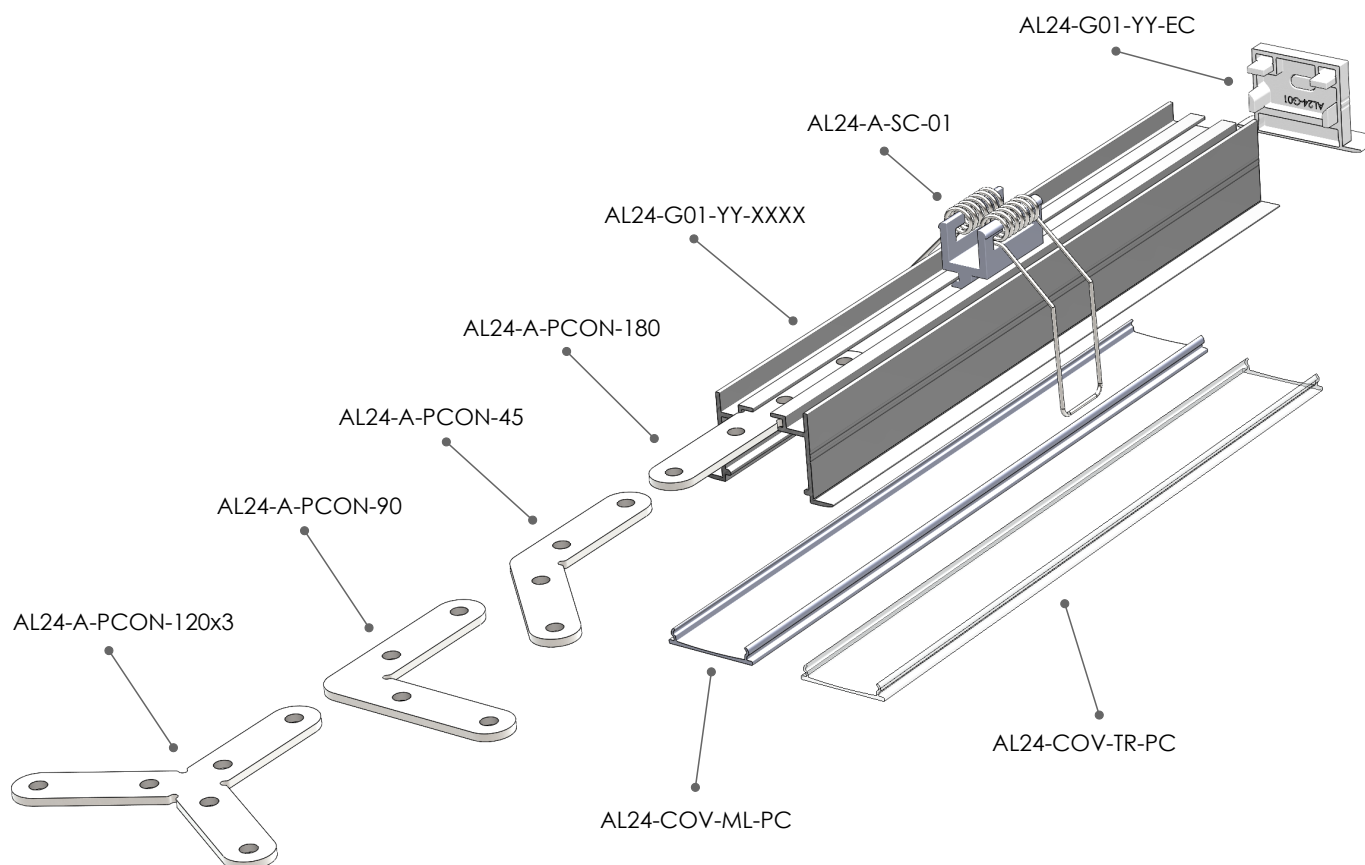


Product code



* **AS** - silver anodized, **AB** - black anodized, **LW** - white powder coated,

** **2020** - 2,02m, **3000** - 3m



Detailed accessory list

AL24-COV-TR-PC-XXXX*	transparent cover PC	AL24-A-SC-01	spring clip
AL24-COV-ML-PC-XXXX*	milky cover PC	AL24-A-PCON-180	straight profile connetor
AL24-G01-AS-EC	grey endcap	AL24-A-PCON-45	45° profile connetor
AL24-G01-LW-EC	white endcap	AL24-A-PCON-90	90° profile connetor
AL24-G01-AB-EC	black endcap	AL24-A-PCON-120x3	3x120° profile connetor

* **2020** - 2,02m, **3000** - 3m;