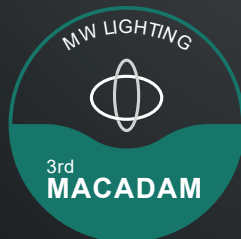


# LED MODULES

for SIGNAGE & POS SYSTEM



2023 / 2024

# ABOUT US

MW LIGHTING



MW Lighting brand specializes in providing professional LED products both for advertising and visual communication as well as for professional lighting contractors in residential and public spaces. That is why MW Lighting provides the highest quality products.

The aim of MW Lighting is to provide professionals with a product that meets current standards and norms, tested for use in various applications.

Our advantages:

- High quality products targeted at professionals;
- Good availability and short lead times (own large storage areas);
- A well-developed distribution network throughout the EU;
- Expert advice;
- Long warranty period;
- Competitive prices.

The products in our offer are selected according to the needs of European market. We offer products of the highest quality, for which we give customers up to 7 years warranty, which proves the highest quality of components used in the production process.

For projects requiring cost reduction, MW Lighting brand has prepared a series of products in economic versions.

On our website you will find full technical documentation and contacts to advisors. At your disposal is a professional staff, which in the most convenient way for you (by phone, e-mail or even in person) will advise you on optimal solutions for the needs of your projects.

# CONTENTS

## PRODUCTS

MW-SAMSUNG-3W	5	PROLED24-3X-CC220	22
MW-MLD-HE-1X-LENS170	6	PROLED-4X-CC260	23
MW-MLD-HE-2X-LENS170	7	TEXAS-2W	24
MW-MLD-HE-3X-LENS170	8	TEXAS-3X	25-26
MW-MLD-HE-4X-LENS170	9	ALASKA-1W	27
MW-MLD-2835-1W-LENS	10	NEBRASKA-1W	28
MW-MLD-2835-2X-LENS	11	NEVADA-3X	29
MW-MLD-2835-3X-LENS	12	MW-MLD-MINI-1W-LENS160	30
MW-MLD-2835-4X-LENS	13	MW-MLD-5050-3RGBW	31
MW-MLD-3030-1X-LENS	14	MW-MLD-CCT-2WW/W-LENS-24V	32
MW-MLD-3535-3W-LENS-C1	15	MINIOVAL-1W	33
MISSOURI-1W	16	BoxSide-OVAL-S-W	34
PROLED-MINI-2X-CC070	17	BoxSide-OVAL-M-W	35
PROLED-MINI-3X-CC100	18	BoxSide-OVAL-L-W	36
PROLED-1X-CC100	19	MW-MLD-FLAT-1X-LENS170	37
PROLED-2X-CC180	20	MW-MLD-PIXEL-1X	38
PROLED-3X-CC220	21		

# SUGGESTED DEPTH (cm)

	2.5	3	4	5	6	7	8	9	10	11	12	13	14	15	16	17	18	19	20	21	22	23	24	25	26	27	28	29	30	
MW-SAMSUNG-3W							8	9	10	11	12	13	14	15	16	17	18	19	20											
MW-MLD-HE-1X-LENS170			4	5	6	7	8																							
MW-MLD-HE-2X-LENS170							8	9	10	11	12	13	14	15																
MW-MLD-HE-3X-LENS170									10	11	12	13	14	15	16	17	18	19	20											
MW-MLD-HE-4X-LENS170												13	14	15	16	17	18	19	20	21	22	23	24	25	26	27	28	29	30	
MW-MLD-2835-1W-LENS		3	4	5	6	7	8	9	10																					
MW-MLD-2835-2X-LENS		3	4	5	6	7	8	9	10																					
MW-MLD-2835-3X-LENS							8	9	10	11	12	13	14	15	16	17	18	19	20											
MW-MLD-2835-4X-LENS									10	11	12	13	14	15	16	17	18	19	20	21	22	23	24	25						
MW-MLD-FLAT-1X-LENS170		3	4	5	6	7	8	9	10																					
MW-MLD-MINI-1W-LENS160				5	6	7	8																							
MW-MLD-CCT-2WW/W-LENS-24V				5	6	7	8	9	10	11	12	13	14	15																
MW-MLD-5050-3RGBW							8	9	10	11	12	13	14	15	16	17	18	19	20	21	22	23	24	25						
MINIOVAL-1W	2.5	3	4	5	6	7	8																							
MISSOURI-1W			4	5	6	7	8	9	10	11	12	13	14	15																
TEXAS-2W				5	6	7	8	9	10	11	12	13	14	15																
TEXAS-3X				5	6	7	8	9	10	11	12	13	14	15	16	17	18	19	20											
NEVADA-3X							8	9	10	11	12	13	14	15	16	17	18	19	20											
ProLED-MINI-2X-CC070		3	4	5	6	7	8	9	10	11	12	13	14	15																
ProLED-MINI-3X-CC100		3	4	5	6	7	8	9	10	11	12	13	14	15																
ProLED-1X-CC100		3	4	5	6	7	8																							
ProLED-2X-CC180				5	6	7	8	9	10	11	12	13	14	15																
ProLED-3X-CC220									10	11	12	13	14	15	16	17	18	19	20											
ProLED24-3X-CC220									10	11	12	13	14	15	16	17	18	19	20											
ProLED-4X-CC260														15	16	17	18	19	20	21	22	23	24	25						

# MW-SAMSUNG-3W

for lightboxes 8 - 20 cm depth

## Features

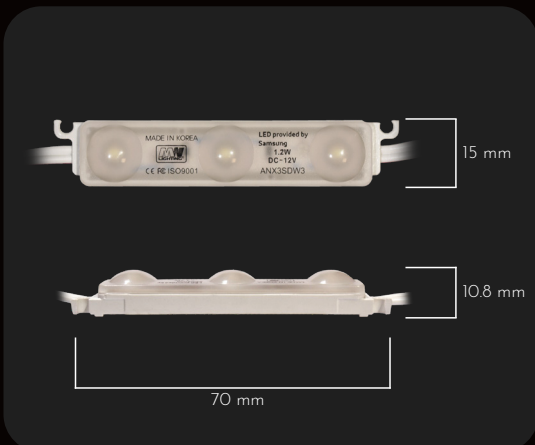
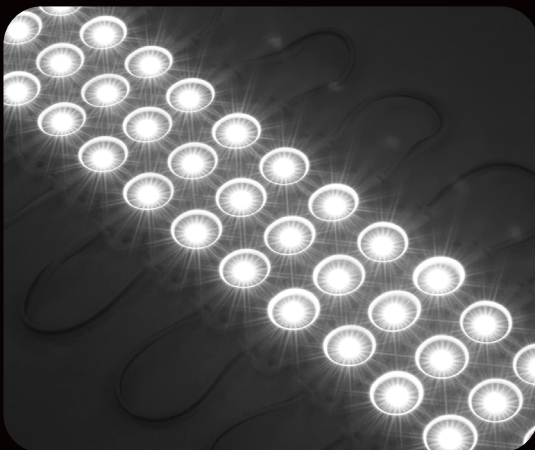
- SMD LED mounted in Korea
- KS, CE, CB, IECEE, UL, SIRC (SASO) certificated
- Technical size & compact design
- Safe & stable operation with DC12 V (constant - voltage)
- Humid & water - proof: passed IP68
- Easy installation with tape & screw with 3 mm bolts

## Application

- Back lighting for signage & channel letter
- Outdoor lighting: advertising
- Indoor lighting: house, office, hospital, bank, school etc.
- Public lighting: road signs, direction signs
- Decorative lighting: sculpture, tower
- Business lighting: storefront (store window), shelf, showcase
- Vehicle lighting: vans, caravans, trailers, lorries
- Architectural lighting



Power supply	12 W	18 W	24 W	35 W	60 W	75 W	100 W	150 W	200 W
Number of modules	10	15	20	30	50	60	83	100	160



	Model	MW-SAMSUNG-3W
Supply	Rated voltage	12 V DC
	Power per module	1.2 W
	Current per 1 module	100 mA
	Chain power consumption	60 W
Diodes	Chain length	50 pcs / 7.8 m
	Color temperature	White (6500K)
	Luminous flux	95 lm
	Flux density	79 lm/W
	Lens	165°
Connection	Lifetime	L70B50 > 50k hrs
	Soldering	Yes
	Screw terminal	Yes
Wires	Wire length	90 mm
	Center - center length	160 mm
	Wires	White - red (+), White (-)
Environment	IP protection	IP68
	Temperature	Working: -30°C ... +70°C
Dimension	Height, width, length	10.8 x 15 x 70 mm
	Adhesive tape	Yes
Montage	Mounting screw	Yes
	Hole size	M3
	Case material	ABS
Other	Pcs in bag / box	200 / 2000 pcs





## MW-MLD-HE-1X-LENS170

for lightboxes 4 - 8 cm depth

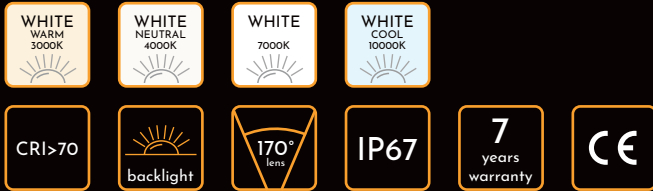
X - color of light: W, NW, WW or CW

### Features

- High efficiency 153 lm/W
- 3 MacAdam ellipse each bin
- IP67 waterproof, injection molded
- Internal current stabilization (CC)
- Built-in heat sink plate
- 7 years warranty

### Application

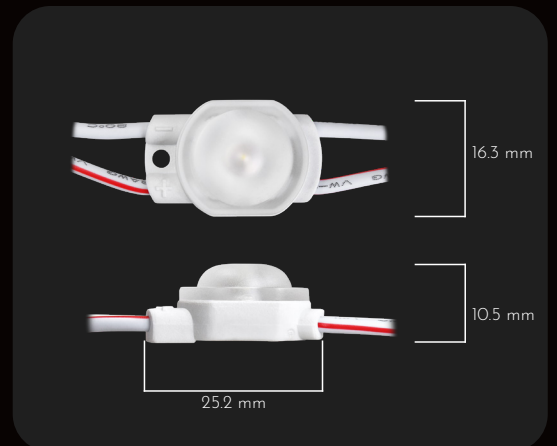
- Chanel letters
- lightboxes backlight, depth of 4 - 8 cm (1LED)



Power supply	12 W	18 W	24 W	36 W	50 W	60 W	75 W	100 W	120 W	150 W	200 W	300 W
Number of modules	30	45	60	90	125	150	188	250	300	375	500	750

6

Supply	Model	MW-MLD-HE-1X-LENS170
	Rated voltage	12 V DC +/- 5%
	Power per module	0.36 W
	Current per 1 module	30 mA
Diodes	Chain power consumption	14.4 W
	Chain length	40 pcs / 5.8 m
	Color temperature	WW - Warm White (3000K) NW - Neutral White (4000K) W - White (7000K) CW - Cold White (10000K)
	Luminous flux	55 lm
	Flux density	153 lm/W
	Lens	170°
	Lifetime	L70B50 > 50k hrs
Connection	Soldering	Yes
	Screw terminal	Yes
Wires	Wire length	120 mm
	Center - center length	145 mm
	Wires	White - red (+), White (-)
Environment	IP protection	IP67
	Temperature	Working: -25°C ... +55°C
Dimension	Height, width, length	10.5 x 16.3 x 25.2 mm
Montage	Adhesive tape	Yes
	Mounting screw	Yes
	Hole size	M3
Other	Case material	ABS, PC Cover
	Pcs in bag / box	200 / 2000 pcs



# MW-MLD-HE-2X-LENS170

for lightboxes 8 - 15 cm depth

X - color of light: W, NW, WW or CW

## Features

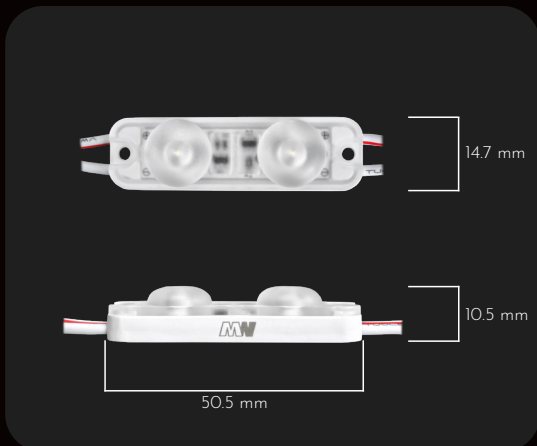
- High efficiency 118 lm/W
- 3 MacAdam ellipse each bin
- IP67 waterproof, injection molded
- Internal current stabilization (CC)
- Built-in heat sink plate
- 7 years warranty

## Application

- Chanel letters
- lightboxes backlight, depth of 8 - 15 cm (2LED)



Power supply	12 W	18 W	24 W	36 W	50 W	60 W	75 W	100 W	120 W	150 W	200 W	300 W
Number of modules	15	23	30	45	63	75	94	125	150	188	250	375



	Model	MW-MLD-HE-2X-LENS170
Supply	Rated voltage	12 V DC +/- 5%
	Power per module	0.72 W
	Current per 1 module	60 mA
	Chain power consumption	21.6 W
Diodes	Chain length	30 pcs / 5 m
	Color temperature	WW - Warm White (3000K) NW - Neutral White (4000K) W - White (7000K) CW - Cold White (10000K)
	Luminous flux	85 lm
	Flux density	118 lm/W
	Lens	170°
	Lifetime	L70B50 > 50k hrs
Connection	Soldering	Yes
	Screw terminal	Yes
Wires	Wire length	99.5 mm
	Center - center length	150 mm
	Wires	White - red (+), White (-)
Environment	IP protection	IP67
	Temperature	Working: -25°C ... +55°C
Dimension	Height, width, length	10.5 x 14.7 x 50.5 mm
Montage	Adhesive tape	Yes
	Mounting screw	Yes
	Hole size	M3
Other	Case material	ABS, PC Cover
	Pcs in bag / box	150 / 1500 pcs





## MW-MLD-HE-3X-LENS170

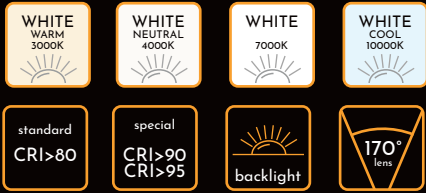
for lightboxes 10 - 20 cm depth  
**X - color of light:** W, NW, WW or CW

### Features

- High efficiency 139 lm/W
- 3 MacAdam ellipse each bin
- IP67 waterproof, injection molded
- Internal current stabilization (CC)
- Built-in heat sink plate
- 7 years warranty

### Application

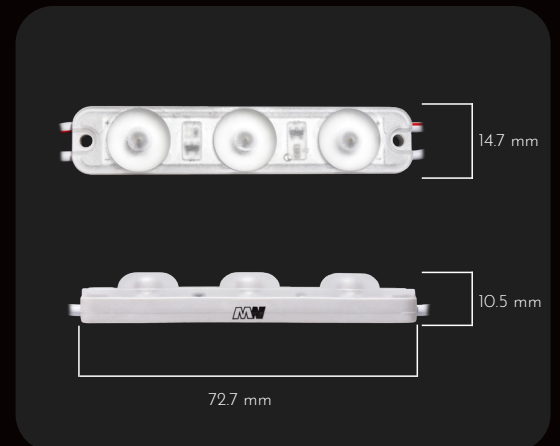
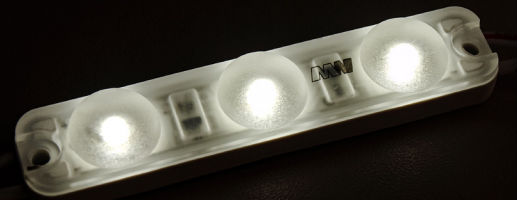
- Chanel letters
- lightboxes backlight, depth of 10 - 20 cm (3LED)



Power supply	12 W	18 W	24 W	36 W	50 W	60 W	75 W	100 W	120 W	150 W	200 W	300 W
Number of modules	11	17	23	34	47	56	70	94	113	141	188	281

8

	Model	MW-MLD-HE-3X-LENS170
Supply	Rated voltage	12 V DC +/- 5%
	Power per module	0.9 W
	Current per 1 module	75 mA
	Chain power consumption	22.5 W
Diodes	Chain length	25 pcs / 5 m
	Color temperature	WW - Warm White (3000K) NW - Neutral White (4000K) W - White (7000K) CW - Cold White (10000K)
	Luminous flux	125 lm
	Flux density	139 lm/W
	Lens	170°
	Lifetime	L70B50 > 50k hrs
Connection	Soldering	Yes
	Screw terminal	Yes
Wires	Wire length	107 mm
	Center - center length	180 mm
	Wires	White - red (+), White (-)
Environment	IP protection	IP67
	Temperature	Working: -25°C ... +55°C
Dimension	Height, width, length	10.5 x 14.7 x 72.7 mm
Montage	Adhesive tape	Yes
	Mounting screw	Yes
	Hole size	M3
Other	Case material	ABS, PC Cover
	Pcs in bag / box	100 / 1000 pcs





# MW-MLD-HE-4X-LENS170

for lightboxes 13 - 30 cm depth

X - color of light: W, NW, WW or CW

## Features

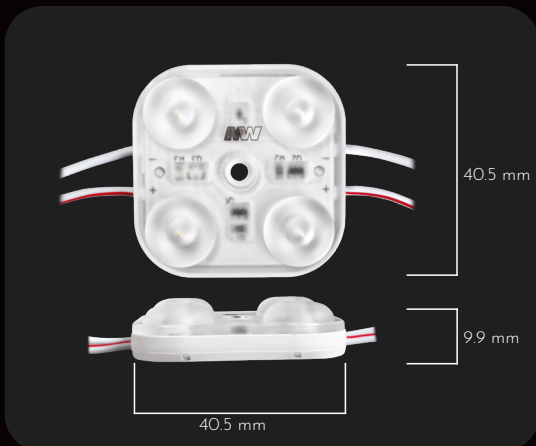
- High efficiency 115 lm/W
- 3 MacAdam ellipse each bin
- IP67 waterproof, injection molded
- Internal current stabilization (CC)
- Built-in heat sink plate
- 7 years warranty

## Application

- Chanel letters
- lightboxes backlight, depth of 13 - 30 cm (4LED)



Power supply	12 W	18 W	24 W	36 W	50 W	60 W	75 W	100 W	120 W	150 W	200 W	300 W
Number of modules	5	8	11	16	23	27	34	45	54	68	90	135



	Model	MW-MLD-HE-4X-LENS170
Supply	Rated voltage	24 V DC +/- 5%
	Power per module	1.92 W
	Current per 1 module	80 mA
	Chain power consumption	38.4 W
Diodes	Chain length	20 pcs / 5 m
	Color temperature	WW - Warm White (3000K) NW - Neutral White (4000K) W - White (7000K) CW - Cold White (10000K)
	Luminous flux	220 lm
	Flux density	115 lm/W
	Lens	170°
	Lifetime	L70B50 > 50k hrs
Connection	Soldering	Yes
	Screw terminal	Yes
Wires	Wire length	215 mm
	Center - center length	255 mm
	Wires	White - red (+), White (-)
Environment	IP protection	IP67
	Temperature	Working: -25°C ... +55°C
Dimension	Height, width, length	9.9 x 40.5 x 40.5 mm
Montage	Adhesive tape	Yes
	Mounting screw	Yes
	Hole size	M3
Other	Case material	ABS, PC Cover
	Pcs in bag / box	60 / 600 pcs





# MW-MLD-2835-1W-LENS

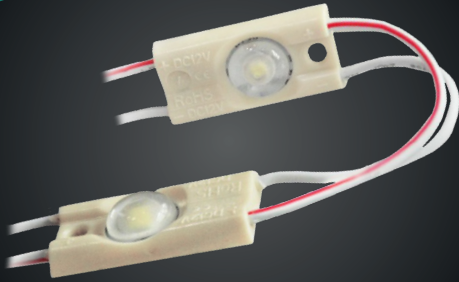
for lightboxes 3 - 10 cm depth

## Features

- IP 67 waterproof, injection molded
- Internal current stabilization (CC)
- Built-in heat sink plate
- 5 years warranty

## Application

- Letters of light
- Advertising boxes with a depth of 3 - 10 cm
- POS systems
- Backlighting of furniture



Power supply	12 W	18 W	24 W	36 W	50 W	60 W	75 W	100 W	120 W	150 W	200 W	300 W
Number of modules	23	34	45	68	94	113	141	188	225	281	375	563

10

	Model	MW-MLD-2835-1W-LENS
Supply	Rated voltage	12 V DC +/- 5%
	Power per module	0.3 W
	Current per 1 module	25 mA
	Chain power consumption	15 W
Diodes	Chain length	50 pcs / 4.2 m
	Color temperature	White (6500K)
	Luminous flux	33 lm
	Flux density	110 lm/W
	Lens	160°
	Lifetime	L70B50 > 50k hrs
Connection	Soldering	Yes
	Screw terminal	Yes
Wires	Wire length	60 mm
	Center - center length	90 mm
	Wires	White - red (+), White (-)
Environment	IP protection	IP67
	Temperature	Working: -25°C ... +55°C
Dimension	Height, width, length	6 x 16 x 30 mm
Montage	Adhesive tape	Yes
	Mounting screw	Yes
	Hole size	M3
Other	Case material	ABS
	Pcs in bag / box	200 / 4200 pcs

# MW-MLD-2835-2X-LENS

for lightboxes 3 - 10 cm depth

X - color of light: W, NW, WW, CW, R, G, B or Y

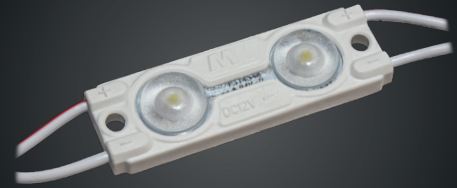


## Features

- IP67 waterproof, injection molded
- Internal current stabilization (CC)
- Built-in heat sink plate
- 5 years warranty

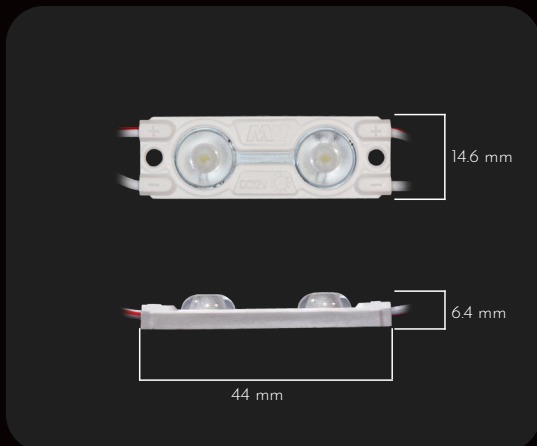
## Application

- Letters of light
- lightboxes backlight, depth of 3 - 10 cm (2LED)
- POS systems
- Backlighting of furniture



Power supply	12 W	18 W	24 W	36 W	50 W	60 W	75 W	100 W	120 W	150 W	200 W	300 W
Number of modules	23	34	45	68	94	113	141	188	225	281	375	563

<b>RED</b> 620 - 630 nm	<b>GREEN</b> 520 - 530 nm	<b>BLUE</b> 460 - 470 nm	<b>YELLOW</b> 588 - 594 nm
<b>WHITE WARM</b> 3000K	<b>WHITE NEUTRAL</b> 4000K	<b>WHITE</b> 6500K	<b>WHITE COOL</b> 12000K
<b>CE</b>	<b>IP67</b>	<b>5 years warranty</b>	<b>160° lens</b>
			<b>backlight</b>
			<b>CRI&gt;80</b>



	Model	MW-MLD-2835-2X-LENS
Supply	Rated voltage	12 V DC +/- 5%
	Power per module	0.48 W
	Current per 1 module	40 mA
	Chain power consumption	24 W
Diodes	Chain length	50 pcs / 5.3 m
	Color temperature	WW - Warm White (3000K) NW - Neutral White (4000K) W - White (6500K) CW - Cold White (12000K) R - Red (620 - 630 nm) G - Green (520 - 530 nm) B - Blue (460 - 470 nm) Y - Yellow (588 - 594 nm)
	Luminous flux	46 lm
	Flux density	96 lm/W
	Lens	160°
	Lifetime	L70B50 > 50k hrs
	Connection	Soldering
	Screw terminal	Yes
Wires	Wire length	65 mm
	Center - center length	110 mm
	Wires	White - red (+), White (-)
Environment	IP protection	IP67
	Temperature	Working: -25°C ... +55°C
Dimension	Height, width, length	6.4 x 14.6 x 44 mm
Montage	Adhesive tape	Yes
	Mounting screw	Yes
	Hole size	M3
Other	Case material	ABS
	Pcs in bag / box	200 / 1600 pcs



## MW-MLD-2835-3X-LENS

for lightboxes 8 - 20 cm depth

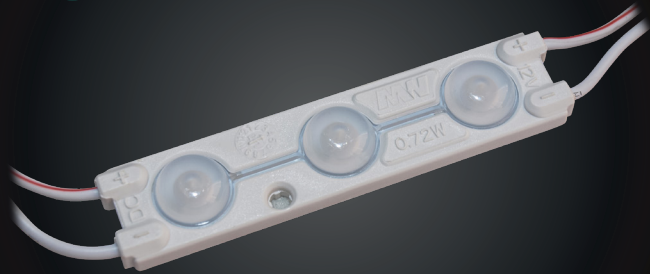
X - color of light: W, NW, WW, CW, R, G, B or Y

### Features

- IP67 waterproof, injection molded
- Internal current stabilization (CC)
- Built-in heat sink plate
- 5 years warranty

### Application

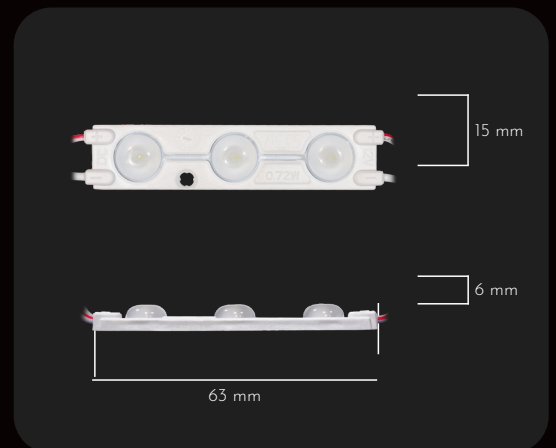
- Letters of light
- Advertising boxes with a depth of 8 - 20 cm (3LED)
- POS systems
- Backlighting of furniture



Power supply	12 W	18 W	24 W	36 W	50 W	60 W	75 W	100 W	120 W	150 W	200 W	300 W
Number of modules	15	23	30	45	63	75	94	125	150	188	250	375

12

	Model	MW-MLD-2835-3X-LENS
Supply	Rated voltage	12 V DC +/- 5%
	Power per module	0.72 W
	Current per 1 module	60 mA
	Chain power consumption	28.8 W
Diodes	Chain length	40 pcs / 6.6 m
	Color temperature	WW - Warm White (3000K) NW - Neutral White (4000K) W - White (6500K) CW - Cold White (12000K) R - Red (620 - 630 nm) G - Green (520 - 530 nm) B - Blue (460 - 470 nm) Y - Yellow (588 - 594 nm)
	Luminous flux	60 lm (WW, NW, W, CW)
	Flux density	84 lm/W
	Lens	160°
	Lifetime	L70B50 > 50k hrs
	Connection	Soldering
Screw terminal		Yes
Wires	Wire length	112 mm
	Center - center length	175 mm
	Wires	White - red (+), White (-)
Environment	IP protection	IP67
	Temperature	Working: -25°C ... +55°C
Dimension	Height, width, length	6 x 15 x 63 mm
Montage	Adhesive tape	Yes
	Mounting screw	Yes
	Hole size	M3
Other	Case material	ABS
	Pcs in bag / box	160 / 2560 pcs



# MW-MLD-2835-4X-LENS

for lightboxes 10 - 25 cm depth

X - color of light: W, WW, NW or CW

## Features

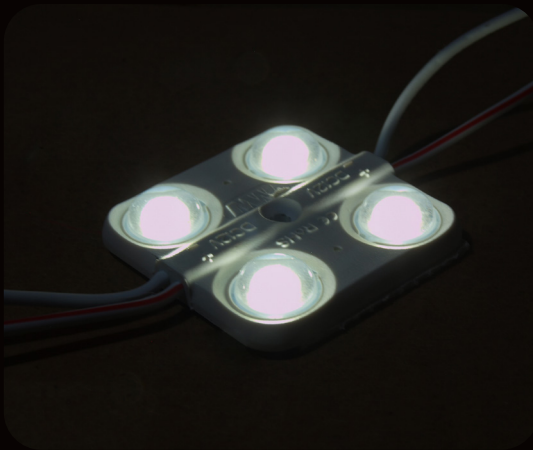
- IP67 waterproof, injection molded
- Internal current stabilization (CC)
- Built-in heat sink plate
- 5 years warranty

## Application

- Letters of light
- lightboxes backlight, depth of 10 - 25 cm (4LED)
- POS systems
- Backlighting of furniture



Power supply	12 W	18 W	24 W	36 W	50 W	60 W	75 W	100 W	120 W	150 W	200 W	300 W
Number of modules	9	14	18	27	38	45	56	75	90	113	150	225



	Model	MW-MLD-2835-4X-LENS
Supply	Rated voltage	12 V DC +/- 5%
	Power per module	1.2 W
	Current per 1 module	100 mA
	Chain power consumption	36 W
Diodes	Chain length	30 pcs / 6.2 m
	Color temperature	WW - Warm White (3000K) NW - Neutral White (4000K) W - White (6500K) CW - Cold White (12000K)
	Luminous flux	115 lm
	Flux density	96 lm/W
	Lens	160°
	Lifetime	L70B50 > 50k hrs
	Connection	Soldering
Screw terminal		Yes
Wires	Wire length	185 mm
	Center - center length	220 mm
	Wires	White - red (+), White (-)
Environment	IP protection	IP67
	Temperature	Working: -25°C ... +55°C
Dimension	Height, width, length	6 x 36 x 35.8 mm
Montage	Adhesive tape	Yes
	Mounting screw	Yes
	Hole size	M3
Other	Case material	ABS
	Pcs in bag / box	90 / 1440 pcs



## MW-MLD-3030-1X-LENS

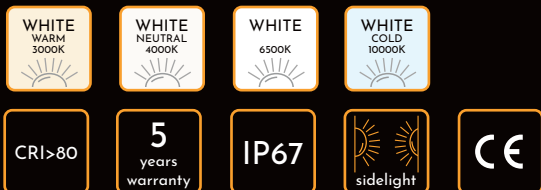
for lightboxes 10 - 20 cm depth  
 X - color of light: W, NW, WW or CW

### Features

- IP67 waterproof sealed, injection molded
- Internal current stabilization (CC)
- Built-in heat sink plate
- 5 years warranty

### Application

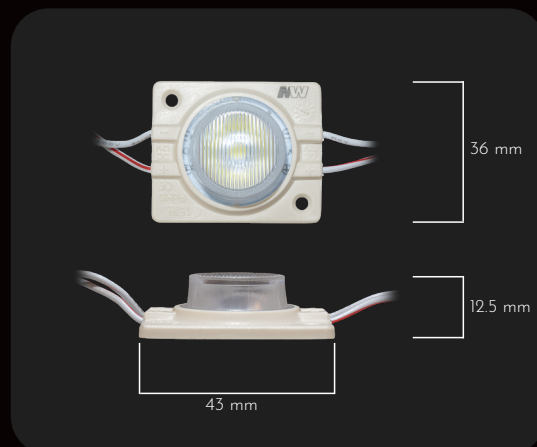
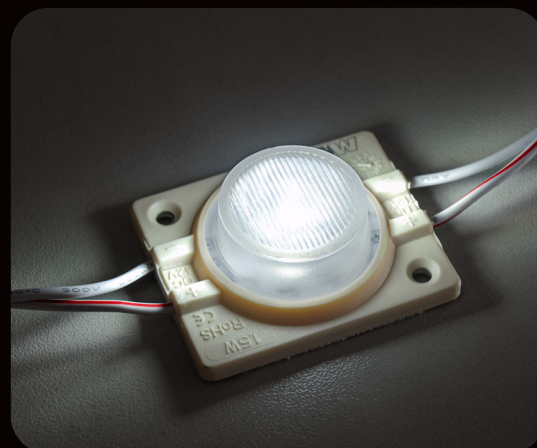
- Letters of light
- Double sided advertising boxes, lightboxes
- POS systems
- Backlighting of furniture



Power supply	12 W	18 W	24 W	36 W	50 W	60 W	75 W	100 W	120 W	150 W	200 W	300 W
Number of modules	8	11	15	23	31	38	47	63	75	94	125	188

14

Supply	Model	MW-MLD-3030-1X-LENS
	Rated voltage	12 V DC +/- 5%
	Power per module	1.5 W
	Current per 1 module	125 mA
	Chain power consumption	45 W
Diodes	Chain length	30 pcs / 4.6 m
	Color temperature	WW - Warm White (3000K) NW - Neutral White (4000K) W - White (6500K) CW - Cold White (10000K)
	Flux density	125 lm
	Flux density	83 lm/W
	Lens	15° x 55*
	Lifetime	L70B50 > 50k hrs
Connection	Soldering	Yes
	Screw terminal	Yes
Wires	Wire length	107 mm
	Center - center length	150 mm
	Wires	White - red (+), White (-)
Environment	IP protection	IP67
	Temperature	Working: -25°C ... +55°C
Dimension	Height, width, length	12.5 x 36 x 43 mm
Montage	Adhesive tape	Yes
	Mounting screw	Yes
	Hole size	M3
Other	Case material	ABS
	Pcs in bag / box	60 / 600 pcs



\*depending on the vertical or horizontal arrangement

# MW-MLD-3535-3W-LENS-C1

for lightboxes min. 12 - 30 cm depth



## Features

- IP67 waterproof sealed, injection molded
- Internal current stabilization (CC)
- Built-in heat sink plate
- 5 years warranty

## Application

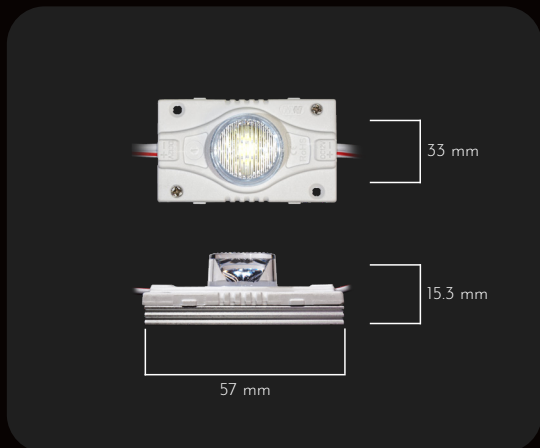
- Letters of light
- Double sided advertising boxes, lightboxes
- POS systems
- Backlighting of furniture



Power supply	12 W	18 W	24 W	36 W	50 W	60 W	75 W	100 W	120 W	150 W	200 W	300 W
Number of modules	4	5	7	11	15	18	23	30	36	45	60	90



Supply	Model	MW-MLD-3535-3W-LENS-C1
	Rated voltage	12 V DC +/- 5%
	Power per module	3 W
	Current per 1 module	250 mA
Diodes	Chain power consumption	60 W
	Chain length	20 pcs / 3.8 m
	Color temperature	White (6500K)
	Luminous flux	315 lm
	Flux density	105 lm/W
	Lens	20° x 40°*
Connection	Lifetime	L70B50 > 50k hrs
	Soldering	Yes
Wires	Screw terminal	Yes
	Wire length	143 mm
	Center - center length	200 mm
Environment	Wires	White - red (+), White (-)
	IP protection	IP67
Dimension	Temperature	Working: -25°C ... +55°C
	Height, width, length	15.3 x 33 x 57 mm
Montage	Adhesive tape	Yes
	Mounting screw	Yes
	Hole size	M3
Other	Case material	ABS
	Pcs in bag / box	20 / 320 pcs



\*depending on the vertical or horizontal arrangement



# MISSOURI-1W

for lightboxes 4 - 15 cm depth

## Features

- Uniformity optical performance at high LED module distance thanks to excellent lens design
- 100 lm / module (6500K)
- 5 years warranty

## Application

- Signage and illuminated advertising
- Back-lighting for medium light box, channel letter



Power supply	12 W	18 W	24 W	36 W	50 W	60 W	75 W	100 W	120 W	150 W	200 W	300 W
Number of modules	11	17	22	33	46	55	69	92	110	138	183	280

16

Supply	Model	MISSOURI-1W
	Rated voltage	12 V DC
	Power per module	1 W
	Current per 1 module	83 mA
	Chain power consumption	30 W
Diodes	Chain length	30 pcs
	Color temperature	White (6500K)
	Flux density	90 lm
	Flux density	90 lm/W
	Lens	170°
	Lifetime	L70B50 > 50k hrs
Connection	Soldering	Yes
	Screw terminal	Yes
Wires	Wire length	188 mm
	Center - center length	221 mm
	Wires	White - red (+), White (-)
Environment	IP protection	IP66
	Temperature	Working: -25°C ... +60°C
Dimension	Height, width, length	10 x 23 x 33 mm
Montage	Adhesive tape	Yes
	Mounting screw	No
	Hole size	2.8 mm
Other	Case material	PVC
	Pcs in bag / box	90 / 2160 pcs



# ProLED-MINI-2X-CC070

for lightboxes 3 - 15 cm depth

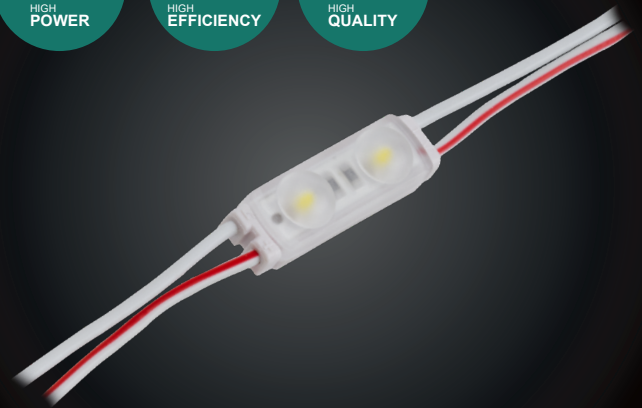
X - color of light: W, WW, NW or CW

## Features

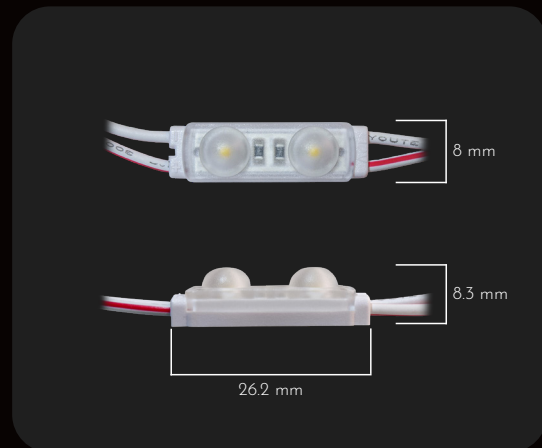
- IP67 waterproof, injection molded
- Special design for low depth 3D letters
- Internal 140 deg lens
- 7 years warranty

## Application

- Backlight in indoor and outdoor lightboxes
- Lightboxes with 3 - 15 cm depth



Power supply	12 W	18 W	24 W	36 W	50 W	60 W	75 W	100 W	120 W	150 W	200 W	300 W
Number of modules	22	32	43	65	90	108	135	180	216	270	360	540



Supply	Model	PROLED-MINI-2X-CC070
	Rated voltage	12 V DC
	Power per module	0.5 W
	Current per 1 module	42 mA
Diodes	Chain power consumption	25 W
	Chain length	50 pcs / 3.5 m
	Color temperature	WW - Warm White (3000K) NW - Neutral White (4000K) W - White (7000K) CW - Cold White (10000K)
	Luminous flux (module)	70 lm
	Flux density	140 lm/W
	Lens	140°
	Lifetime	L70B50 > 50k hrs
Connection	Soldering	Yes
	Screw terminal	Yes
Wires	Wire length	44 mm
	Center - center length	70 mm
	Wires	White - red (+), White (-)
Environment	IP protection	IP67
	Temperature	Working: -25°C ... +55°C
Dimension	Height, width, length	8.3 x 8 x 26.2 mm
Montage	Adhesive tape	Yes
	Mounting screw	Yes
	Hole size	-
Other	Case material	ABS
	Pcs in bag / box	200 / 5000 pcs



# ProLED-MINI-3X-CC100

for lightboxes 3 - 15 cm depth

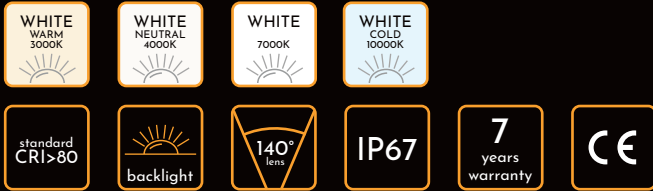
X - color of light: W, WW, NW or CW

## Features

- IP67 waterproof, injection molded
- Special design for low depth 3D letters
- Internal 140 deg lens
- 7 years warranty

## Application

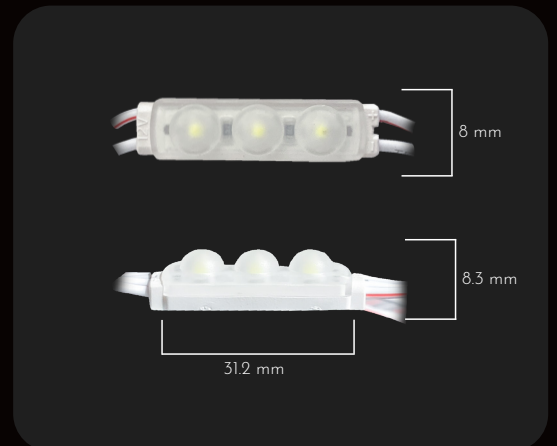
- Backlight in indoor and outdoor lightboxes
- Lightboxes with 3 - 15 cm depth



Power supply	12 W	18 W	24 W	36 W	50 W	60 W	75 W	100 W	120 W	150 W	200 W	300 W
Number of modules	15	23	30	45	63	75	94	125	150	188	250	375

18

Supply	Model	PROLED-MINI-3X-CC100
	Rated voltage	12 V DC
	Power per module	0.72 W
	Current per 1 module	60 mA
Diodes	Chain power consumption	36 W
	Chain length	50 pcs / 3.5 m
	Color temperature	WW - Warm White (3000K) NW - Neutral White (4000K) W - White (7000K) CW - Cold White (10000K)
	Luminous flux (module)	WW, NW, CW - 65 lm W - 72 lm
	Flux density	WW, NW, CW - 90 lm/W W - 100 lm/W
	Lens	140°
	Lifetime	L70B50 > 50k hrs
Connection	Soldering	Yes
	Screw terminal	Yes
Wires	Wire length	69 mm
	Center - center length	100 mm
	Wires	White - red (+), White (-)
Environment	IP protection	IP67
	Temperature	Working: -25°C ... +55°C
Dimension	Height, width, length	8.3 x 8 x 31.2 mm
Montage	Adhesive tape	Yes
	Mounting screw	Yes
	Hole size	-
Other	Case material	ABS
	Pcs in bag / box	200 / 5000 pcs



# ProLED-1X-CC100

for lightboxes 3 - 8 cm depth  
 X - color of light: W, WW, CW or NW

## Features

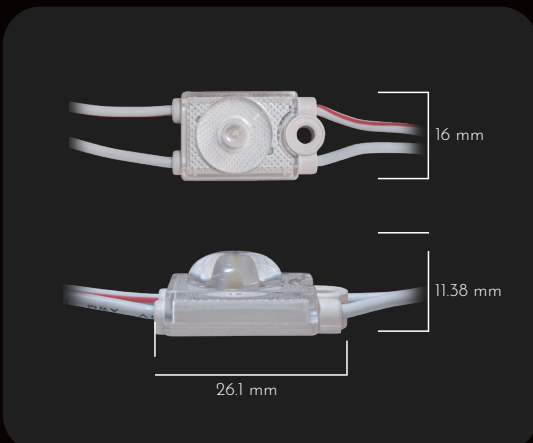
- IP67 waterproof, injection molded
- Microlens front side design
- Internal 175 deg lens
- 7 years warranty

## Application

- Backlight in indoor and outdoor lightboxes
- Lightboxes with 3 - 8 cm depth



Power supply	12 W	18 W	24 W	36 W	50 W	60 W	75 W	100 W	120 W	150 W	200 W	300 W
Number of modules	30	45	60	90	125	150	188	250	300	375	500	750



	Model	PROLED-1X-CC100
Supply	Rated voltage	12 V DC
	Power per module	0.36 W
	Current per 1 module	30 mA
	Chain power consumption	7.2 W
	Chain length	20 pcs / 5.1 m
Diodes	Color temperature	WW - Warm White (3000K) NW - Neutral White (4000K) W - White (7000K) CW - Cold White (10000K)
	Luminous flux (module)	WW, NW, CW - 58 lm W - 60 lm
	Flux density	WW, NW, CW - 161 lm/W W - 167 lm/W
	Lens	175°
	Lifetime	L70B50 > 50k hrs
Connection	Soldering	Yes
	Screw terminal	Yes
Wires	Wire length	74 mm
	Center - center length	100 mm
	Wires	White - red (+), White (-)
Environment	IP protection	IP67
	Temperature	Working: -25°C ... +60°C
Dimension	Height, width, length	11.38 x 16 x 26.1 mm
	Adhesive tape	Yes
Montage	Mounting screw	Yes
	Hole size	M3
	Case material	ABS
Other	Pcs in bag / box	100 pcs / 2800



## ProLED-2X-CC180

for lightboxes 5 - 15 cm depth  
 X - color of light: W, WW, CW or NW

### Features

- IP67 waterproof, injection molded
- Microlens front side design
- Internal 175 deg lens
- 7 years warranty

### Application

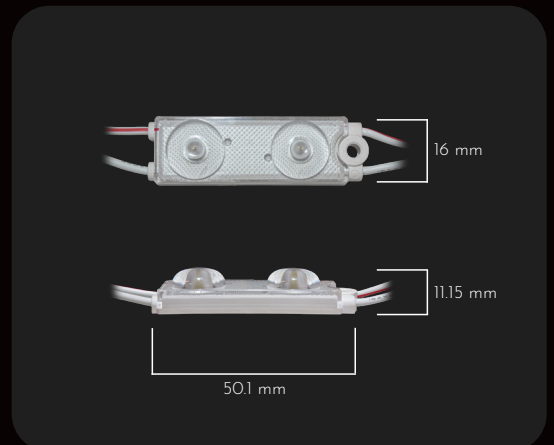
- Backlight in indoor and outdoor lightboxes
- Lightboxes with 5 - 15 cm depth



Power supply	12 W	18 W	24 W	35 W	50 W	60 W	75 W	100 W	120 W	150 W	200 W	300 W
Number of modules	15	23	30	45	63	75	94	125	150	188	250	375

20

Supply	Model	PROLED-2X-CC180
	Rated voltage	12 V DC
	Power per module	0.78 W
	Current per 1 module	65 mA
	Chain power consumption	15.6 W
Diodes	Chain length	20 pcs / 5.4 m
	Color temperature	WW - Warm White (3000K) NW - Neutral White (4000K) W - White (7000K) CW - Cold White (10000K)
	Luminous flux (module)	105 lm
	Flux density	135 lm/W
	Lens	175°
	Lifetime	L70B50 > 50k hrs
	Connection	Soldering
Screw terminal		Yes
Wires	Wire length	130 mm
	Center - center length	180 mm
	Wires	White - red (+), White (-)
Environment	IP protection	IP67
	Temperature	Working: -25°C ... +60°C
Dimension	Height, width, length	11.15 x 16 x 50.1 mm
Montage	Adhesive tape	Yes
	Mounting screw	Yes
	Hole size	M3
Other	Case material	ABS
	Pcs in bag / box	100 / 1600 pcs



# ProLED-3X-CC220

for lightboxes 10 - 20 cm depth  
X - color of light: W, WW, CW or NW

## Features

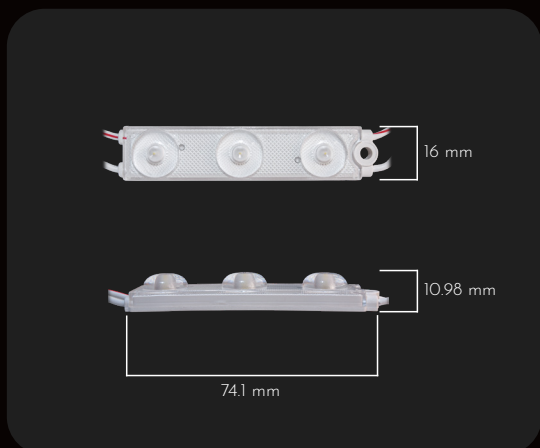
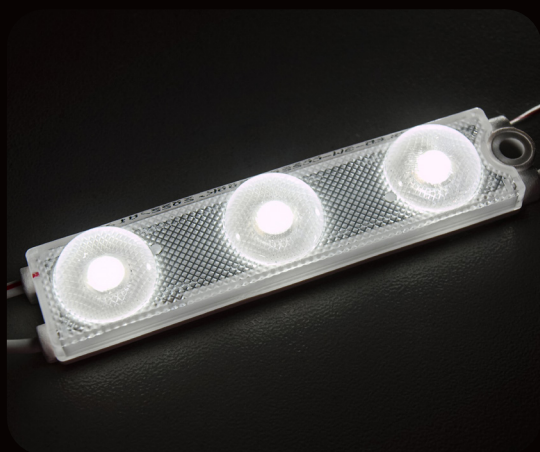
- IP67 waterproof, injection molded
- Microlens front side design
- Internal 175 deg lens
- 7 years warranty

## Application

- Backlight in indoor and outdoor lightboxes
- Lightboxes with 10 - 20 cm depth



Power supply	12 W	18 W	24 W	36 W	50 W	60 W	75 W	100 W	120 W	150 W	200 W	300 W
Number of modules	10	15	20	30	42	50	63	83	100	125	167	250



	Model	PROLED-3X-CC220
Supply	Rated voltage	12 V DC
	Power per module	1.08 W
	Current per 1 module	90 mA
	Chain power consumption	21.6 W
	Chain length	20 pcs / 4.4 m
Diodes	Color temperature	WW - Warm White (3000K) NW - Neutral White (4000K) W - White (7000K) CW - Cold White (10000K)
	Luminous flux (module)	174 lm
	Flux density	161 lm/W
	Lens	175°
	Lifetime	L70B50 > 50k hrs
Connection	Soldering	Yes
	Screw terminal	Yes
Wires	Wire length	150 mm
	Center - center length	220 mm
	Wires	White - red (+), White (-)
Environment	IP protection	IP67
	Temperature	Working: -25°C ... +60°C
Dimension	Height, width, length	10.98 x 16 x 74.1 mm
	Adhesive tape	Yes
Montage	Mounting screw	Yes
	Hole size	M3
	Case material	ABS
Other	Pcs in bag / box	100 / 1200 pcs



## ProLED24-3X-CC220

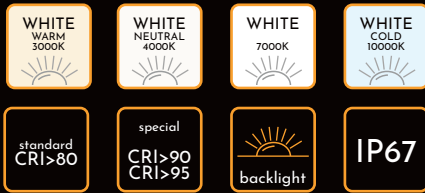
for lightboxes 10 - 20 cm depth  
 X - color of light: W, WW, CW or NW

### Features

- IP67 waterproof, injection molded
- Microlens front side design
- Internal 175 deg lens
- 7 years warranty

### Application

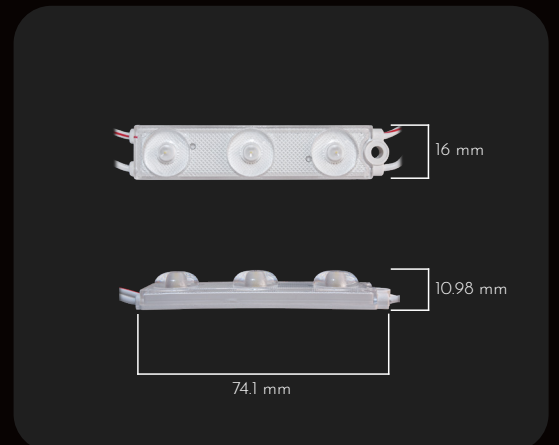
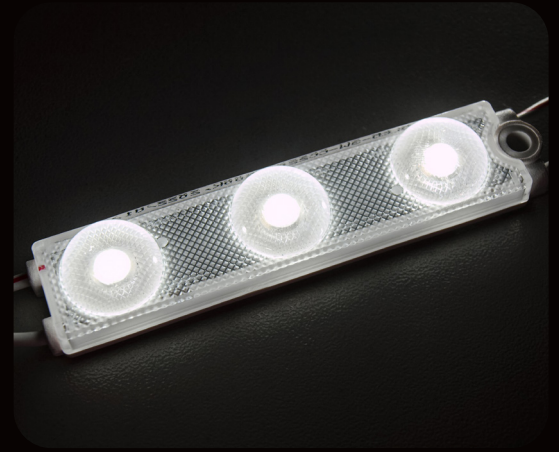
- Backlight in indoor and outdoor lightboxes
- Lightboxes with 10 - 20 cm depth



Power supply	12 W	18 W	24 W	35 W	50 W	60 W	75 W	100 W	120 W	150 W	200 W	300 W
Number of modules	10	15	20	30	42	50	63	83	100	125	167	250

22

Supply	Model	PROLED24-3X-CC220
	Rated voltage	24 V DC
	Power per module	1.08 W
	Current per 1 module	45 mA
Diodes	Chain power consumption	21.6 W
	Chain length	20 pcs / 4.4 m
	Color temperature	WW - Warm White (3000K) NW - Neutral White (4000K) W - White (7000K) CW - Cold White (10000K)
	Luminous flux (module)	WW, NW, CW - 174 lm W - 184 lm
	Flux density	WW, NW, CW - 161 lm/W W - 170 lm/W
	Lens	175°
	Lifetime	L70B50 > 50k hrs
Connection	Soldering	Yes
	Screw terminal	Yes
Wires	Wire length	150 mm
	Center - center length	220 mm
	Wires	White - red (+), White (-)
Environment	IP protection	IP67
	Temperature	Working: -25°C ... +60°C
Dimension	Height, width, length	10.98 x 16 x 74.1 mm
Montage	Adhesive tape	Yes
	Mounting screw	Yes
	Hole size	M3
Other	Case material	ABS
	Pcs in bag / box	100 / 1200 pcs



# ProLED-4X-CC260

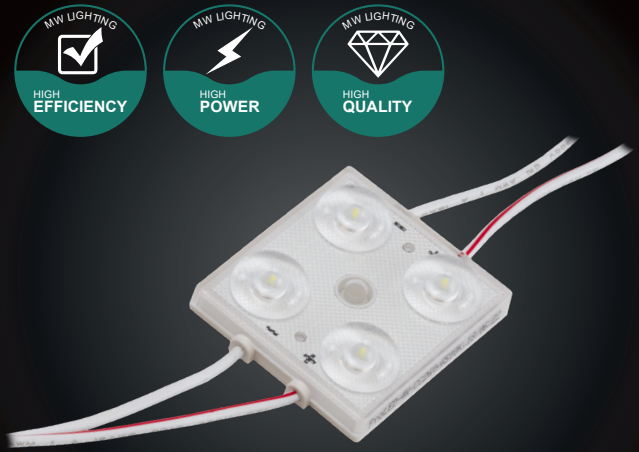
for lightboxes 15 - 25 cm depth  
 X - color of light: W, WW, CW or NW

## Features

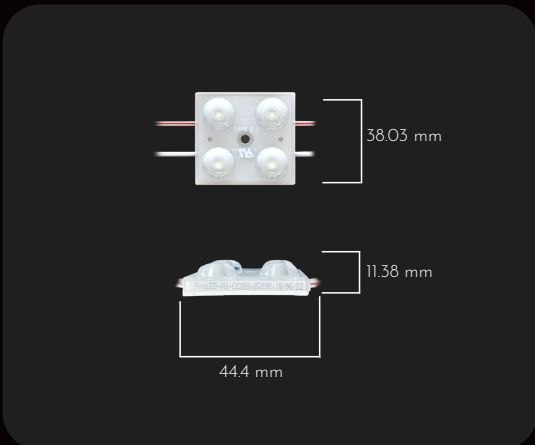
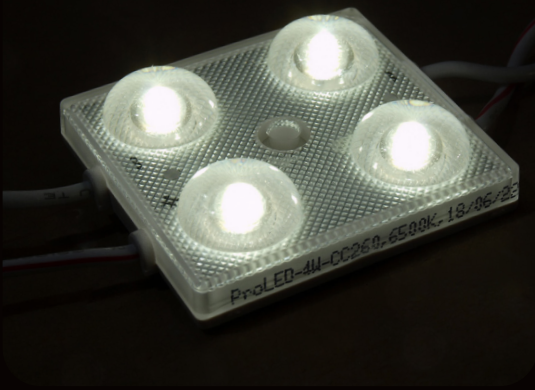
- IP67 waterproof, injection molded
- Microlens front side design
- Internal 175 deg lens
- 7 years warranty

## Application

- Backlight in indoor and outdoor lightboxes
- Lightboxes with 15 - 25 cm depth



Power supply	12 W	18 W	24 W	36 W	50 W	60 W	75 W	100 W	120 W	150 W	200 W	300 W
Number of modules	8	11	15	23	31	38	47	63	75	94	125	188



	Model	PROLED-4X-CC260
Supply	Rated voltage	12 V DC
	Power per module	1.6 W
	Current per 1 module	133 mA
	Chain power consumption	32 W
Diodes	Chain length	20 pcs / 5.2 m
	Color temperature	WW - Warm White (3000K) NW - Neutral White (4000K) W - White (7000K) CW - Cold White (10000K)
	Luminous flux (module)	210 lm
	Flux density	131 lm/W
	Lens	175°
	Lifetime	L70B50 > 50k hrs
	Connection	Soldering
Screw terminal		Yes
Wires	Wire length	216 mm
	Center - center length	260 mm
	Wires	White - red (+), White (-)
Environment	IP protection	IP67
	Temperature	Working: -25°C ... +60°C
Dimension	Height, width, length	11.38 x 38.03 x 44.4 mm
	Adhesive tape	Yes
Montage	Mounting screw	Yes
	Hole size	M3
	Case material	ABS
Other	Pcs in bag / box	100 / 800 pcs



# TEXAS-2W

for lightboxes 5 - 15 cm depth

## Features

- IP65 waterproof
- Cuttable each one piece
- Injection mold technology
- 4 years warranty

## Application

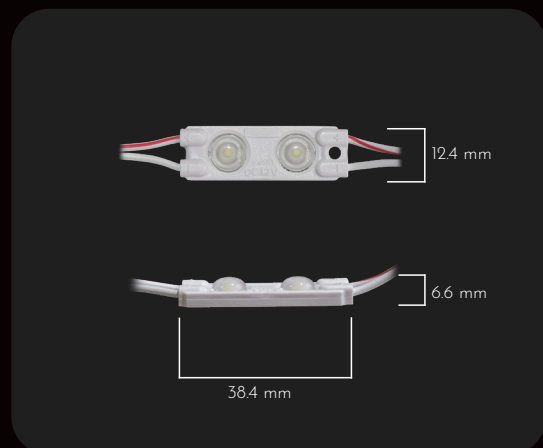
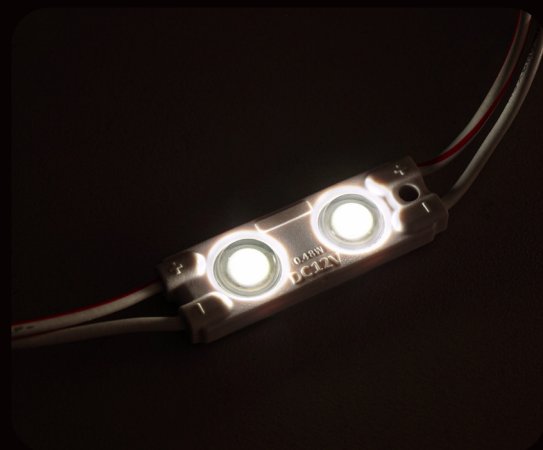
- 3D channel letters
- Lightboxes with 5 - 15 cm depth
- POS systems



Power supply	12 W	18 W	24 W	36 W	50 W	60 W	75 W	100 W	120 W	150 W	200 W	300 W
Number of modules	23	34	45	68	94	113	141	188	225	281	375	563

24

	Model	TEXAS-2W
Supply	Rated voltage	12 V DC
	Power per module	0.48 W
	Current per 1 module	40 mA
	Chain power consumption	9.6 W
Diodes	Chain length	20 pcs / 2.5 m
	Color temperature	White (6500K)
	Luminous flux	42 lm
	Flux density	88 lm/W
	Lens	160°
	Lifetime	L70B50 > 50k hrs
Connection	Soldering	Yes
	Screw terminal	Yes
Wires	Wire length	90 mm
	Center - center length	125 mm
	Wires	White - red (+), White (-)
Environment	IP protection	IP65
	Temperature	Working: -25°C ... +55°C
Dimension	Height, width, length	6.6 x 12.4 x 38.4 mm
Montage	Adhesive tape	Yes
	Mounting screw	Yes
	Hole size	M3
Other	Case material	ABS
	Pcs in bag / box	100 / 3000 pcs





# TEXAS-3X

for lightboxes 5 - 20 cm depth  
 X - color of light: R, G, or B

## Features

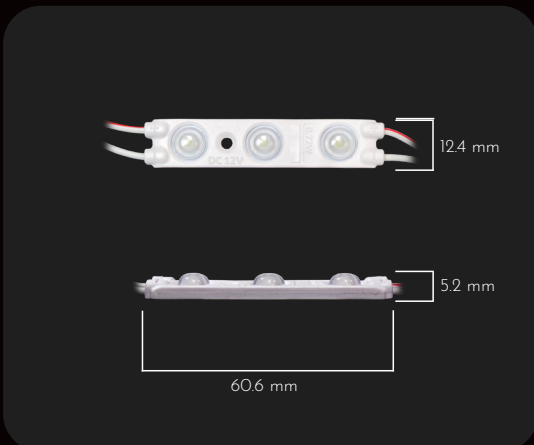
- IP67 waterproof
- Cuttable each one piece
- Injection mold technology
- 4 years warranty

## Application

- 3D channel letters
- Lightboxes with 5 - 20 cm depth
- Backlighting of furniture
- POS systems



Power supply	12 W	18 W	24 W	36 W	50 W	60 W	75 W	100 W	120 W	150 W	200 W	300 W
Number of modules	15	23	30	45	63	75	94	125	150	188	250	375



Supply	Model	TEXAS-3R / -3G / -3B
	Rated voltage	12 V DC
	Power per module	0.72 W
	Current per 1 module	60 mA
	Chain power consumption	14.4 W
Diodes	Chain length	20 pcs / 2.9 m
	Color temperature	R - Red (620 - 625 nm) G - Green (518 - 525 nm) B - Blue (458 - 470 nm)
	Luminous flux	R - Red - 20 lm G - Green - 48 lm B - Blue - 10 lm
	Flux density	95 lm/W
	Lens	160°
Connection	Lifetime	L70B50 > 50k hrs
	Soldering	Yes
Wires	Screw terminal	Yes
	Wire length	70 mm
	Center - center length	130 mm
Environment	Wires	White - red (+), White (-)
	IP protection	IP67
Dimension	Temperature	Working: -25°C ... +55°C
	Height, width, length	5.2 x 12.4 x 60.6 mm
Montage	Adhesive tape	Yes
	Mounting screw	Yes
	Hole size	M3
Other	Case material	ABS
	Pcs in bag / box	100 / 2600 pcs



## TEXAS-3X

for lightboxes 5 - 20 cm depth

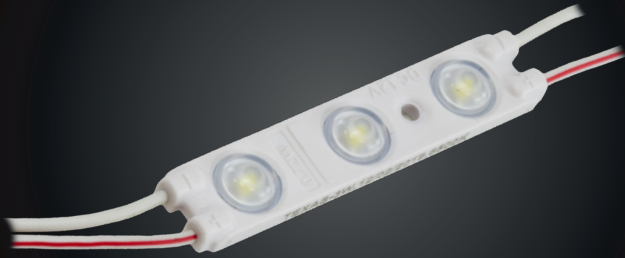
X - color of light: W or CW

### Features

- IP67 waterproof, injection molded
- Cuttable each one piece
- 4 years warranty

### Application

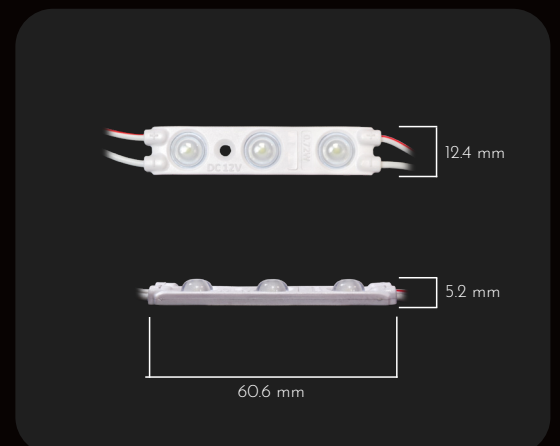
- 3D chanel letters, signage
- Lightboxes with 5 - 20 cm depth
- Backlighting of furniture
- POS systems



Power supply	12 W	18 W	24 W	36 W	50 W	60 W	75 W	100 W	120 W	150 W	200 W	300 W
Number of modules	15	23	30	45	63	75	94	125	150	188	250	375

26

	Model	TEXAS-3W / -3CW
Supply	Rated voltage	12 V DC
	Power per module	0.72 W
	Current per 1 module	60 mA
	Chain power consumption	14.4 W
Diodes	Chain length	20 pcs / 2.9 m
	Color temperature	W - White (6500K) CW - Cold White (9500K)
	Luminous flux	W - 66 lm CW - 71 lm
	Flux density	W - 92 lm/W CW - 99 lm/W
	Lens	160°
	Lifetime	L70B40 > 50k hrs
Connection	Soldering	Yes
	Screw terminal	Yes
Wires	Wire length	70 mm
	Center - center length	130 mm
	Wires	White - red (+), White (-)
Environment	IP protection	IP67
	Temperature	Working: -40°C ... +50°C
Dimension	Height, width, length	5.2 x 12.4 x 60.6 mm
Montage	Adhesive tape	Yes
	Mounting screw	Yes
	Hole size	M3
Other	Case material	ABS
	Pcs in bag / box	100 / 2600 pcs



# ALASKA-1W

for double sided lightboxes 12 - 18 cm depth

## Features

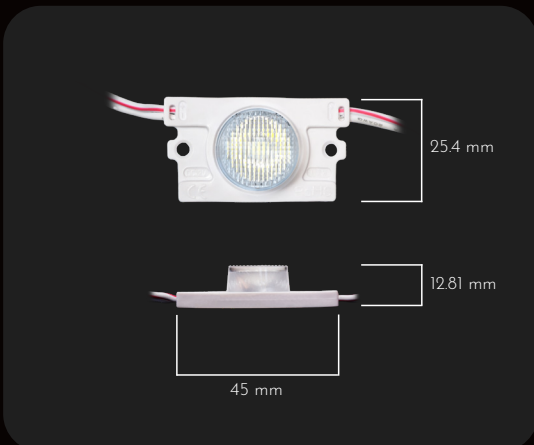
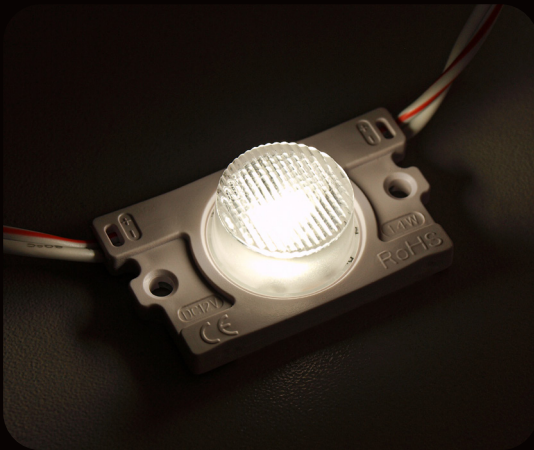
- IP66 waterproof
- Cuttable each one piece
- Injection mold technology
- 4 years warranty

## Application

- 3D channel letters
- Lightboxes with 12 - 18 cm depth
- POS systems



Power supply	12 W	18 W	24 W	36 W	50 W	60 W	75 W	100 W	120 W	150 W	200 W	300 W
Number of modules	9	14	18	27	38	45	56	75	90	113	150	225



	Model	ALASKA-1W
Supply	Rated voltage	12 V DC
	Power per module	1.4 W
	Current per 1 module	116 mA
	Chain power consumption	28W
Diodes	Chain length	20 pcs / 4 m
	Color temperature	White (6500K)
	Luminous flux	130 lm
	Flux density	93 lm/W
	Lens	18 x 50°
	Lifetime	L70B50 > 50k hrs
Connection	Soldering	Yes
	Screw terminal	Yes
Wires	Wire length	135 mm
	Center - center length	180 mm
	Wires	White - red (+), White (-)
Environment	IP protection	IP66
	Temperature	Working: -25°C ... +50°C
Dimension	Height, width, length	12.81 x 25.4 x 45 mm
Montage	Adhesive tape	Yes
	Mounting screw	Yes
	Hole size	M3
Other	Case material	ABS
	Pcs in bag / box	100 / 1200 pcs





## NEBRASKA-1W

for double sided lightboxes 12 - 30 cm depth

### Features

- IP66 waterproof, injection molded
- Cuttable each one piece
- 4 years warranty

### Application

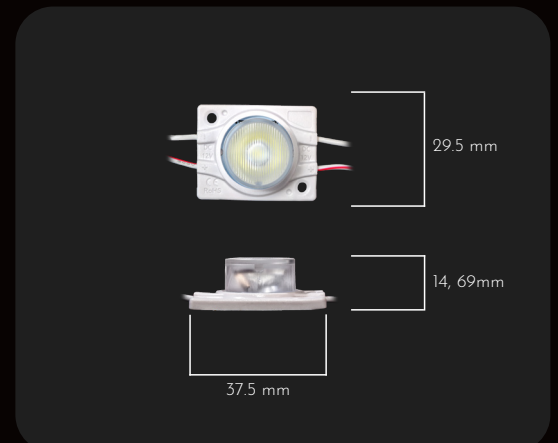
- 3D chanel letters, signage
- Lightboxes with 12 - 30 cm depth
- POS systems



Power supply	12 W	18 W	24 W	36 W	50 W	60 W	75 W	100 W	120 W	150 W	200 W	300 W
Number of modules	5	7	9	14	19	23	28	38	45	56	75	113

28

	Model	NEBRASKA-1W
Supply	Rated voltage	12 V DC
	Power per module	2.4 W
	Current per 1 module	200 mA
	Chain power consumption	48 W
Diodes	Chain length	20 pcs / 4 m
	Color temperature	White (7000K)
	Luminous flux	150 lm
	Flux density	63 lm/W
	Lens	18 x 40°
Connection	Lifetime	L70B50 > 50k hrs
	Soldering	Yes
Wires	Screw terminal	Yes
	Wire length	128 mm
	Center - center length	165 mm
Environment	Wires	White - red (+), White (-)
	IP protection	IP66
Dimension	Temperature	Working: -25°C ... +55°C
	Height, width, length	14.69 x 29.5 x 37.5 mm
Montage	Adhesive tape	Yes
	Mounting screw	Yes
	Hole size	M3
Other	Case material	ABS
	Pcs in bag / box	100 / 1200 pcs



# NEVADA-3X

for lightboxes 8 - 20 cm depth  
 X - color of light: W or CW

## Features

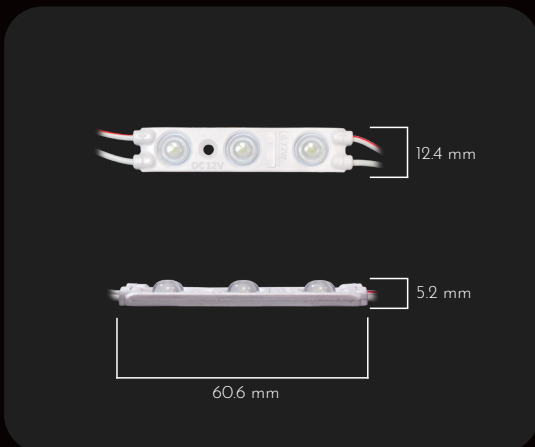
- IP67 waterproof, injection molded
- Cuttable each one piece
- 4 years warranty

## Application

- 3D channel letters, signage
- Lightboxes with 8 - 20 cm depth
- POS systems



Power supply	12 W	18 W	24 W	36 W	50 W	60 W	75 W	100 W	120 W	150 W	200 W	300 W
Number of modules	9	14	19	28	38	47	58	80	92	115	155	228



	Model	NEVADA-3W / -3CW
Supply	Rated voltage	12 V DC
	Power per module	1.2 W
	Current per 1 module	100 mA
	Chain power consumption	24 W
	Chain length	20 pcs / 2.9 m
Diodes	Color temperature	W - White (6500K) CW - Cold White (9500K)
	Luminous flux	W - 120 lm CW - 115 lm
	Flux density	W - 100 lm/W CW - 96 lm/W
	Lens	160°
	Lifetime	L70B50 > 50k hrs
Connection	Soldering	Yes
	Screw terminal	Yes
Wires	Wire length	70 mm
	Center - center length	130 mm
	Wires	White - red (+), White (-)
Environment	IP protection	IP67
	Temperature	Working: -25°C ... +55°C
Dimension	Height, width, length	5.2 x 12.4 x 60.6 mm
Montage	Adhesive tape	Yes
	Mounting screw	Yes
	Hole size	M3
Other	Case material	ABS
	Pcs in bag / box	100 / 2600 pcs



# MW-MLD-MINI-1W-LENS160

for lightboxes 5 - 8 cm depth

## Features

- IP67 waterproof, injection molded
- Internal current stabilization (CC)
- Built-in heat sink plate
- 5 years warranty

## Application

- 3D channel letters



WHITE  
6500K

standard  
CRI > 70

backlight

IP67

160°  
lens

5  
years  
warranty

CE

Power supply	12 W	18 W	24 W	36 W	50 W	60 W	75 W	100 W	120 W	150 W	200 W	300 W
Number of modules	36	54	72	108	150	180	225	300	360	450	600	900

30

Supply	Model	MW-MLD-MINI-1W-LENS160
	Rated voltage	12 V DC +/- 5%
	Power per module	0.36 W
	Current per 1 module	30 mA
Diodes	Chain power consumption	18 W
	Chain length	50 pcs / 2.35 m
	Color temperature	White (6500K)
	Luminous flux	33 lm
	Flux density	92 lm/W
	Lens	160°
Connection	Lifetime	L70B50 > 50k hrs
	Soldering	Yes
Wires	Screw terminal	-
	Wire length	32 mm
	Center - center length	47 mm
Environment	Wires	White - red (+), White (-)
	IP protection	IP67
Dimension	Temperature	Working: -25°C ... +55°C
	Height, width, length	8 x 10.3 x 15.6 mm
Montage	Adhesive tape	Yes
	Mounting screw	-
	Hole size	-
Other	Case material	ABS
	Pcs in bag / box	400 / 5600 pcs



# MW-MLD-5050-3RGBW

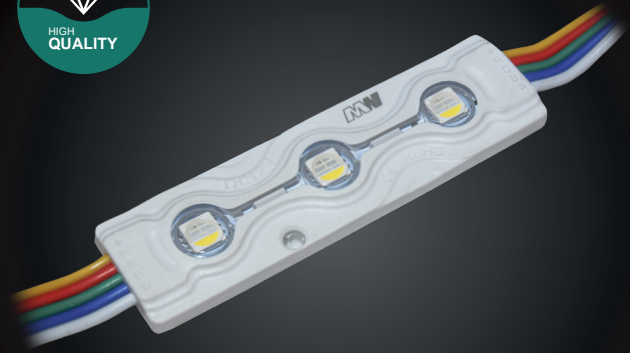
for lightboxes 8 - 25 cm depth

## Features

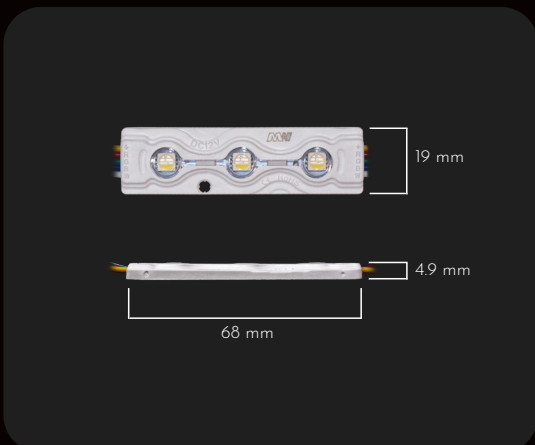
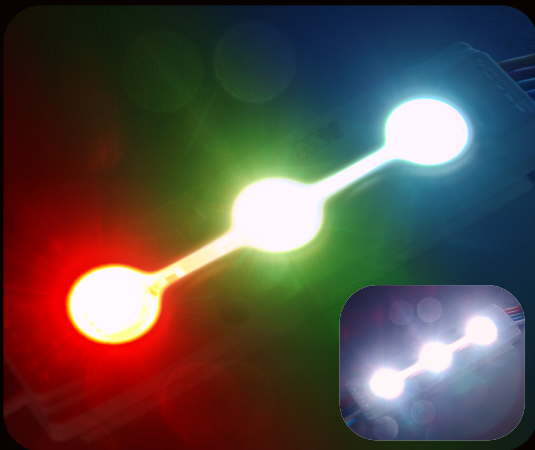
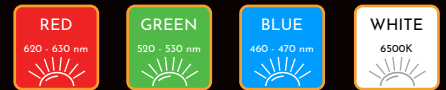
- IP65 waterproof, injection molded
- Internal current stabilization (CC)
- Built-in heat sink plate
- 5 years warranty

## Application

- Letters of light
- Advertising boxes with a depth of 8 - 25 cm
- POS systems
- Backlighting of furniture



Power supply	12 W	18 W	24 W	36 W	50 W	60 W	75 W	100 W	120 W	150 W	200 W	300 W
Number of modules	15	23	30	45	63	75	94	125	150	188	250	375



	Model	MW-MLD-5050-3RGBW
Supply	Rated voltage	12 V DC +/- 5%
	Power per module	0.96 W
	Current per 1 module	80 mA
	Chain power consumption	19.2 W
	Chain length	20 pcs / 5.8 m
Diodes	Color temperature	W - White (6500K) R - Red (620 - 630 nm) G - Green (520 - 530 nm) B - Blue (460 - 470 nm)
	Luminous flux	W - 20 lm R - 4 lm G - 9 lm B - 3.5 lm
	Flux density	21 lm/W
	Lens	120°
	Lifetime	L70B50 > 50k hrs
Connection	Soldering	Yes
	Screw terminal	Yes
Wires	Wire length	107 mm
	Center - center length	175 mm
	Wires	White - red (+), White (-)
Environment	IP protection	IP65
	Temperature	Working: -25°C ... +55°C
Dimension	Height, width, length	4.9 x 19 x 68 mm
Montage	Adhesive tape	Yes
	Mounting screw	Yes
	Hole size	M3
Other	Case material	ABS
	Pcs in bag / box	120 / 1440 pcs



# MW-MLD-CCT-2WW/W-LENS-24V

for lightboxes 5 - 15 cm depth

## Features

- Adjustable color temp
- IP64 waterproof, injection molded
- Internal current stabilization (CC)
- 5 years warranty

## Application

- 3D chanel letters, signage
- Ceiling lighting
- Advertising lightboxes with a dept 5 - 15 cm
- POS systems

## Compatible LED controllers

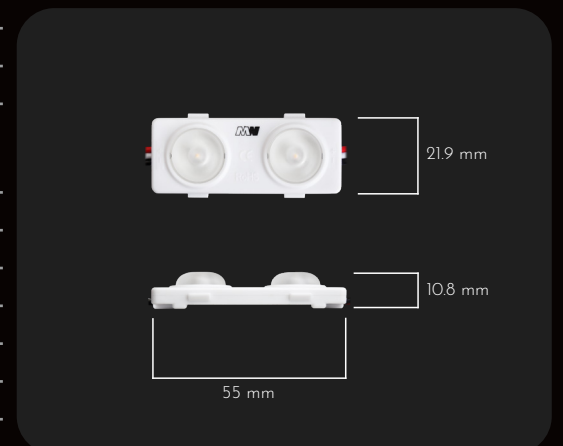
- MW-CTR-CCT-6A-02-RX
- ML-FUTO36
- ML-FUTO36M



Power supply	12 W	18 W	24 W	36 W	50 W	60 W	75 W	100 W	120 W	150 W	200 W	300 W
Number of modules	5	8	11	16	23	27	34	45	54	68	90	135

32

	Model	MW-MLD-CCT-2WW/W-LENS-24V
Supply	Rated voltage	24 V DC +/- 5%
	Power per module	0.96 W
	Current per 1 module	40 mA
	Chain power consumption	19.2 W
Diodes	Chain length	20 pcs / 5.2 m
	Color temperature	WW - Warm White (2700K) W - White (6500K) multi - white adjustable
	Luminous flux	78 lm max
	Flux density	81 lm/W
	Lens	165°
	Lifetime	L70B50 > 50k hrs
Connection	Soldering	Yes
	Screw terminal	Yes
Wires	Wire length	105 mm
	Center - center length	160 mm
	Wires	Red (common +) White (white -) Black (warm white -)
Environment	IP protection	IP64
	Temperature	Working: -25°C ... +50°C
Dimension	Height, width, length	10.8 x 21.9 x 55 mm
Montage	Adhesive tape	Yes
	Mounting screw	-
	Hole size	-
Other	Case material	ABS
	Pcs in bag / box	120 / 960 pcs





# MINIOVAL-1W

for lightboxes 2.5 - 8 cm depth

## Features

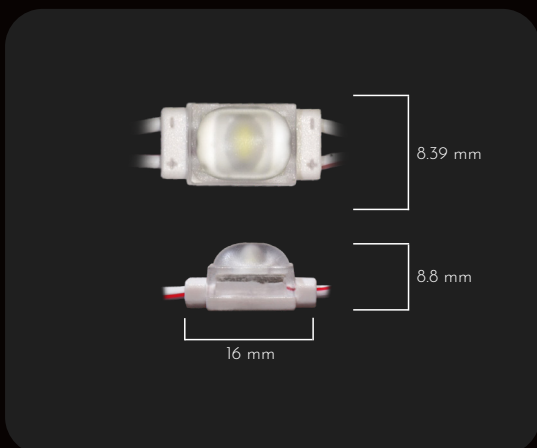
- IP67 waterproof, injection molded
- Internal current stabilization (CC)
- Small Dimension
- 5 years warranty

## Application

- For small and slim 3D signage letters
- Backlighting 2.5 - 8 cm



Power supply	12 W	18 W	24 W	36 W	50 W	60 W	75 W	100 W	120 W	150 W	200 W	300 W
Number of modules	30	45	60	90	125	150	188	250	300	375	500	750



	Model	MINIOVAL-1W
Supply	Rated voltage	12 V DC +/- 5%
	Power per module	0.36 W
	Current per 1 module	30 mA
	Chain power consumption	36 W
	Chain length	100 pcs / 4 m
Diodes	Color temperature	White (6500K)
	Luminous flux	41 lm
	Flux density	114 lm/W
	Lens	170 x 130°
	Lifetime	L70B50 > 50k hrs
Connection	Soldering	Yes
	Screw terminal	Yes
Wires	Wire length	34 mm
	Center - center length	50 mm
	Wires	White - red (+), White (-)
Environment	IP protection	IP67
	Temperature	Working: -25°C ... +55°C
Dimension	Height, width, length	8.8 x 8.39 x 16 mm
Montage	Adhesive tape	Yes
	Mounting screw	-
	Hole size	-
Other	Case material	ABS
	Pcs in bag / box	100 / 6000 pcs



## BoxSide-OVAL-S-W

for one-side and two-side lighboxes min. 6 cm

### Features

- IP67 waterproof, injection molded
- Constant current drive (CC)
- Innovative optic design 11 x 40 deg with arc lens
- Dark corners reducing
- 7 years warranty

### Application

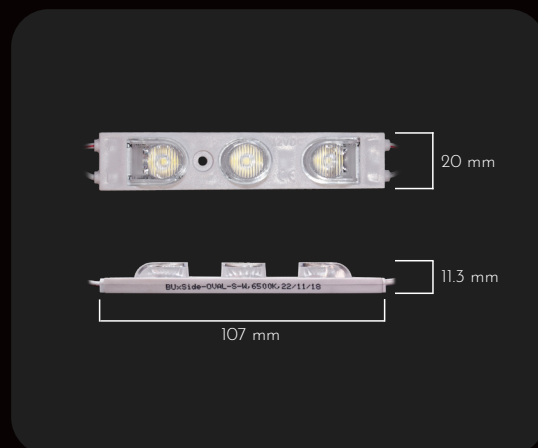
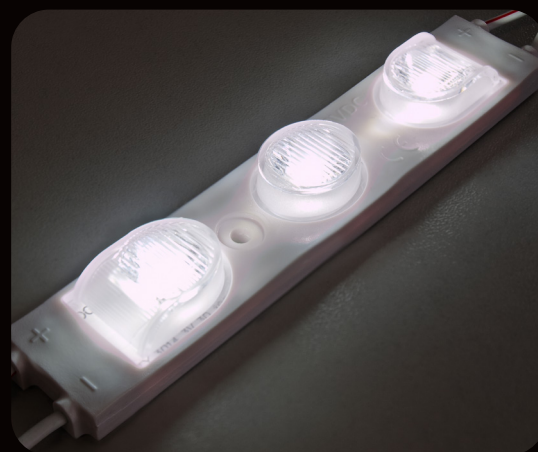
- General signage
- One-side and two-side lighboxes min. 6 cm



Power supply	12 W	18 W	24 W	36 W	50 W	60 W	75 W	100 W	120 W	150 W	200 W	300 W
Number of modules	8	12	16	25	34	41	51	68	82	102	136	205

34

	Model	BoxSide-OVAL-S-X
Supply	Rated voltage	12 V DC +/- 5%
	Power per module	1.3 W
	Current per 1 module	108 mA
	Chain power consumption	52 W
Diodes	Chain length	40 pcs / 7.2 m
	Color temperature	White (6500K)
	Luminous flux	106 lm
	Flux density	82 lm/W
	Lens	11 x 40°
Connection	Lifetime	L70B50 > 70k hrs
	Soldering	Yes
	Screw terminal	Yes
Wires	Wire length	73 mm
	Center - center length	180 mm
	Wires	White - red (+), White (-)
Environment	IP protection	IP67
	Temperature	Working: -25°C ... +55°C
Dimension	Height, width, length	11.3 x 20 x 107 mm
	Adhesive tape	Yes
Montage	Mounting screw	Yes
	Hole size	M3
	Other	Case material
	Pcs in box	560 pcs



# BoxSide-OVAL-M-W

for one-side and two-side lighboxes 2 - 4 m

## Features

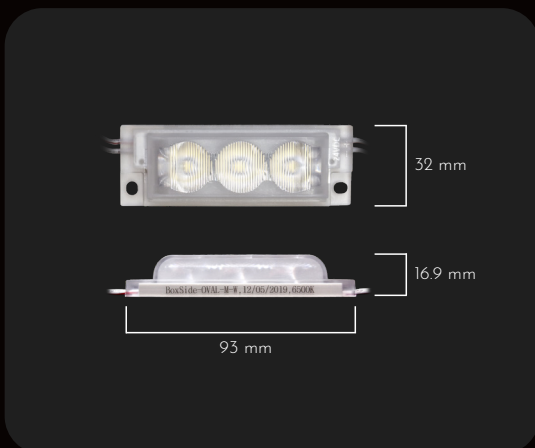
- IP68 waterproof, injection molded
- Constant current drive (CC)
- Innovative optic design 11 x 40 deg with arc lens
- Dark corners reducing
- 7 years warranty

## Application

- General signage
- One-side and two-side lighboxes with length 2 - 4 m

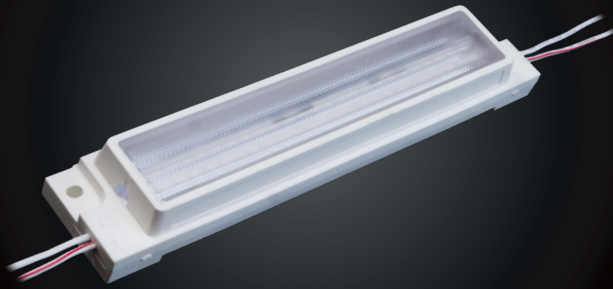


Power supply	12 W	18 W	24 W	36 W	50 W	60 W	75 W	100 W	120 W	150 W	200 W	300 W
Number of modules	4	5	7	11	15	18	23	30	36	45	60	90



	Model	BoxSide-OVAL-M-W
Supply	Rated voltage	24 V DC +/- 5%
	Power per module	3.4 W
	Current per 1 module	142 mA
	Chain power consumption	136 W
Diodes	Chain length	40 pcs / 12 m
	Color temperature	White (6500K)
	Luminous flux	250 lm
	Flux density	74 lm/W
	Lens	11 x 40°
	Lifetime	L70B50 > 70k hrs
Connection	Soldering	Yes
	Screw terminal	Yes
Wires	Wire length	207 mm
	Center - center length	300 mm
	Wires	White - red (+), White (-)
Environment	IP protection	IP68
	Temperature	Working: -25°C ... +55°C
Dimension	Height, width, length	16.9 x 32 x 93 mm
Montage	Adhesive tape	Yes
	Mounting screw	Yes
	Hole size	M3
Other	Case material	ABS
	Pcs in box	320 pcs





## BoxSide-OVAL-L-W

for one-side and two-side lighboxes min. 1.5 - 4 m

### Features

- IP67 waterproof, injection molded
- Constant current drive (CC)
- Innovative optic design 11 x 77 deg lens
- Highest lighting flux
- 7 years warranty

### Application

- General signage
- One-side and two-side lighboxes min 1.5 - 4 m



Power supply	12 W	18 W	24 W	36 W	50 W	60 W	75 W	100 W	120 W	150 W	200 W	300 W
Number of modules	2	2	3	5	6	8	9	13	15	19	25	38

36

	Model	BoxSide-OVAL-L-W
Supply	Rated voltage	24 V DC +/- 5%
	Power per module	7.4 W
	Current per 1 module	308 mA
	Chain power consumption	118.4 W
Diodes	Chain length	16 pcs / 5.6 m
	Color temperature	White (6500K)
	Luminous flux	550 lm
	Flux density	74 lm/W
	Lens	11 x 75°
Connection	Lifetime	L70B50 > 70k hrs
	Soldering	Yes
	Screw terminal	Yes
Wires	Wire length	175 mm
	Center - center length	350 mm
	Wires	White - red (+), White (-)
Environment	IP protection	IP67
	Temperature	Working: -25°C ... +55°C
Dimension	Height, width, length	21.4 x 36 x 175 mm
Montage	Adhesive tape	Yes
	Mounting screw	Yes
	Hole size	M3
Other	Case material	ABS
	Pcs in box	112 pcs



# MW-MLD-FLAT-1X-LENS170

for lightboxes. 3 - 10 cm depth

X - color of light: W or NW

## Features

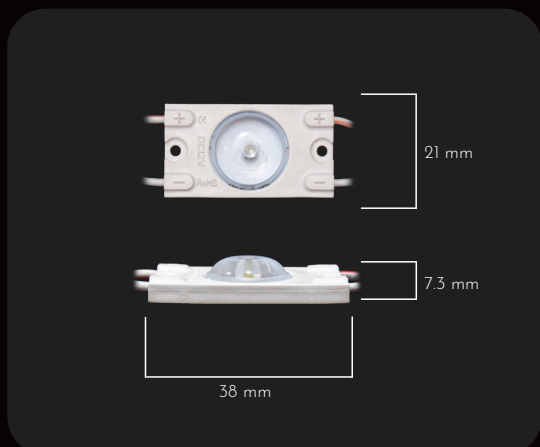
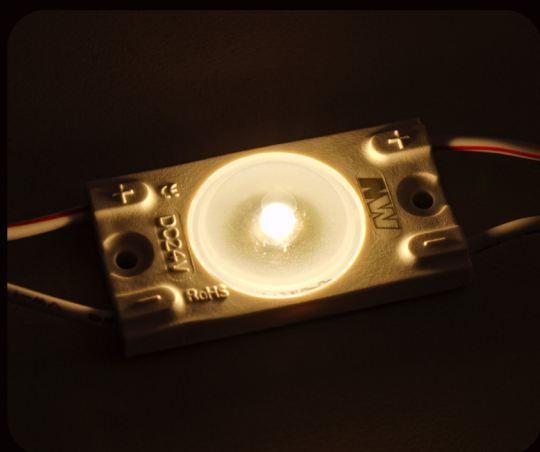
- IP67 waterproof, injection molded
- Internal current stabilization (CC)
- Built-in heat sink plate
- 5 years warranty

## Application

- Letters of light
- Advertising lightboxes 3 - 10 cm depth
- POS systems

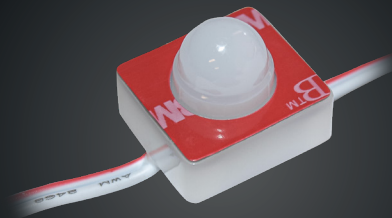


Power supply	12 W	18 W	24 W	36 W	50 W	60 W	75 W	100 W	120 W	150 W	200 W	300 W
Number of modules	11	17	23	34	47	56	70	94	113	141	188	281



	Model	MW-MLD-2835-1X-LENS170
Supply	Rated voltage	12 V DC +/- 5%
	Power per module	0.98 W
	Current per 1 module	82 mA
	Chain power consumption	29.4 W
Diodes	Chain length	30 pcs / 5.2 m
	Color temperature	NW - Neutral White (4000K) W - White (6500K)
	Luminous flux	80 lm
	Flux density	82 lm/W
	Lens	170°
Connection	Lifetime	L70B40 > 50k hrs
	Soldering	Yes
Wires	Screw terminal	Yes
	Wire length	112 mm
	Center - center length	150 mm
Environment	Wires	White - red (+), White (-)
	IP protection	IP67
Dimension	Temperature	Working: -25°C ... +55°C
	Height, width, length	7.3 x 21 x 38 mm
Montage	Adhesive tape	Yes
	Mounting screw	-
	Hole size	-
Other	Case material	ABS
	Pcs in bag / box	120 / 1920 pcs





# MW-MLD-PIXEL-1X

for channel letters

X - color of light: W, R or G

## Features

- IP68 waterproof, injection molded
- Constant current drive (CC)
- Internal current stabilization (CC)
- Wide Color palette
- UV resistant
- 5 years warranty

## Application

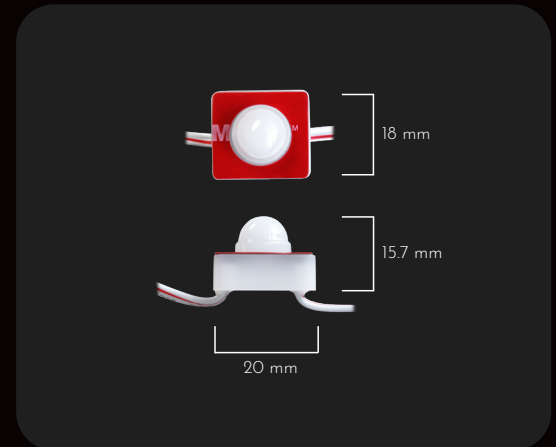
- Chanel letters
- Pharmacy crosses

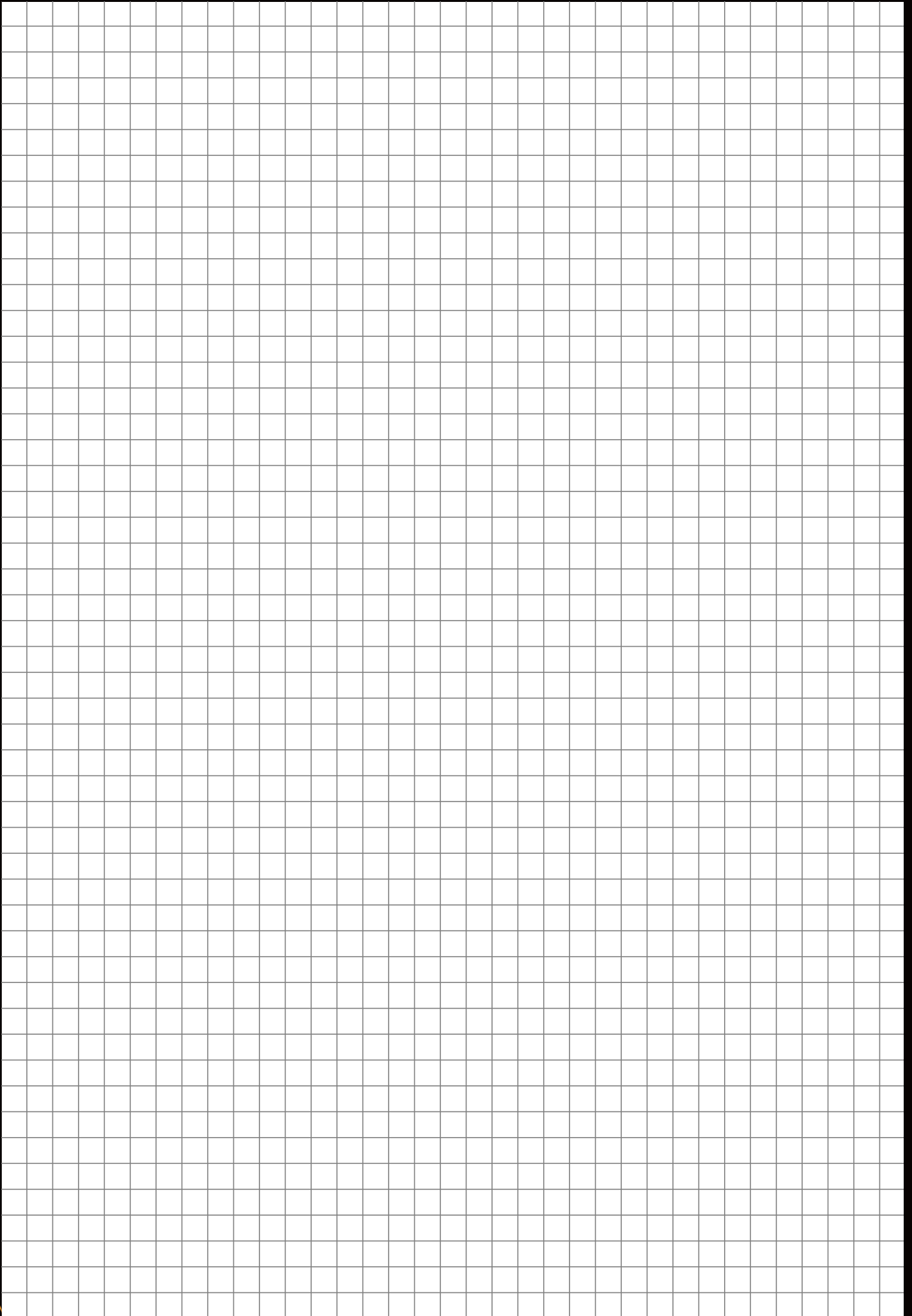


Power supply	12 W	18 W	24 W	36 W	50 W	60 W	75 W	100 W	120 W	150 W	200 W	300 W
Number of modules	30	45	60	90	125	150	188	250	300	375	500	750

38

Supply	Model	MW-MLD-PIXEL-1R / -1G / 1W
	Rated voltage	12 V DC +/- 5%
	Power per module	0.36 W
	Current per 1 module	30 mA
Diodes	Chain power consumption	18 W
	Chain length	50 pcs / 4.5 m
	Color temperature	R - Red (620 - 630 nm) G - Green (520 - 530 nm) W - White (6500K)
	Luminous flux	R - 21 lm G - 4.5 lm W - 29 lm
Connection	Flux density	R - 58 lm/W G - 12.5 lm/W W - 81 lm/W
	Lens	145°
	Lifetime	L70B50 > 50k hrs
Wires	Soldering	-
	Screw terminal	-
Environment	Wire length	65 mm
	Center - center length	86 mm
Dimension	Wires	White - red (+), White (-)
	IP protection	IP68
Montage	Temperature	Working: -25°C ... 55°C
	Height, width, length	18 x 20 x 15.7 mm
Other	Adhesive tape	-
	Mounting screw	-
	Hole size	-
Other	Case material	ABS, PC cover
	Pcs in bag / box	100 / 1000 pcs







DISTRIBUTOR:

The brochure and all information contained therein, in particular trademarks, graphic compositions and colors, are the property of MPL Group and are protected by law. Copying or other use, as well as arranging one's own offer similar to that presented in the brochure, is an act of unfair competition according to articles 10 and 13 of the Act on Combating Unfair Competition.

Presented photos are for illustrative purposes only. Due to the technique and conditions of taking pictures, the actual appearance of products may differ from the one presented in the catalogue.