

# MPL®

## GROUP



NEW BRANCH IN ZABRZE



# MPL GROUP BRANDS

PRODUCT CATALOGUE:

- Power Supply
- LED Modules
- LED Neon
- LED Strips
- LED Profiles

# MPL<sup>®</sup>

## GROUP

MPL Group is a Polish corporate group established in 2005. It currently associates 11 companies operating on the industrial electronics market.

Over the time it started to expand its offer with new brands and entered the markets of LED lighting, batteries, renewable energy sources and CCTV products becoming their leader in Central Europe. What is more, MPL Group supplies over 15mln devices in EU per year.

Successful cooperation with many distributors and world wide producers has contributed rapid development of the group which currently employs over 200 qualified specialists.

Thanks to our own brands MW Power, Global Leader Power (GLP), POS Power and Adler Power, whose devices are used both in the industrial market and household, our devices are present almost everywhere: lighting, advertising, ventilation, railroad, mining, automation, fiscal equipment, monitoring, security, kitchen, bathroom, sauna, store, restaurant, etc.

In addition, MPL Group offers Gel and AGM batteries, battery packs of its own production, CCTV and security equipment, UPS, air conditioning, which enables its presence in the development market, new investments and supermarkets. Since 2010, thanks to MPL Energy, the Group has been present on the renewable energy market. Our portfolio includes several hundred PV installations, including the largest rooftop installation in Poland – Chopin Airport in Warsaw.

Since of 2019, MPL Group has held a stake in GLALU, a Polish manufacturer of aluminum profiles. The offer includes innovative lighting and PV profiles.

MPL Group is committed to the highest level of customer service, transparent communication, service and technical and financial support. We cooperate with over 20 000 customers per year, currently also through the B2B system.

In 17 years of existence, we have sold more than 100 million devices. In the coming years, the MPL GROUP will continue to develop its own brands to meet the requirements and needs of our current and future customers.

We invite you to cooperation!

We are your reliable partner in business!



We are laureate of the prestigious Forbes Diamonds 2022 award



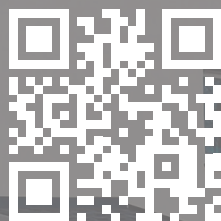
+48 32 44 00 950



[www.mplgroup.pl](http://www.mplgroup.pl)



ul. Handlowa 13  
41-807 Zabrze



[www.megabat.pl](http://www.megabat.pl)



[www.ips-heat.eu](http://www.ips-heat.eu)



[www.glpower.eu](http://www.glpower.eu)



[www.pospower.pl](http://www.pospower.pl)



[www.mwpower.pl](http://www.mwpower.pl)



[www.mwlighting.pl](http://www.mwlighting.pl)



[www.glalu.pl](http://www.glalu.pl)



[www.ips-ups.eu](http://www.ips-ups.eu)

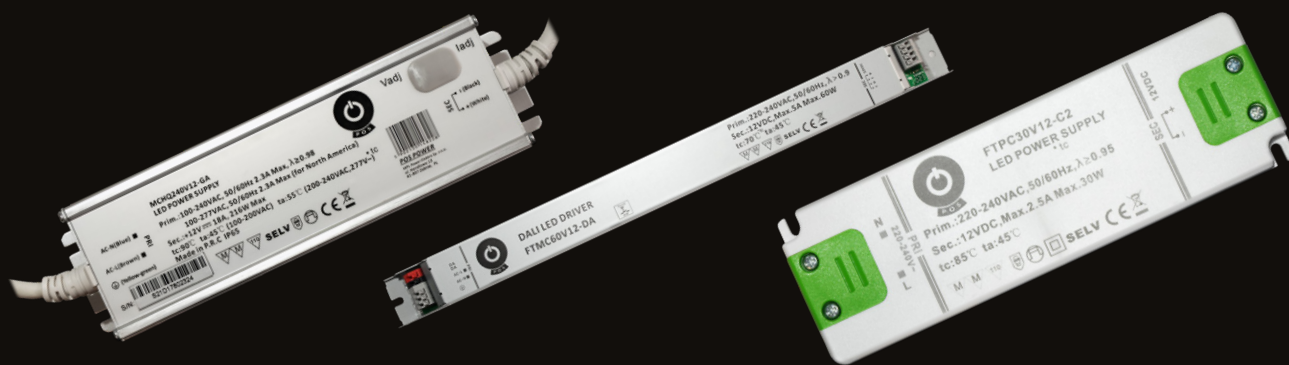
# Table of Contents

CPV series.....	6	ALASKA-1W.....	59
GEMC series.....	7	NEBRASKA-1W.....	60
series.....	7	NEVADA-3X.....	61
GLSV series.....	8	MW-MLD-MINI-1W-LENS160.....	62
GLG series.....	9	MW-MLD-5050-3RGBW.....	63
GPVP series.....	9	MW-MLD-CCT-2WW/W-LENS-24V.....	64
GPC series.....	10	MINIOVAL-1W.....	65
GPCP series.....	10	BoxSide-OVAL-S-W.....	66
GPF series.....	11	BoxSide-OVAL-M-W.....	67
AGV/AGC series.....	11	BoxSide-OVAL-L-W.....	68
GTPC-S-DA series.....	12	MW-MLD-FLAT-1X-LENS170.....	69
GTPC-S series.....	12		
GTMC-D series.....	13	UQS-COB series.....	70
GTPC-D series.....	13	HQS-COB series.....	71
DL2 series.....	14	HQS-6W-6OLED series.....	72
MRS series.....	15	HQS-9.6W-12OLED series.....	73
MFS series.....	16-17	HQS-12W-6OLED series.....	74
		HQS-RGB series.....	75
FTPC series.....	18	HQS-3527 series.....	76
FTPC-C2 series.....	18	UHQO-2835 series.....	77
FTPC-D series.....	19	UHF-6W-6OLED serie.....	78
FTPC-PL series.....	19	UHQH-2014 series.....	79
FTPC-E series.....	20	UHQD-2835.....	80
FTPC-L series.....	20	UHQN-2014 series.....	81
FTPC-S2 series.....	21	UHQE-3014 series.....	82
series.....	22	LC-2835 series.....	83
FTPC-FP2 series.....	22	LC-5050 series.....	84
FTPC-S-DA6 series.....	23	4S-CON serie.....	85
FTMC-S-DA8 series.....	23	CLICK series.....	86
FTPC-S-PCT-PDS series.....	24	MW-CTR series.....	87
FTPC-VFC series.....	24	MW-CTR, E-CONTROL series.....	88
FTPC-ZIGBEE-CB series.....	25	HE-WD, HE-WZ series.....	89
FTPC-ZIGBEE series.....	25	HE-WUN, HE-WZB, HE-WDS, HE-WBL series.....	90
FTPC-CC series.....	25		
FTPC series sensors series.....	26-27	SUFRACTE PROFILE ALI2-GLS1.....	91
MCHQ-GA series.....	28	SUFRACTE PROFILE ALI2-GLS2.....	91
MCHQ-GE series.....	29	ACCESSORIES for ALI2-GLS1-2.....	92
POS-C2 series.....	30	SUFRACTE PROFILE ALI2-GLS3.....	93
FTPC-S-DA6 series.....	30	SUFRACTE PROFILE ALI2-GLS4.....	93
DIN class II series.....	31	ACCESSORIES for ALI2-GLS3-4.....	94
MDIN class I series.....	31	RECESSED PROFILE ALI2-GLC1.....	95
POS ADAPTER series.....	32	RECESSED PROFILE ALI2-GLC2.....	95
POSB ADAPTER series.....	33	RECESSED PROFILE ALI2-GLC3.....	95
POSC ADAPTER series.....	34	ACCESSORIES for ALI2-GLG1-3.....	96
POSC DESKTOP series.....	35	CORNER PROFILE ALI2-GLC1.....	97
		CORNER PROFILE ALI2-GLC2.....	97
MW-MLD-PIXEL-1X.....	36	ACCESSORIES for ALI2-GLC1-2.....	98
MW-SAMSUNG-3W.....	37	RECESSED PROFILE ALI2-GLC5.....	99
MW-MLD-HE-1X-LENS170.....	38	PROFILE COVERS.....	100
MW-MLD-HE-2X-LENS170.....	39	PROFILE SETS.....	101-102
MW-MLD-HE-3X-LENS170.....	40		
MW-MLD-HE-4X-LENS170.....	41	LINE - INTERACTIVE WITH MODIFIED SINE WAVE.....	104
MW-MLD-2835-1W-LENS.....	42	MRC19 19" WALL - MOUNTED CASE.....	105
MW-MLD-2835-2X-LENS.....	43	PURE SINE HOME INVENTERS.....	105-106
MW-MLD-2835-3X-LENS.....	44	LINE - INTERACTIVE WITH PURE SINE WAVE.....	107
MW-MLD-2835-4X-LENS.....	45	MRC19 19" WALL - MOUNTED CASE.....	108
MW-MLD-3030-1X-LENS.....	46	BATTERIES.....	108
MW-MLD-3535-3W-LENS-C1.....	47	BATTERY BALANCERS.....	108
		HEATING FILMS.....	109
MISSOURI-1W.....	48		
ProLED-MINI-2X-CC070.....	49		
ProLED-MINI-3X-CC100.....	50		
ProLED-1X-CC100.....	51		
ProLED-2X-CC180.....	52		
ProLED-3X-CC220.....	53		
ProLED24-3X-CC220.....	54		
ProLED-4X-CC260.....	55		
TEXAS-2W-CC125.....	56		
TEXAS-3X.....	57-58		



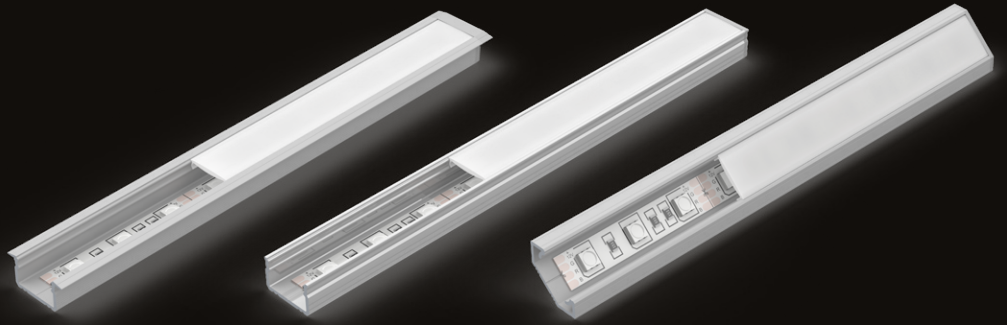
Global Leader Power brand was established in 2012 as a response to growing needs of clients from LED and automation industry. It was based on the experience of the biggest LED power supplies and LED drivers supplier in the Middle Europe. At present GLP products are offered all around the Europe. Our motto are transparent rules of cooperation, distribution and responsible creation of brand image.

Our portfolio includes: LED power supplies, module power supplies, batteries



POS Power (Point-Of-Sale) brand represents by definition products dedicated to advertising producers, mainly used for decorative illumination. POS Power products meet the most demanding standards. The brand's portfolio is being updated on a regular basis with new categories.

Our portfolio includes: LED power supplies, adapters/desktops, module power supplies, CCTV and alarm system power supplies.





## Features:

- Universal AC input / Full range (except GPV-18)
- Constant voltage design
- Cooling by free air convection
- 100% full load burn-in test
- Isolation class II
- Fully encapsulated with IP67 level
- Excellent quality / price ratio
- Up to 5 years warranty



	DC voltage	Rated current	Rated power	Protections	Safety & EMC regulations	Working temperature	Dimensions (L x W x H)	Weight		
GPV-12	12 V	1 A	12 W	short circuit, over current, over voltage	EN55015, EN61347-2-13	-30°C – +70°C	129.5 x 25 x 20 mm	0.13 kg		
	24 V	0.50 A					129.5 x 25 x 21 mm	0.15 kg		
GPV-18	12 V	1.5 A	18 W	short circuit, over current	EN55015, EN61347-2-13, UL62368-1 (24V)		140 x 32 x 25 mm	0.20 kg		
	24 V	0.75 A					148 x 32 x 28 mm	0.20 kg		
GPV-20	5 V	3 A	15 W	short circuit, over current, over voltage, over temperature			EN55015, EN61347-2-13, UL62368-1 (24V)	140 x 32 x 25 mm	0.20 kg	
	12 V	2 A	24 W							
	15 V	1.33 A	20 W							
	24 V	1 A	24 W							
GPV-35	5 V	6 A	30 W	short circuit, over current, over voltage				EN55015, EN61347-2-13, UL62368-1 (24V)	148 x 32 x 28 mm	0.20 kg
	12 V	3 A	36 W							
	15 V	2.4 A								
	24 V	1.5 A								
GPV-50	12 V	4.2 A		50.4 W	short circuit, over current, over voltage, over temperature	EN55015, EN61347-2-13, UL62368-1 (24V)			148 x 40 x 34 mm	0.34 kg
	24 V	2.1 A								
GPV-60	5 V	8 A	50 W	short circuit, over current, over voltage	EN55015, EN61347-2-13, UL62368-1 (24V)		162 x 42 x 33 mm		0.39 kg	
	12 V	5 A	60 W							
	15 V	4 A								
	24 V	2.5 A								
GPV-75	12 V	6 A		72 W			short circuit, over current, over voltage	EN55015, EN61347-2-13, UL62368-1 (24V)	162 x 42 x 33 mm	0.38 kg
	24 V	3 A								
GPV-100	12 V	8.3 A	99.6 W	short circuit, over current, over voltage			EN55015, EN61347-2-13, UL62368-1 (24V)		187 x 52 x 37 mm	0.62 kg
	24 V	4.2 A								
	36 V	2.8 A								
GPV-120	12 V	10 A	120 W	short circuit, over current, over voltage, over temperature		EN55015, EN61347-2-13			203 x 70 x 45 mm	1.15 kg
	24 V	5 A								
GPV-150N	12 V	12.5 A	150 W	short circuit, over current, over voltage, over temperature	EN55015, EN61347-2-13				203 x 70 x 45 mm	1.15 kg
GPV-150	24 V	6 A								
GPV-200	12 V	16 A	192 W	short circuit, over current, over voltage, over temperature					EN55015, EN61347-2-13	203 x 70 x 45 mm
	24 V	8.3 A						205 x 70 x 45 mm		
			200 W							

# GEMC 75 – 320 W waterproof (IP67)



## Features:

- Universal AC input / Full range
- Single channel output with CV direct current
- Built-in active PFC function
- Meet DALI protocol IEC 62386-2/07
- Support Touch DIM (Push DIM) function
- Ultra-thin design
- Waterproof level IP67
- Up to 5 years warranty



	DC voltage	Rated current	Rated power	Protections	Safety & EMC regulations	Working temperature	Dimensions (L x W x H)	Weight		
GEMC-75-DA	12 V	6.25 A	75 W	short circuit, overload, over voltage, lightning protection	EN55015, EN61347-1, EN61347-2-13, EN61000-4-2, -3, -4, -5, -6, -8, -11, EN61000-3-3, EN61000-3-2 Class C	-25°C – +60°C	290 x 61 x 25 mm	0.82 kg		
	24 V	3.13 A								
GEMC-100-DA	12 V	8.34 A	100 W							
	24 V	4.17 A								
GEMC-150-DA	12 V	12.5 A	150 W							
	24 V	6.25 A								
GEMC-240-DA	12 V	16.6 - 20 A	200 - 240 W				-25°C – +50°C	270 x 68 x 30 mm	1.05 kg	
	24 V	10 A								240 W
GEMC-320-DA	24 V	13.3 A	320 W					-25°C – +60°C	290 x 90 x 32 mm	1.7 kg

# GV6 75 - 350 W waterproof (IP67)

## Features:

- EU input voltage range: 176 ~ 264 V AC
- Constant voltage output
- PF > 0.97 (230 V input / full load)
- Surge protection: 6 KV line-line, 10 KV line-earth
- Protections: SCP, OVP, OTP
- IP67 design for indoor and outdoor applications
- Suitable for dry / damp / wet locations
- 5 years warranty



	Output voltage	Output current	Output power	Safety & EMC regulations	Working temperature	Dimensions (L x W x H)
GV6-075	12 V	0~6.25 A	75W	EN55015, EN61000-3-2, EN61000-3-3, EN61000-4-2,3,4,5,6,11	-40°C – +75°C	137.5 x 67.2 x 37 mm
	24 V	0~0.70 A				
	36 V	0~0.86 A				
GV6-100	12 V	0~8.30 A	100W			
	24 V	0~4.20 A				147.5 x 67.2 x 37 mm
	36 V	0~2.80 A				
GV6-150	12 V	0~12.50 A	150W			
	24 V	0~6.30 A				162.5 x 67.2 x 37 mm
	36 V	0~4.20 A				
GV6-200	24 V	0~8.40 A	200W			
	36 V	0~5.60 A				
GV6-240	24 V	0~10.00 A	240W			
	36 V	0~6.70 A				193.5 x 67.2 x 37 mm
GV6-320	12 V	0~26.70 A	320W			
	24 V	0~13.40 A				
	36 V	0~8.90 A				
	48 V	0~6.70 A				
GV6-350	12 V	0~14.60 A	350W			
	24 V	0~9.80 A				
	36 V	0~7.30 A				



## Features:

- Universal AC input / Full range up to 305 V AC
- Constant voltage design
- Built-in active PFC function, PF > 0.96 (@230 V AC, full load)
- Surge immunity: DM-5 KV, CM-10 KV
- IP67 design for indoor and outdoor applications
- Isolation class I
- Up to 7 years warranty



	Output voltage	Output current	Output power	Protections	Safety & EMC regulations	Working temperature	Dimensions (L x W x H)	Weight
<b>GLSV-035B</b>	12 V 24 V 36 V 48 V	2.92 A 1.46 A 0.98 A 0.73 A	35 W	short circuit, over voltage, over current, over temperature	EN55015, EN61000-3-2	-40°C – +70°C	199 x 42.5 x 34 mm	0.51 kg
<b>GLSV-050B</b>	12 V 24 V 36 V 48 V	4.17 A 2.10 A 1.40 A 1.05 A	50 W					
<b>GLSV-075B</b>	12 V 24 V 36 V 48 V	6.25 A 3.13 A 2.08 A 1.56 A	75 W			-40°C – +60°C	164 x 68 x 39 mm	0.68 kg
<b>GLSV-100B</b>	12 V 24 V 36 V 48 V	8.33 A 4.17 A 2.78 A 2.08 A	100 W					
<b>GLSV-150B</b>	12 V 24 V 36 V 48 V	12.50 A 6.25 A 4.17 A 3.13 A	150 W			-40°C – +60°C	207 x 68 x 39 mm	0.90 kg
<b>GLSV-200B</b>	12 V 24 V 36 V 48 V	16.67 A 8.33 A 5.56 A 4.17 A	200 W					
<b>GLSV-320B</b>	12 V 24 V 36 V 48 V	22.00 A 13.33 A 8.90 A 6.67 A	320 W			-40°C – +60°C	234 x 98 x 40 mm	1.75 kg







### Features:

- Universal AC input / Full range
- CV + CC mode power supply
- Built-in active PFC function
- Cooling by free air convection
- 100% full load burn-in test
- IP 67 level (GLG-60, GLG-200, GLG-300)
- IP 65 level (GLG-100, GLG-150)
- Built-in potentiometers to adjust output voltage and current (GLG-100, GLG-150)
- Up to 5 years warranty



☐ ⚡ ⚡ IP65/67 CE SELV

	DC voltage	Rated current	Rated power	Protections	Safety & EMC regulations	Working temperature	Dimensions (L x W x H)	Weight	
GLG-60	12 V	5 A	60 W	short circuit, over current, over voltage	EN55015, EN61347-2-13, EN61000-3-2 Class C	-30°C – +70°C	175 x 56 x 38 mm	0.70 kg	
	24 V	2.5 A					216 x 66 x 40 mm	0.95 kg	
GLG-100	6~12 V	8.5 A	102 W	short circuit, over current, over voltage, over temperature			221 x 70 x 45 mm	1.15 kg	
	12~24 V	4.2 A	100.8 W				242 x 96 x 50 mm	1.80 kg	
GLG-150	9~12 V	12.5 A	150 W				151.2 W	285 x 96 x 50 mm	2.20 kg
	18~24 V	6.3 A	151.2 W						
GLG-200	12 V	16.6 A	199.2 W		199.92 W				
	24 V	8.33 A	199.92 W						
GLG-300	12 V	25 A	300 W						
	24 V	12.5 A							

# GPVP 25 – 120 W waterproof IP67)

### Features:

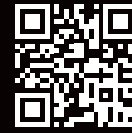
- Universal AC input / Full range
- Constant voltage design
- Built-in active PFC function, PF > 0.9
- Cooling by free air convection
- Plastic case, double isolation cables
- 100% full load burn-in test
- Fully encapsulated with IP67 level
- Excellent quality / price ratio
- Up to 5 years warranty



☐ ⚡ ⚡ IP67 CE SELV

	DC voltage	Rated current	Rated power	Protections	Safety & EMC regulations	Working temperature	Dimensions (L x W x H)	Weight
GPVP-25	12 V	2 A	24 W	short circuit, over current, over voltage, over temperature	EN55015, EN61347-1, EN61347-2-13	-30°C – +70°C	138 x 42.5 x 34 mm	0.36 kg
	24 V	1 A					149 x 32 x 28 mm	0.23 kg
GPVP-40	12 V	3.5 A	36 W	short circuit, over current			162 x 42 x 33 mm	0.40 kg
	24 V	1.7A	36 W					
GPVP-60N	12 V	5A	60 W	short circuit, over current, over voltage			190 x 63 x 38 mm	0.39 kg
	24 V	2.5 A					250 x 70 x 45 mm	1.05 kg
GPVP-90	12 V	7.5 A	90 W	short circuit, overload over current, over voltage, over temperature				
	24 V	3.75 A						
GPVP-120	12 V	10 A	120 W					
	24 V	5 A						

# GPC 9 – 60 W waterproof (IP67)



## Features:

- Universal AC input / Full range
- Constant current design
- Output current versions: 350 mA, 700 mA, 1050 mA, 1400 mA, 1750 mA
- Cooling by free air convection
- 100% full load burn-in test
- Isolation class II
- Fully encapsulated with IP67 level
- Excellent quality / price ratio
- Up to 3 years warranty



	DC voltage	Rated current	Rated power	Protections	Safety & EMC regulations	Working temperature	Dimensions (L x W x H)	Weight		
GPC-9	3~24 V	350 mA	8.4 W	short circuit, over temperature	EN55015, EN61347-2-13	-30°C – +70°C	129.5 x 25 x 20 mm	0.13 kg		
	2~12 V	700 mA					140 x 32 x 25 mm	0.20 kg		
GPC-20	9~48 V	350 mA	16.8 W	short circuit			149 x 32 x 28 mm	0.25 kg		
	3~28 V	700 mA	19.6 W							
GPC-35	30~80 V	350 mA	28 W	short circuit			EN55015, EN61347-2-13	-30°C – +70°C	149 x 32 x 28 mm	0.25 kg
	9~48 V	700 mA	33.6 W							
	9~30 V	1050 mA	31.5 W							
GPC-60	9~24 V	1400 mA	33.6 W	short circuit			EN55015, EN61347-2-13	-30°C – +70°C	162 x 42 x 33 mm	0.36 kg
	12~60 V	1050 mA	63 W							
	9~42 V	1400 mA	58.8 W							
	9~36 V	1750 mA	63 W							

# GPCP 20 - 90 W waterproof (IP67)

## Features

- Universal AC input / Full range
- Constant current design
- Built-in active PFC function
- Cooling by free air convection
- Current versions: 350 mA, 700 mA, 1050 mA, 1250 mA, 1400 mA, 1750 mA, 2100 mA
- 100% full load burn-in test
- Isolation class II
- Excellent quality / price ratio
- Up to 5 years warranty



	Voltage range	Rated current	Rated power	Protections	Safety & EMC regulations	Working temperature	Dimensions (L x W x H)	Weight	
GPCP-20	12~48 V	350 mA	16.8 W	short circuit, over current, over voltage, over temperature	EN55015, EN61347-1, EN61347-2-13	-20°C – +70°C	140 x 32 x 25 mm	0.21 kg	
	9~30 V	70 mA	21 W				149 x 32 x 28 mm	0.23 kg	
GPCP-35	40~80 V	350 mA	28 W	short circuit, over current		EN55015, EN61347-1, EN61347-2-13	-30°C – +70°C	162 x 42 x 33 mm	0.40 kg
	24~48 V	700 mA	33.6 W						
	16~32 V	1050 mA	33.6 W						
GPCP-60	12~24 V	1400 mA	33.6 W	short circuit, over current		EN55015, EN61347-1, EN61347-2-13	-30°C – +70°C	162 x 42 x 33 mm	0.40 kg
	40~80 V	700 mA	56 W						
	30~60 V	1050 mA	63 W						
	24~47 V	1250 mA	58.8 W						
GPCP-100	20~42 V	1400 mA	58.8 W	short circuit, over current		EN55015, EN61347-1, EN61347-2-13	-30°C – +70°C	162 x 42 x 33 mm	0.40 kg
	18~36 V	1750 mA	63 W						
	16~30 V	2100 mA	63 W						
GPCP-100	32~64 V	1400 mA	89.6W	short circuit, over current, over voltage, over temperature			172 x 63 x 38 mm	0.63 kg	

# GPF 25 – 60 W waterproof (IP65)



## Features:

- Universal AC input / Full range
- CC mode power supply
- Built-in 3 in 1 dimming function: 0 - 10 V or PWM or resistance
- Cooling by free air convection
- Plastic case, double isolation cables
- 100% full load burn-in test
- Isolation class II
- Excellent quality / price ratio
- Up to 3 years warranty



☐ Ⓢ Ⓜ IP67 CE SELV

	DC voltage	Rated current	Rated power	Protections	Safety & EMC regulations	Working temperature	Dimensions (L x W x H)	Weight		
GPF-25D	44 ~ 72 V	350 mA	25.2 W	short circuit, over current, over voltage, over temperature	EN55015, EN61347-2-13, EN61000-3-2 Class C	-30°C – +70°C	138 x 43 x 34 mm	0.30 kg		
	22 ~ 36 V	700 mA								
	15 ~ 24 V	1050 mA								
GPF-40D	72 ~ 120 V	350 mA	42 W	short circuit, over current, over voltage			EN55015, EN61347-2-13, EN61000-3-2 Class C	-30°C – +70°C	153 x 43 x 34 mm	0.40 kg
	36 ~ 60 V	700 mA								
	24 ~ 40 V	1050 mA								
	18 ~ 30 V	1400 mA								
	15 ~ 24 V	1750 mA								
GPF-60D	40 ~ 80 V	700 mA	56 W	short circuit, over current			EN55015, EN61347-2-13, EN61000-3-2 Class C	-30°C – +70°C	168 x 44 x 34 mm	0.44 kg
	30 ~ 60 V	1050 mA	63 W							
	22 ~ 42 V	1400 mA	58.8 W							
	20 ~ 36 V	1750 mA	63 W							
	14 ~ 28 V	2100 mA	58.8 W							
	12 ~ 24 V	2450 mA								

# AGV / AGC 12 – 25 W (IP40)

## Features:

- Universal AC input / Full range
- Constant voltage (AGV) / current (AGC) design
- Current versions: 350 mA, 500 mA
- Cooling by free air convection
- 100% full load burn-in test
- Isolation class II
- Double insulation of Input and output wires
- Excellent quality / price ratio
- Up to 3 years warranty



☐ Ⓢ IP40 CE LPS

	DC voltage	Rated current	Rated power	Protections	Safety & EMC regulations	Working temperature	Dimensions (L x W x H)	Weight
AGV-12	12 V	1 A	12 W	short circuit, over current, over voltage, over temperature	EN55015, EN61547	-10°C – +70°C	90 x 40 x 23.5 mm	0.88 kg
AGV-16		1.33 A	15.96 W	short circuit, over current, over voltage				0.90 kg
AGC-12	9 ~ 39 V	350 mA	12.6 W	short circuit, over temperature			EN55015, EN61547	110 x 45 x 24 mm
AGC-16	18 ~ 48 V	350 mA	16.8 W		0.90 kg			
AGC-25	25 ~ 50 V	500 mA	25 W		0.17 kg			

# GTPC-S-DA 80 – 150 W (IP20)



## Features:

- Constant voltage design
- EU input voltage range 220 - 240 V AC
- Built-in active PFC function
- Cooling by free air convection
- Protection: Overload, Short - Circuit, Over - Temperature
- DALI-2 and push dimming function. Range: 1 - 100%
- Isolation class II
- Up to 5 years warranty



	DC voltage	Rated current	Rated power	Protections	Safety & EMC regulations	Working temperature	Dimensions (L x W x H)	Weight
GTPC-80-24-S-DA	24 V	3.33 A	80 W	short circuit, over temperature, overload	EN55015, EN61347-2-13, EN61000-3-2 Class C	-20°C – +45°C	290 x 45 x 30.5 mm	0.25 kg
GTPC-150-24-S-DA		6.25 A	150 W				290 x 45 x 30.5 mm	0.48 kg

# GTPC-S 24 - 240 W (IP20)

## Features:

- EU input voltage range 220 - 240 V AC
- Built-in active PFC function
- Cooling by free air convection
- Standard reference load
- Ultra thin and slim case size
- Up to 3 years warranty



	DC voltage	Rated current	Rated power	Protections	Safety & EMC regulations	Working temperature	Dimensions (L x W x H)	Weight	
GTPC-30-S	12 V	2.50 A	24 W	short circuit, over voltage, overload	EN55015, EN61347-2-13, EN61000-3-2, Class C	-10°C – +70°C	251 x 30 x 16.5 mm	0.13 kg	
	24 V	1.25 A					251 x 30 x 16.5 mm	0.13 kg	
GTPC-45-S	12 V	3.75 A	36 W				305 x 30 x 17 mm	0.16 kg	
	24 V	1.90A					305 x 30 x 17 mm	0.16 kg	
GTPC-60-S	12 V	5.00A	60 W			-20°C – +50°C	305 x 30 x 17 mm	0.16 kg	
	24 V	2.50 A					305 x 30 x 17 mm	0.16 kg	
GTPC-75-S	12 V	6.25 A	75 W				320 x 30 x 18.2 mm	0.17 kg	
	24 V	3.125 A							
GTPC-100-S	12 V	8.34 A	100 W				-20°C – +45°C	335 x 30 x 21.6	0.23 kg
	24 V	4.17 A							
GTPC-150-S	12V	11 A	150W	360 x 32.1 x 22.5	0.35 kg				
	24V	6.25 A							
GTPC-200-S	24V	8.33 A	200W						
GTPC-240-S	24V	10 A	240W						

# GTMC-D 100 – 200 W waterproof (IP67)



## Features:

- **Triac Dimmable**
- Constant voltage design
- EU input voltage range 220 - 240 V AC
- Cooling by free air convection
- Isolation class I
- Fully encapsulated with IP67 level
- Up to 3 years warranty



	DC voltage	Rated current	Rated power	Protections	Safety & EMC regulations	Working temperature	Dimensions (L x W x H)
GTMC-100-24-D	24 V	4.2 A	100 W	overload, over voltage, short circuit	EN55015, EN61347-2-13, EN61000-3-3	-20°C – +50°C	191 x 70 x 40 mm
GTMC-200-24-D		8.3 A	200 W				249 x 72 x 40 mm

# GTPC-D 25 - 100 W (IP20)

## Features

- **Triac Dimmable**
- Constant voltage design
- EU input voltage range 220 - 240 V AC
- Cooling by free air convection
- Isolation class II
- CB certificate
- Up to 3 years warranty



	DC voltage	Rated current	Rated power	Protections	Safety & EMC regulations	Working temperature	Dimensions (L x W x H)	Weight
GTPC-25-D	12 V	2.08 A	25 W	short circuit, over voltage, overload	EN55015, EN61347-2-13, EN61000-3-2	-20°C – +50°C	122 x 52 x 30 mm	0.11 kg
	24 V	1.04 A						
GTPC-50-D	12 V	4.16 A	50 W					
	24 V	2.08 A						
GTPC-100-D	12 V	8.30 A	100 W					
	24 V	4.20 A						

# DL2 Series 15 - 150 W (IP20)



## Features:

- Universal AC input / Full range
- High Dielectric Strength: IN/OUT up to 4000 VAC
- Wide range of operating temperature range: -40°C to +70°C
- Low no load power consumption
- Designed to install on TS35x7.5 / TS35x15 Din Rail



	DC voltage	Input voltage range	Rated current	Rated power	Protections	Safety & EMC regulations	Working temperature	Dimensions (L x W x H)	Weight
DL2-15-05-U	5 V	85 ~ 264 VAC 120 ~ 370 VDC	2.4 A	12 W	short circuit, over voltage, over current	EN55032, EN62368-1, EN61558-1, EN55035, EN61000-4-2, -3, -4, -5, -6, -11, EN61000-3-3, EN61000-3-2 Class A	-40°C + 70°C (Refer to Temp. Derating Curve)	90 x 17.5 x 58.0 mm	0.06 kg
DL2-15-12-U	12 V		1.25 A	15 W					
DL2-15-15-U	15 V		1.0 A	15 W					
DL2-15-24-U	24 V		0.63 A	15.12 W					
DL2-15-48-U	48 V		0.32 A	15.36 W					
DL2-30-05-U	5 V		3.0 A	15 W					
DL2-30-12-U	12 V		2.0 A	24 W				92.6 x 35 x 58 mm	0.17 kg
DL2-30-15-U	15 V		2.0 A	30 W					
DL2-30-24-U	24 V		1.5 A	36 W					
DL2-30-48-U	48 V		0.75 A	36 W					
DL2-60-05-U	5 V		6.5 A	32.5 W					
DL2-60-12-U	12 V		4.5 A	54 W					
DL2-60-15-U	15 V		4.0 A	60 W					
DL2-60-24-U	24 V		2.5 A	60 W					
DL2-60-48-U	48 V		1.25 A	60 W					
DL2-100-12-U	12 V		7.5 A	90 W					
DL2-100-15-U	15 V		6.5 A	97.5 W				90 x 105 x 55.4 mm	0.33 kg
DL2-100-24-U	24 V		4.2 A	100.8 W					
DL2-100-48-U	48 V	2.1 A	100.8 W						
DL2-150-12-U	12 V	10.1 - 11.3 A	122 - 135.6 W	short circuit, over voltage, over current, over temperature	EN55032, EN62368-1, EN61558-1, EN55035, EN50335-1, EN61000-4-2, -3, -4, -5, -6, -11, EN61000-3-3, EN61000-3-2 Class A				
DL2-150-15-U	15 V	8.5 - 9.5 A	128.2 - 142.5 W						
DL2-150-24-U	24 V	5.3 - 6.2 A	127.4 - 150 W						
DL2-150-48-U	48 V	2.7 - 3.2 A	130.5 - 153.6 W						

# MRS Series 10 - 350 W (IP20)



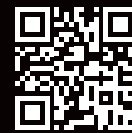
## Features:

- EU full range or selectable AC input range
- Low no-load power consumption < 0.3 W to < 0.75 W
- LED indicator for power on
- Wide range of operating temperature range: -30°C to +70°C
- Operating altitude up to 5000 m
- Up to 3 years warranty



	DC voltage	Input voltage range	Rated current	Rated power	Protections	Safety & EMC regulations	Working temperature	Dimensions (L x W x H)	Weight				
MRS-15-03-H	3.3 V	85 ~ 305 VAC / 100 ~ 430 VDC	3 A	9.9 W	short circuit over voltage over current	EN55032, EN88035, EN62368-1, EN61000-4-2, -3, -4, -5, -6, -11 EN61000-3-3, EN61000-3-2	-30°C ÷ 70°C (Refer to Temp. Derating Curve)	65 x 55 x 25 mm	0.09 kg				
MRS-15-05-H	5 V		3 A	15 W									
MRS-15-12-H	12 V		1.3 A	15.6 W									
MRS-15-15-H	15 V		1 A	15									
MRS-15-24-H	24 V		0.625 A	15.36 W									
MRS-15-48-H	48 V		0.32 A	15.36 W									
MRS-25-03-H	3.3 V		85 ~ 264 VAC / 120 ~ 373 VDC	6 A				19.8 W	short circuit over voltage over current	EN55032, EN55035 EN61000-3-3, EN61000-3-2, EN62368-1, EN60335-1, EN61558-1, -2-16	-30°C ÷ 70°C (Refer to Temp. Derating Curve)	80 x 55 x 25 mm	0.11 kg
MRS-25-05-H	5 V			5 A				25 W					
MRS-25-12-H	12 V			2.1 A				25.2 W					
MRS-25-15-H	15 V			1.7 A				25.5 W					
MRS-25-24-H	24 V			1.1 A				26.4 W					
MRS-25-48-H	48 V			0.57 A				27.36 W					
MRS-35-05-U	5 V	85 ~ 264 VAC / 120 ~ 373 VDC		7 A	35 W	short circuit over voltage over current	EN55032, EN55035 EN61000-3-3, EN61000-3-2, EN62368-1, EN60335-1, EN61558-1, -2-16	-30°C ÷ 70°C (Refer to Temp. Derating Curve)				99 x 82 x 30 mm	0.17 kg
MRS-35-12-U	12 V			3 A	36 W								
MRS-35-15-U	15 V			2.4 A	36 W								
MRS-35-24-U	24 V			1.5 A	36 W								
MRS-50-05-U	5 V			10 A	50 W								
MRS-50-12-U	12 V			4.2 A	50.4 W								
MRS-50-15-U	15 V		3.4 A	51 W									
MRS-50-24-U	24 V		2.2 A	52.8 W									
MRS-50-36-U	36 V		1.45 A	52.8 W									
MRS-50-48-U	48 V		1.1 A	52.8 W									
MRS-75-05-U	5 V		85 ~ 264 VAC / 120 ~ 373 VDC	14 A	70 W				short circuit over voltage over current	EN55032, EN55035 EN61000-3-3, EN61000-3-2, EN62368-1, EN60335-1, EN61558-1, EN61558-2-16, EN61000-4-2, -3, -4, -5, -6, -11	-30°C ÷ 70°C (Refer to Temp. Derating Curve)	99 x 82 x 30 mm	0.18 kg
MRS-75-12-U	12 V			6 A	72 W								
MRS-75-15-U	15 V	5 A		75 W									
MRS-75-24-U	24 V	3.2 A		76.8 W									
MRS-75-36-U	36 V	2.1 A		75.6 W									
MRS-75-48-U	48 V	1.6 A		76.8 W									
MRS-100-05-U	5 V	85 ~ 264 VAC / 120 ~ 373 VDC		18 A	90 W	short circuit over voltage over current	EN55032, EN55035 EN61000-3-3, EN61000-3-2, EN62368-1, EN60335-1, EN61558-1, EN61558-2-16, EN61000-4-2, -3, -4, -5, -6, -11	-30°C ÷ 70°C (Refer to Temp. Derating Curve)				99 x 97 x 30 mm	0.22 kg
MRS-100-12-U	12 V			8.5 A	105 W								
MRS-100-15-U	15 V			7 A	105 W								
MRS-100-24-U	24 V			4.5 A	108 W								
MRS-100-36-U	36 V			2.8 A	100.8 W								
MRS-100-48-U	48 V			2.8 A	110.4 W								
MRS-150-12-U	12 V		90 ~ 132 VAC / 180 ~ 264 VAC	12.5 A	150 W				short circuit over voltage over current over temperature	EN55032, EN55035, EN62368-1, EN60335-1	-30°C ÷ 70°C (Refer to Temp. Derating Curve)	129 x 97 x 30 mm	0.35 kg
MRS-150-15-U	15 V			10 A	150 W								
MRS-150-24-U	24 V			6.5 A	156 W								
MRS-150-36-U	36 V			4.3 A	154.8 W								
MRS-150-48-U	48 V			3.3 A	158.4 W								
MRS-350-05-S	5 V			90 ~ 132 VAC / 180 ~ 264 VAC	60 A								
MRS-350-12-S	12 V	29 A			348 W								
MRS-350-15-S	15 V	23.2 A			350.4 W								
MRS-350-24-S	24 V	14.6 A			350.4 W								
MRS-350-36-S	36 V	9.7 A			349.2 W								
MRS-350-48-S	48 V	7.3 A			350.4 W								
MRS-350-05-S	5 V	90 ~ 132 VAC / 180 ~ 264 VAC			60 A	300 W	short circuit over voltage over current over temperature	EN55032, EN55035, EN62368-1, EN60335-1				-30°C ÷ 70°C (Refer to Temp. Derating Curve)	159 x 97 x 30 mm
MRS-350-12-S	12 V		29 A		348 W								
MRS-350-15-S	15 V		23.2 A	350.4 W									
MRS-350-24-S	24 V		14.6 A	350.4 W									
MRS-350-36-S	36 V		9.7 A	349.2 W									
MRS-350-48-S	48 V		7.3 A	350.4 W									

# MFS Series 150 - 320 W (IP20)



## Features:

- Build-in active PFC function
- Compact size with a low 1U profile
- Wide range of operating temperature range: -30°C to +70°C
- LED indicator for power on
- Operating altitude up to 5000 m
- Up to 3 years warranty



	DC voltage	Input voltage range	Rated current	Rated power	Protections	Safety & EMC regulations	Working temperature	Dimensions (L x W x H)	Weight
MFS-150-12-H	12 V	85 ~ 305 VAC / 120 ~ 430 VDC	12.5 A	150 W	short circuit, over voltage, over current, over temperature	EN55032, EN55035, EN62368-1, EN60335-1, EN61558-1, EN61558-2-16, EN61000-3-2 -3, EN61000-4-2 -3, -4, -5, -6, -11	-30°C ÷ 70°C (Refer to Temp. Derating Curve)	179 x 99 x 30 mm	0.5 kg
MFS-150-15-H	15 V		10 A	150 W					
MFS-150-24-H	24 V		6.3 A	151.2 W					
MFS-150-48-H	48 V		3.2 A	153.6 W					
MFS-200-5-H	5 V	85 ~ 305 VAC / 120 ~ 430 VDC	40 A	200 W	short circuit, over voltage, over current, over temperature	EN55032, EN55035, EN62368-1, EN60335-1, EN61558-1, EN61558-2-16, EN61000-3-2 -3, EN61000-4-2 -3, -4, -5, -6, -11	-30°C ÷ 70°C (Refer to Temp. Derating Curve)	215 x 115 x 30 mm	0.75 kg
MFS-200-12-H	12 V		16.7 A	200.4 W				179 x 99 x 30 mm	0.47 kg
MFS-200-15-H	15 V		13.4 A	201 W					
MFS-200-24-H	24 V		8.4 A	201.6 W					
MFS-200-48-H	48 V		4.2 A	201.6 W					
MFS-320-04-H	4 V	85 ~ 305 VAC / 120 ~ 430 VDC	60 A	240 W	short circuit, over voltage, over current, over temperature	EN55032, EN55035, EN62368-1, EN60335-1, EN61558-1, EN61558-2-16, EN61000-3-2 -3, EN61000-4-2 -3, -4, -5, -6, -11	-30°C ÷ 70°C (Refer to Temp. Derating Curve)	215 x 115 x 30 mm	0.75 kg
MFS-320-05-H	05 V		60 A	300 W					
MFS-320-12-H	12 V		26.7 A	320.4 W					
MFS-320-15-H	15 V		21.4 A	321 W					
MFS-320-24-H	24 V		13.4 A	321.6 W					
MFS-320-27-H	27 V		11.9 A	321.6 W					
MFS-320-48-H	48 V		6.7 A	1.6 W					





# MFS Series 600 - 1500 W (IP20)



## Features:

- Build-in active PFC function
- Wide range of adjustable output voltage
- Wide range of operating temperature range: -40°C to +70°C
- Support 3 + 1 parallel redundancy, current sharing
- Operating altitude up to 5000 m
- Up to 3 years warranty



	DC voltage	Input voltage range	Rated current	Rated power	Protections	Safety & EMC regulations	Working temperature	Dimensions (L x W x H)	Weight
MFS-600-12-U	12 V	80 ~ 277 VAC / 110 ~ 390 VDC	50 A	600 W	short circuit, over voltage, over current, over temperature	EN55032, EN61000-3-2 -3, EN61000-4-2 -3, -4, -5, -6, -11 EN61000-6-2	-40°C + 70°C (Refer to Temp. Derating Curve)	101 x 203.1 x 40.5 mm	1 kg
MFS-600-15-U	15 V		40 A						
MFS-600-24-U	24 V		25 A						
MFS-600-27-U	27 V		22.3 A						
MFS-600-36-U	36 V		16.7 A						
MFS-600-48-U	48 V		12.6 A						
MFS-1000-12-U	12 V	90 ~ 264 VAC / 120 ~ 370 VDC	80 A	960 W	short circuit, over voltage, over current, over temperature	EN55032, EN61000-3-3, EN61000-4-2 -3, -4, -5, -6, -11 EN61000-6-2	-40°C + 70°C (Refer to Temp. Derating Curve)	190 x 127 x 40.5 mm	1.25 kg
MFS-1000-15-U	15 V		64 A	960 W					
MFS-1000-24-U	24 V		42 A	1008 W					
MFS-1000-27-U	27 V		37.3 A	1007 W					
MFS-1000-36-U	36 V		28.8 A	1008 W					
MFS-1000-48-U	48 V		21 A	1008 W					
MFS-100-54-U	54 V		18.7 A	1009 W					
MFS-1500-12-U	12 V	86 ~ 264 VAC / 120 ~ 370 VDC	125 A	1510 W	short circuit, over voltage, over current, over temperature	EN55032, EN61000-3-2 -3, EN61000-4-2 -3, -4, -5, -6, -11	-40°C + 70°C (Refer to Temp. Derating Curve)	250 x 127 x 40.5 mm	1.8 kg
MFS-1500-15-U	15 V		100 A	1510 W					
MFS-1500-24-U	24 V		62.5 A	1510 W					
MFS-1500-27-U	27 V		56 A	1522 W					
MFS-1500-36-U	36 V		42 A	1522 W					
MFS-1500-48-U	48 V		32 A	1546 W					
MFS-1500-54-U	54 V		28 A	1522 W					

# FTPC 180 ~ 320 W constant voltage (IP20)



- Built-in active PFC function
- EU input voltage range: 180 - 264 V AC
- Cooling by free air convection
- Compliance to worldwide safety regulations for lighting
- 100 % full load burn-in test
- Isolation class II
- Approved for installation directly on wood
- Up to 5 years warranty



Model	Power	Voltage	Current	Protection	Safety & EMC	Working temperature	Dimensions (L x W x H)	Weight
FTPC200V12	180 W	12 V	15.00 A	short circuit, overload, over voltage, over temperature	EN61347-1, EN61347-2-13, EN55015, EN61547, EN61000-3-3, EN61000-3-2	-20°C + +45°C	195 x 67 x 31.5 mm	0.50 kg
FTPC200V24	200 W	24 V	8.33 A				195 x 67.1 x 31.2 mm	0.50 kg
FTPC250V12	216 W	12 V	18.00 A				215 x 77.5 x 35 mm	0.86 kg
FTPC250V24	250 W	24 V	10.40 A					
FTPC320V12	260 W	12 V	21.70 A					
FTPC320V24	320 W	24 V	13.30 A					

# FTPC-C2 20 ~ 100 W constant voltage (IP20)

- Built-in active PFC function
- EU input voltage range: 180 - 264 V AC
- Cooling by free air convection
- Compliance to worldwide safety regulations for lighting
- 100 % full load burn-in test
- Isolation class II
- Approved for installation directly on wood
- Up to 5 years warranty



Model	Power	Voltage	Current	Protection	Safety & EMC	Working temperature	Dimensions (L x W x H)	Weight
FTPC20V12-C2	20 W	12 V	1.67 A	short circuit, overload, over temperature	EN 61347-1, EN 61347-2-13, EN55015, EN61547, EN61000-4-2, 3, 4, 5, 6	-20°C + +45°C	154 x 50 x 14 mm	0.08 kg
FTPC20V24-C2		24 V	0.83 A				154 x 50 x 14 mm	0.09 kg
FTPC30V12-C2	30 W	12 V	2.50 A	EN61347-1, EN61347-2-13, EN55015, EN55024, EN61000-4-2, -3, -4, -5, -6, -8, -11;	154 x 50 x 14 mm		0.09 kg	
FTPC30V24-C2		24 V	1.25 A		154 x 50 x 14 mm		0.09 kg	
FTPC40V12-C2	40 W	12 V	3.33 A	short circuit, over voltage, overload, over temperature	EN61347-1, EN61347-2-13, EN 55015, EN61547, EN61000-3-2		159.9 x 57.8 x 18 mm	0.15 kg
FTPC40V24-C2		24 V	1.67 A				159.9 x 57.8 x 18 mm	0.15 kg
FTPC50V12-C2	50 W	12 V	4.16 A	short circuit, over current, overload, over temperature	EN 61347-1, EN 61347-2-13, EN 55015, EN61547, EN61000-4-2, 3, 4, 5, 6		164 x 56.4 x 16.8 mm	0.40 kg
FTPC50V24-C2		24 V	2.08 A				164 x 56.4 x 16.8 mm	0.15 kg
FTPC60V12-C2	60 W	12 V	5.00 A	short circuit, over current, overload, over temperature	EN61347-1, EN61347-2-13, EN55015, EN61547, EN61000-4-2, -3, -4, -5, -6, -8, -11, EN55024		164 x 56.4 x 16.8 mm	0.15 kg
FTPC60V24-C2		24 V	2.50 A				164 x 56.4 x 16.8 mm	0.15 kg
FTPC75V12-C2	75 W	12 V	6.25 A	short circuit, over current, overload, over temperature	EN 61347-1, EN 61347-2-13, EN 55015, EN61547, EN61000-4-2, 3, 4, 5, 6	164 x 56.4 x 16.8 mm	0.15 kg	
FTPC75V24-C2		24 V	3.12 A			164 x 56.4 x 16.8 mm	0.15 kg	
FTPC100V12-C2	100 W	12 V	8.33 A	short circuit, over current, overload, over temperature	EN61347-1, EN61347-2-13, EN55015, EN61547, EN61000-4-2, -3, -4, -5, -6, -8, -11, EN55024	164 x 56.4 x 16.8 mm	0.15 kg	
FTPC100V24-C2		24 V	4.17 A			164 x 56.4 x 16.8 mm	0.15 kg	

# FTPC-D 30 ~ 150 W voltage (IP20)



- Constant voltage + constant current design
- AC phase cut (leading or trailing edge) dimmable
- EU input voltage range: 180 - 264 V AC
- 100 % full load burn-in test
- Cooling by free air convection
- Compliance to worldwide safety regulations for lighting
- Built-in active PFC function
- Up to 5 years warranty



Model	Power	Voltage	Current	Protection	Safety & EMC	Working temperature	Dimensions (L x W x H)	Weight	
FTPC30V12-D	30 W	12 V	2.50 A	short circuit, overload, over voltage, over temperature	EN61347-1, EN61347-2-13, EN55015, EN61547	-20°C ~ +45°C	159 × 46 × 18 mm	0.20 kg	
FTPC30V24-D		24 V	1.25 A						177 × 57.8 × 21.8 mm
FTPC50V12-D	50 W	12 V	4.16 A				170 × 56.8 × 31 mm		
FTPC50V24-D		24 V	2.08 A						
FTPC75V12-D	75 W	12 V	6.25 A				200.8 × 63 × 30 mm		
FTPC75V24-D		24 V	3.12 A						
FTPC100V12-D	100 W	12 V	8.33 A	short circuit, overload, over temperature	EN 62493, EN61347-1, EN61347-2-13, EN55015, EN61547	-20°C ~ +45°C	170 × 56.5 × 31 mm	0.45 kg	
FTPC100V24-D		24 V	4.17 A						
FTPC150V12-D	150 W	12 V	11.00 A	short circuit, overload, over voltage, over temp.			170 × 56.5 × 31 mm		0.60 kg
FTPC150V24-D		24 V	6.25 A						

# FTPC-PL 8 ~ 120 W voltage (IP20)

- EU input voltage range: 180 - 264 V AC
- Constant voltage design
- Low total harmonic distortion
- Cooling by free air convection
- Compliance to worldwide safety regulations for lighting
- Low Cost - High Reliability
- Low standby power consumption
- 3 years warranty



Model	Power	Voltage	Current	Protection	Safety & EMC	Working temperature	Dimensions (L x W x H)	Weight
FTPC8V12-PL	8 W	12 V	0.67 A	short circuit, overload, overvoltage	EN 61347-1, EN 61347-2-13, EN 62493, EN 62000-3-2;	-20°C + +45°C	101 × 39.5 × 19.5 mm	0.04 kg
FTPC8V24-PL		24V	0.33 A					
FTPC12V12-PL	12 W	12 V	1.00 A				170 × 44.5 × 28.2 mm	
FTPC12V24-PL		24 V	0.50 A					
FTPC15V12-PL	15 W	12 V	1.25 A	short circuit, overload, open circuit	EN 61347-1, EN 61347-2-13, EN 62493;	-20°C + +45°C	316 × 44.9 × 33 mm	0.45 kg
FTPC15V12-PL		24 V	0.625 A					
FTPC60V12-PL	60 W	12 V	5.00 A	170 × 44.5 × 28.2 mm				
FTPC60V12-PL		24 V	2.50 A					
FTPC75V12-PL	75 W	12 V	6.25 A	170 × 44.5 × 28.2 mm				
FTPC75V12-PL		24 V	3.12 A					
FTPC120V24-PL	120 W	24 V	5 A	170 × 44.5 × 28.2 mm	0.45 kg			

# FTPC-E 15 ~ 20 W voltage (IP20)



- Constant voltage design
- Built in active PFC function
- Cooling by free air convection
- Compliance to worldwide safety regulations for lighting
- EU input voltage range: 180 - 264 V AC
- Isolation class II
- Approved for installation directly on wood
- 5 years warranty



Model	Power	Voltage	Current	Protection	Safety & EMC	Working temperature	Dimensions (L x W x H)	Weight
FTPC15V12-E	15 W	12 V	1.25 A	short circuit, overload, over voltage	EN61347-1, EN61347-2-13, EN55015, EN61547	-20°C ~ +45°C	103 x 35.5 x 16 mm	0.05 kg
FTPC15V24-E		24 V	0.625 A					
FTPC20V12-E	20 W	12 V	1.67 A					
FTPC20V24-E		24 V	0.84 A				103 x 35.5 x 16 mm	0.06 kg

# FTPC-L 20 ~ 150 W voltage (IP20)

- Constant voltage design
- EU input voltage range: 220 - 240 V AC
- Isolation class II
- Compliance to worldwide regulations for lighting
- Cooling by free air convection
- Lifetime 50 000 hrs
- 3 years warranty



Model	Power	Voltage	Current	Protection	Safety & EMC	Working temperature	Dimensions (L x W x H)	Weight
FTPC20V12-L	20 W	12 V	1.67 A	open circuit, short circuit, overload, over temperature	IEC61347-1, IEC61347-2-13, EN55015, EN61547, EN61000-3-2, EN61000-3-3, EN62493	-20°C ~ +45°C	123 x 44.6 x 19.2 mm	0.06 kg
FTPC20V24-L		24 V	0.83 A					
FTPC30V12-L	30 W	12 V	2.50 A					
FTPC30V24-L		24 V	1.25 A				123 x 44.6 x 19.2 mm	0.09 kg
FTPC40V12-L	40 W	12 V	3.33 A					
FTPC40V24-L		24 V	1.67 A				149 x 40.4 x 26.7 mm	0.14 kg
FTPC50V12-L	50 W	12 V	4.16 A					
FTPC50V24-L		24 V	2.08 A				149 x 40.4 x 26.7 mm	0.15 kg
FTPC75V12-L	75 W	12 V	6.25 A					
FTPC75V24-L		24 V	3.125 A				170 x 44.5 x 28.2 mm	0.18 kg
FTPC100V12-L	100 W	12 V	7.50 A					
FTPC150V24-L	150 W	24 V	6.25 A	170 x 44.5 x 28.2 mm	0.25 kg			
							197 x 62.5 x 30.6 mm	0.52 kg

# FTPC-S2<sub>30 ~ 240 W</sub> voltage (IP20)



- Built-in active PFC function
- EU input voltage range: 180 - 264 V AC
- Cooling by free air convection
- Compliance to worldwide safety regulations for lighting
- 100 % full load burn-in test
- Isolation class II
- For indoor use
- Narrow and low profile
- Approved for installation directly on wood
- Up to 5 years warranty

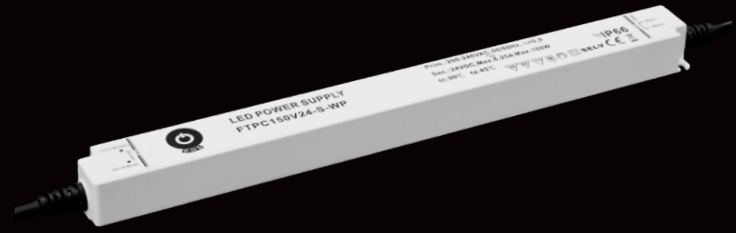


Model	Power	Voltage	Current	Protection	Safety & EMC	Working temperature	Dimensions (L × W × H)	Weight										
FTPC30V12-S2	30 W	12 V	2.5 A	short circuit, overload, over voltage over temperature	EN61347-1, EN61547, EN61347-2-13, EN62493, EN50515, EN61000-3-2 Class C	-20°C + +45°C	251 × 30 × 16 mm	0.15 kg										
FTPC30V24-S2		24 V	1.25 A															
FTPC30V48-S2		48 V	0.62 A															
FTPC60V12-S2	60 W	12 V	5.00 A	short circuit, overload, over voltage over temperature			EN61347-1, EN61547, EN61347-2-13, EN62493, EN50515, EN61000-3-2 Class C	-20°C + +45°C	304.6 × 30 × 16.7 mm	0.17 kg								
FTPC60V24-S2		24 V	2.50 A															
FTPC60V48-S2		48 V	1.25 A															
FTPC100V12-S2	100 W	12 V	8.33 A	short circuit, over voltage, over temperature					EN61347-1, EN61547, EN61347-2-13, EN62493, EN50515, EN61000-3-2 Class C	-20°C + +45°C	320.6 × 30 × 18.2 mm	0.52 kg						
FTPC100V24-S2		24 V	4.17 A															
FTPC100V48-S2		48 V	2.08 A															
FTPC150V12-S2	150 W	12 V	11 A	short circuit, over voltage, over temperature							EN61347-1, EN61547, EN61347-2-13, EN62493, EN50515, EN61000-3-2 Class C	-20°C + +45°C	320.6 × 30 × 18.2 mm	0.52 kg				
FTPC150V24-S2		24 V	6.25 A															
FTPC150V48-S2		48 V	3.12 A															
FTPC200V24-S2	200 W	24 V	8.33 A	short circuit, over voltage, over temperature									EN61347-1, EN61547, EN61347-2-13, EN62493, EN50515, EN61000-3-2 Class C	-20°C + +45°C	320.6 × 30 × 18.2 mm	0.32 kg		
FTPC200V48-S2		48 V	4.16 A															
FTPC240V24-S2	240 W	24 V	10 A	short circuit, over voltage, over temperature											EN61347-1, EN61547, EN61347-2-13, EN62493, EN50515, EN61000-3-2 Class C	-20°C + +45°C	356.4 × 32.1 × 22.3 mm	0.34 kg
FTPC240V48-S2	240 W	48 V	5 A															
FTPC240V24-S	240 W	24 V	10.00 A	short circuit, over voltage over temperature	EN61347-1, EN61347-2-13, EN62493, EN50515, EN61547, EN61000-3-3, EN61000-3-2 Class C												356.4 × 32.1 × 22.3 mm	0.34 kg

# FTPC-S-WP 60 ~ 150 W voltage (IP66)



- Built-in active PFC function
- EU input voltage range: 180 - 264 V AC
- Cooling by free air convection
- Isolation class II
- Narrow and low profile
- 100 % full load burn-in test
- Suitable for use in Dry and Damp locations
- Approved for installation directly on wood
- Compliance to worldwide regulations for lighting
- Up to 5 years warranty



**IP66 SELV CE**

Model	Power	Voltage	Current	Protection	Safety & EMC	Working temperature	Dimensions (L×W×H)	Weight
FTPC60V12-S-WP	60 W	12 V	5.00 A	short circuit, overload, over voltage, over temperature	EN61347-1, EN61347-2-13, EN55015, EN61547, EN61000-3-2 Class C	-20°C ~ +45°C	339 × 30 × 18 mm	0.31 kg
FTPC60V24-S-WP		24 V	2.50 A					
FTPC100V12-S-WP	100 W	12 V	8.33 A			-20°C ~ +50°C	356 × 30 × 20 mm	0.33 kg
FTPC100V24-S-WP		24 V	4.17 A					
FTPC150V12-S-WP	132 W	12 V	11.00 A					
FTPC150V24-S-WP	150 W	24 V	6.25 A			-20°C ~ +45°C	356 × 30 × 23 mm	0.42 kg

# FTPC-FP2 15 ~ 60 W voltage (IP44)

- EU input voltage range: 180 - 264 V AC
- Cooling by free air convection
- Compliance to worldwide safety regulations for lighting
- Compliance to ERP Directive
- Isolation class II
- 100 % full load burn-in test
- Approved for installation directly on wood
- Up to 5 years warranty



**UK CA SELV CE**

Model	Power	Voltage	Current	Protection	Safety & EMC	Working temperature	Dimensions (L × W × H)	Weight	
FTPC15V12-FP2	15 W	12 V	1.25 A	short circuit, over voltage, overload	EN61347-1, EN61347-2-13, EN55015, EN61547, EN61000-3-2 Class C	-20°C ~ +45°C	113.6 × 37 × 18 mm	0.8 kg	
FTPC15V24-FP2		24 V	0.625 A						
FTPC20V12-FP2	20 W	12 V	1.67 A						
FTPC20V24-FP2		24 V	0.833 A						
FTPC30V12-FP2	30 W	12 V	2.50 A	short circuit, over voltage, over temperature			158 × 51 × 17.3 mm	0.12 kg	
FTPC30V24-FP2		24 V	1.25 A						
FTPC40V12-FP2	40 W	12 V	3.33 A						0.16 kg
FTPC40V24-FP2		24 V	1.67 A						
FTPC60V12-FP2	60 W	12 V	5 A						0.26 kg
FTPC60V24-FP2		24 V	2.50 A						

# FTPC-S-DA6 100 ~ 240 W voltage



- Built-in constant voltage LED power supply
- EU input voltage range: 180 - 264 V AC
- Built in push dimming
- Comply to DALI 6.0 standard (IEC 62386-101, 102, 207)
- Linear or log curve optional
- Dimming range 1-100%
- Efficiency greater than 92%
- For indoor lighting, office lighting
- 5 years warranty



Model	Power	Voltage	Current	Protection	Safety & EMC	Working temperature	Dimensions (L x W x H)	Weight
FTPC60V12-S-DA6	60 W	12 V	5 A	short circuit, overload, over voltage,	EN61347-1, EN 61347-2-13, EN55015, EN61547, EN61000-3-2 Class C	-20°C ~ +45°C	361.5 x 30 x 21.3 mm	0.15 kg
FTPC60V24-S-DA6		24 V	2.5 A					
FTPC60V48-S-DA6		48 V	1.5 A					
FTPC100V12-S-DA6	100 W	12 V	8.33 A	short circuit, overload, over voltage, over temperature	EN61347-1, EN 61347-2-13, EN55015, EN61547, EN61000-3-2 Class C		361.5 x 30 x 21.3 mm	0.13 kg
FTPC100V24-S-DA6		24 V	4.16 A					
FTPC100V48-S-DA6		48 V	2.08 A					
FTPC150V12-S-DA6	150 W	12 V	11 A	short circuit, overload, over voltage, over temperature	EN61347-1, EN 61347-2-13, EN55015, EN61547, EN61000-3-2 Class C		361.5 x 30 x 21.3 mm	0.23 kg
FTPC150V24-S-DA6		24 V	6.25 A					
FTPC150V48-S-DA6		48 V	3.12 A					
FTPC200V12-S-DA6	200 W	12 V	8.33 A	short circuit, overload, over voltage, over temperature	EN61347-1, EN 61347-2-13, EN55015, EN61547, EN61000-3-2 Class C		334.8 x 41.5 x 27.5 mm	0.35 kg
FTPC200V24-S-DA6		24 V	10 A					
FTPC200V48-S-DA6		48 V	4.16 A					
FTPC240V24-S-DA6	240 W	24 V	10 A	short circuit, overload, over voltage, over temperature	EN61347-1, EN 61347-2-13, EN55015, EN61547, EN61000-3-2 Class C	334.8 x 41.5 x 27.5 mm	0.50 kg	
FTPC240V48-S-DA6		48 V	5 A					

# FTPC-S-DA8 100 ~ 150 W voltage

- Built-in constant voltage LED power supply
- EU input voltage range: 180 - 264 V AC
- Built in push dimming
- Comply to DALI 8.0 standard (IEC 62386-101, 102, 207)
- Linear or log curve optional
- Dimming range 1-100%
- Efficiency greater than 92%
- For indoor lighting, office lighting
- 5 years warranty



Model	Power	Voltage range	Current	Protection	Safety & EMC	Working temperature	Dimensions (L x W x H)
FTPC100V24-DA8	100 W	24 V	4.16 A	short circuit, over current, over voltage, over temperature	EN61347-1, EN61347-2-13, EN55015 Fcc par15 Class B, EN55024, EN61547, EN61000-3-2 Class C	-20°C + 45°C	361.5 x 30 x 21.3 mm
FTPC150V24-DA8	150 W	24 V	6.25 A				

# FTPC-S-PCT-PDS 100 ~ 150 W voltage (IP20)



- Constant voltage design
- EU input voltage range: 180 - 264 V AC
- PCT – push-in-clamp terminal
- PDS – push-dimming secondary side
- Cooling by free air convection
- Compliance to worldwide regulations for lighting
- Isolation class II
- Extremely short and slim case size
- Up to 3 years warranty



Model	Power	Voltage range	Current	Protection	Safety & EMC	Working temperature	Dimensions (L × W × H)	Weight
FTPC100V12-S-PCT-PDS	100 W	12 V	8.33 A	over current, short circuit, over voltage, over temp.	EN61347-1, EN61347-2-13, EN55015, EN61547, EN61000-3-2 Class C	-20°C + +55°C	326 × 30 × 21.6 mm	0.30 kg
FTPC100V24-S-PCT-PDS		24 V	4.16 A					
FTPC150V12-S-PCT-PDS	150 W	12 V	11.00 A					
FTPC150V24-S-PCT-PDS		24 V	6.25 A			-20°C + +45°C		

# FTPC-VFC 30 - 100 W voltage (IP30)

- EU input voltage range: 180 - 264 V AC
- Cooling by free air convection
- Built-in active PFC function
- Compliance to worldwide regulations for lighting
- Isolation class II
- Body: PC
- L813 - male plug black / L815 - female socket black
- L814 - male plug white / L816 - female socket white



Model	Power	Voltage range	Current	Protection	Safety & EMC	Working temperature	Dimensions (L × W × H)	Weight
FTPC30V12-VFC-B or W	30 W	12 V	2.50 A	Open circuit, short circuit, overload	EN61347-1, EN61347-2-13, EN55015, EN61000-3-2, EN61000-3-3, EN61547, EN62493, EN1194-2012	45°C + 85°C	179 × 52 × 16 mm	0.14 kg
FTPC30V24-VFC-B or W		24 V	1.25 A				191 × 58.4 × 18 mm	0.20 kg
FTPC60V12-VFC-B or W	60 W	12 V	5.00 A					
FTPC60V24-VFC-B or W		24 V	2.50 A			191 × 58.4 × 18 mm	0.20 kg	
FTPC100V12-VFC-B or W	100 W	12 V	8.33 A					
FTPC100V24-VFC-B or W		24 V	4.17 A			191 × 58.4 × 18 mm	0.20 kg	

FTPC-VFP-B

Black output cable for FTPC-VFC-B; L = 2 m

FTPC-VFP-W

White output cable for FTPC-VFC-W; L = 2 m



# FTPC-ZIGBEE-CB 75 - 150 W voltage (IP20)



- Zigbee wireless communication protocol
- Compatible with ZHA1.2 international standard
- Brightness adjustment from 1 - 100%
- Works with constant voltage 12 - 24 V LED drivers
- Open circuit / short circuit



Model	Power	Voltage range	Current	Protection	Safety & EMC	Working temperature	Dimensions (L x W x H)
FTPC75-ZIGBEE-CB	75 W	12 V	6.25 A	over current short circuit	EN61347-1, EN61347-2-13	-40°C + +50°C	72 x 31.8 x 16.8 mm
	150 W	24 V					

## FTPC-ZIGBEE VOICE CONTROLLERS / DIMMING MODULES

Model	Power	Voltage range	Current	Working temperature	Dimensions (L x W x H)
FTPC75-AA	75 W	12 V - 24 V	6.25 A	+30°C + +75°C	72 x 31.8 x 16.8 mm
FTPC75-AB					
FTPC75-BA					
FTPC75-BB					

# FTPC-ZIGBEE 100 W voltage (IP20)

- Constant voltage design
- Cooling by free air convection
- Built-in active PFC function
- Compliance to worldwide regulations for lighting
- Isolation class II
- Works with amazon alexa home asistant
- Suitable to Zigbee Home Automation 1.2 Protocol



Model	Power	Voltage range	Current	Protection	Safety & EMC	Working temperature	Dimensions (L x W x H)	Weight
FTPC100V24-ZIGBEE	100 W	24 V	4.17 A	over current overload short circuit over temp.	EN55015, EN61547, EN61000-3-3, EN61000-3-2	-20°C + +45°C	219.5 x 56.4 x 16.8 mm	0.25 kg

# FTPC series sensors (IP20)



## FTPC-SIK-IR

- Isolated switch controller with infrared sensor
- Infrared sensor will react to short contact with human hands or objects
- When targets are within its detection range, the controller will be opened
- When targets are out of its detection range, it will be closed



**FTPC-SIK-IR+S101** - Input side electronic IR sensor switch (Line Voltage) for control of cabinet light, detection range < 5 m. Prim: 100 - 240 VAC + probe.

Voltage range input	Output current	Output power (max.)	No-load power consumption	Working temperature	Application
100 - 240 VAC 50 / 60Hz	1 A	250 VA	< 0.5 W	-20°C ≤ Ta ≤ 50°C	cabinets

## FTPC-SIM-IR

- Isolated switch controller with infrared sensor
- Infrared sensor will react to short contact with human hands or objects
- When targets are within its detection range, the controller will be opened
- Target is within its detection range again, it will be opened repeating the cycle



**FTPC-SIM-IR+S101** - Input side electronic IR sensor switch (Low Voltage), detection range < 5 cm. Prim: for mirror lighting + probe.

**FTPC-SIM-IR+S105+S104** - Input side electronic IR sensor switch (Low Voltage), detection range < 5 cm. Prim: for mirror lighting + probe + relay.

Voltage range input	Output current	Output power (max.)	No-load power consumption	Working temperature	Application
100 - 240 VAC 50 / 60Hz	1 A	250 VA	< 0.5 W	-20°C ≤ Ta ≤ 50°C	mirrors

## FTPC-SIL-PIR

- Isolated switch controller with infrared sensor
- Pyroelectric sensors respond to human movement
- When the sensor detects that the target moves within its detection range, it will be closed
- The closing duration is 10 s - 3 min
- The duration can be adjusted by turning the potentiometer on the product case
- When the delay is complete, it disconnects.



**FTPC-SIL-PIR+S103** Human-body detection PIR sensor (Line Voltage), detection range < 2.5 m / 80 degree / 10 s - 3 min + probe.

Voltage range input	Output current	Output power (max.)	No-load power consumption	Working temperature	Application
100 - 240 VAC 50 / 60Hz	1 A	250 VA	< 0.5 W	-20°C ≤ Ta ≤ 50°C	



## FTPC-SOM-T

- Touch sensor controller with functions of dimming
- CCT change and power-on heating element systems
- It is suitable for mirror backlighting series products, or other touch sensor dimming control products



**FTPC-SOM-T+S104** - Touch sensor (Low Voltage) with memory function, used behind mirror, for mirrors < 5 mm + relay.

Voltage range input	Rated load	Mirror thickness	Colour temp. variation range CCT	Working temperature	Dimming range	Heating element	Application
12V DC / 24 VDC	2 x 30 W / 2 x 60 W	≤ 5 mm	0% ~ 100%	-20°C ≤ Ta ≤ 50°C	5% ~ 100%	Start-up	mirrors

## FTPC-SOA-IR

- LED light controller with infrared induction detector, dimming and heating defogging function
- The infrared sensor will react to short distance contact of hands or objects
- There are three modes: cabinet mode (ON/OFF), mirror mode (ON/OFF), mirror mode (ON/OFF + dimming)



**FTPC-SOA-IR+S102** - Output side IR sensor (Low Voltage) for cabinet or mirror light, detection range < 5 cm + probe.

Voltage range input	Output current	Load (max.)	Dimming range	Working temperature	Application
12 VDC / 24 VDC	6,25 A	12 V / 75 W / 24 V / 150 W	2% ~ 100%	-20°C ≤ Ta ≤ 50°C	wing cabinets, sliding cabinets, drawers and mirrors

## FTPC-SOL-PIR

- LED light controller with pyroelectric sensors
- There are two kinds of output connection modes to select: metal terminal and connector
- Pyroelectric sensors respond to human movement
- When the sensor detects that the target moves within its detection range, it will be closed
- When the delay is complete, it disconnects



**FTPC-SOL-PIR+S103** - Output side Human-body detection PIR sensor (Low Voltage), detection range < 2,5 m / 80 degree / 10 s - 3 min + probe.

Voltage range input	Output current	Load (max.)	Delay time	Working temperature	Application
12 VDC / 24 VDC	6,25 A	12 V / 75 W / 24 V / 150 W	10 s - 3 min	-20°C ≤ Ta ≤ 50°C	corridors

# MCHQ-GA 50 ~ 240 W voltage (IP65)



- EU input voltage range / Full range (max 305 V AC)
- Built-in active PFC function
- Suitable for dry, humid and rainy environment
- Adopt metal shell and internal glue filling, can be used in dangerous situations
- Built-in lightning protection device can meet the requirements of DM 4 KV / CM 6 KV
- Compliance to worldwide safety regulations for lighting
- 5 years warranty



IP65 SELV CE

Model	Power	Voltage	Current	Protection	Safety & EMC	Working temperature	Dimensions (L x W x H)	Weight
MCHQ50V12-GA	50 W	12 V	4.16 A	short circuit, overload, over voltage, over temperature	EN55015, EN61347-2-13, EN61000-3-2	-40°C ~ +70°C	157 × 40.9 × 36.5 mm	0.40 kg
MCHQ50V24-GA		24 V	2.08 A					
MCHQ80V12-GA	75 W	12 V	6.66 A				173 × 63 × 38 mm	0.60 kg
MCHQ80V24-GA		24 V	3.33 A					
MCHQ100V12-GA	100 W	12 V	8.33 A				193.6 × 63 × 38 mm	0.90 kg
MCHQ100V24-GA		24 V	4.17 A					
MCHQ150V12-GA	150 W	12 V	12.5 A				216 × 63 × 37 mm	0.85 kg
MCHQ150V24-GA		24 V	6.25 A					
MCHQ200V12-GA	192 W	12 V	16 A				220.6 × 62.5 × 41.3 mm	0.94 kg
MCHQ200V24-GA	200 W	24 V	8.3 A					
MCHQ240V12-GA	216 W	12 V	18 A					
MCHQ240V24-GA	240 W	24 V	10 A					



# MCHQ-GE 100 ~ 320 W voltage (IP67)



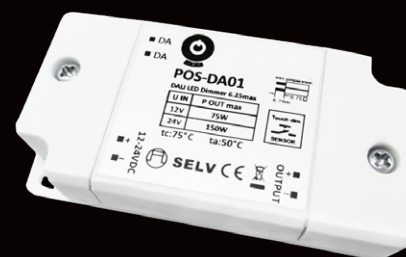
- EU input voltage range: 180 - 305 V AC
- Built-in active PFC function
- Metal case
- Suitable for dry, humid and rainy environment
- Adopt metal shell and internal glue potting, can be used in dangerous situations
- Compliance to worldwide safety regulations for lighting
- 5 years warranty



Model	Power	Voltage	Current	Protection	Safety & EMC	Working temperature	Dimensions (L x W x H)	Weight	
MCHQ100V12-GE	100 W	12 V	8.30 A	short circuit, overload, over voltage, over temperature	EN61347-1, EN 61347-2-13, EN62493, EN55015	-40°C ~ +55°C	173 x 63 x 38 mm	0.70 kg	
MCHQ100V24-GE		24 V	4.20 A				193.6 x 63 x 38 mm		
MCHQ150V12-GE	150 W	12 V	12.50 A				216 x 63 x 37 mm		0.90 kg
MCHQ150V24-GE		24 V	6.25 A				216 x 63 x 37 mm		
MCHQ200V12-GE	200 W	12 V	16.60 A				216 x 63 x 37 mm		0.94 kg
MCHQ200V24-GE		24 V	8.33 A				216 x 63 x 37 mm		
MCHQ240V12-GE	216 W	12 V	18 A				261 x 62.5 x 41.4 mm		1.19 kg
MCHQ240V24-GE	240 W	24 V	10.00 A						
MCHQ320V12-GE	300 W	12 V	24.20 A						
MCHQ320V24-GE	320 W	24 V	13.30 A						

# POS-DA 75 ~ 150 W voltage (IP20)

- Convert DALI signal to PWM
- Built-in push dimming
- Comply to DALI standard (IEC62386-101,102,207)
- Dimming range 0.1% - 100%
- IP20 protection degree
- Up to 2 years warranty



Model	Power	Voltage range	Current	Protection	Safety & EMC	Working temperature	Dimensions (L x W x H)	Weight
POS-DA01	75 W	12 V	6.25 A	over current	EN61347-2-13, 62386-101,102, 207	-40°C ÷ +50°C	78 x 39.8 x 16 mm	0.39 kg
	150 W	24 V						

# POS-C2<sup>35</sup> ~ 350 W voltage (IP20)



- Constant voltage design
- EU input voltage range: 108 - 264 V AC
- Low profile - 30 mm high
- 100 % full load burn-in test
- Cooling by free air convection (except POS-350-12-C - Cooling by forced air convection)
- Up to 3 years warranty



Model	Power	Voltage	Current	Protection	Safety & EMC	Working temperature	Dimensions (L × W × H)	Weight
POS-35-5-C2	35 W	5 V	7.00 A	short circuit, overload, over voltage	EN62368-1, EN55032, EN55035, EN61000-3-2, EN61000-3-3	-30°C ~ +70°C	99 × 82 × 30 mm	0.20 kg
POS-35-12-C2	36 W	12 V	3.00 A					
POS-35-24-C2		24 V	1.50 A					
POS-50-5-C2	50 W	5 V	10.00 A				99 × 82 × 30 mm	0.22 kg
POS-50-12-C2	50.4 W	12 V	4.20 A					
POS-50-24-C2	50.4 W	24 V	2.10 A				99 × 97 × 30 mm	0.25 kg
POS-75-5-C2	60 W	5 V	12.00 A					
POS-75-12-C2	72 W	12 V	6.00 A					
POS-75-24-C2	76.8 W	24 V	3.20 A				129 × 97 × 30 mm	0.35 kg
POS-100-5-C2	80 W	5 V	16.00 A					
POS-100-12-C2	100.8 W	12 V	8.40 A					
POS-100-24-C2	100.8 W	24 V	4.20 A					
POS-150-12-C2	150 W	12 V	12.50 A				159 × 97 × 30 mm	0.38 kg
POS-150-24-C2	150 W	24 V	6.25 A					
POS-200-12-C2	200.4 W	12 V	16.70 A				215 × 115 × 30 mm	0.30 kg
POS-200-24-C2	199.2 W	24 V	8.30 A					
POS-350-12-C2	350.4 W	12 V	29.20 A	215 × 115 × 30 mm	0.65 kg			
POS-350-24-C2	350.4 W	24 V	14.60 A					
POS-500-12-C2	500.4 W	12 V	41.7 A	short circuit, overload, over voltage, over temperature	EN62368-1, EN55032, EN55035, EN61000-3-2, EN61000-3-3	230 × 127 × 40.5 mm	0.97 kg	
POS-500-24-C2	504 W	24 V	21 A					

# DIN class II PSU 15 ~ 100 W voltage (IP20)



- Can be installed on TS-35 / DIN Rail
- EU input voltage range: 180 - 264 V AC
- Isolation class II (no earth pin)
- 100 % full load burn-in test
- Cooling by free air convection
- Excellent quality/price ratio
- 2 year warranty



~~RoHS~~ LPS SELV UK CA CE

Model	Power	Voltage	Current	Protection	Safety & EMC	Working temperature	Dimensions (L x W x H)	Weight
DIN15W	15 W	12 V	1.25 A	short circuit, overload, over voltage, over temperature	EN62368-1, EN55032, EN55035	-20°C ~ +50°C	25 x 92.5 x 56 mm	0.10 kg
		15 V	1.00 A					
		24 V	0.63 A					
DIN30W	30 W	12 V	2.50 A					
		15 V	2.0 A					
		24 V	1.25 A					
DIN60W	60 W	12 V	5.00 A					
		24 V	2.50 A					
DIN100W	99.6 W	12 V	8.30 A					
		24 V	4.15 A					

# MDIN class I PSU 20 ~ 100 W voltage (IP20)

- Cooling by free air convection
- EU input voltage range: 180 - 264 V AC
- Can be installed on DIN Rail TS-35/7.5 or 15
- 100 % full load burn-in test
- DC ok signal (Relay type) (except MDIN20W - Open collector type)
- Up to 2 years warranty



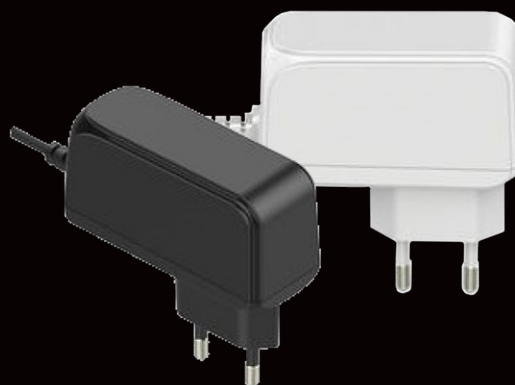
~~RoHS~~ LPS SELV UK CA CE

Model	Power	Voltage	Current	Protection	Safety & EMC	Working temperature	Dimensions (L x W x H)	Weight
MDIN20W	20 W	12 V	1.67 A	short circuit, overload, over voltage, over temperature	EN62368-1, EN55032, EN55024	-20°C + +50°C	100 x 94 x 23 mm	0.15 kg
	24 W	24 V	1.00 A					
MDIN40W	40 W	12 V	3.33 A					
		24 V	1.70 A					
MDIN60W	60 W	12 V	5.00 A					
		24 V	2.50 A					
MDIN100W	100 W	12 V	7.50 A					
	96 W	24 V	4.00 A					

# POS - ADAPTER series 2.75 ~ 36 W



- EU input voltage range / Full range
- ErP step II / CEC level VI compliance
- No load power consumption  $P < 0.075W$
- Protections: Overload / Short circuit / Over Voltage



Model	Power	Voltage	Current	Working temperature	Dimensions (L × W × H)	Color	Safety & EMC	
POS05055A	2.75 W	5 V	0.55 A	0°C + 45°C	37.37 × 23.56 × 54.37 mm	Black	EN 62368-1 EN55032 EN61000-3-3 EN61000-3-2 EN61000-4-2,-3,-4,-5	
POS05100A	5 W	5 V	1.00 A	0°C + 45°C	37.37 × 23.56 × 54.37 mm			White
POS05100A-MU								
POS05100A-MU-WH						Black		
POS06100A	6 W	6 V	1.00 A	0°C + 25°C	37.75 × 23.55 × 52.2 mm	White		
POS06100A-WH						Black		
POS12050A	6 W	12 V	0.50 A	0°C + 40°C	38 × 25 × 88.6 mm	Black		
POS09100A	9 W	9 V	1.00 A		76.2 × 27.6 × 61.6 mm	Black		
POS05200A	10 W	5 V	2.00 A			76.2 × 27.6 × 61.6 mm		Black
POS05200A-MICRO								White
POS05200A-WHmicro								Black
POS05200A-WH								White
POS12100A	12 W	12 V	1.00 A		76.2 × 27.6 × 61.6 mm	Black		
POS24050A	12 W	24 V	0.50 A		61.6 × 27.6 × 38.86 mm	Black		
POS12120A	14.4 W	12 V	1.20 A		69.1 × 27.6 × 78.86 mm	Black		
POS12120A-WH					69.1 × 27.6 × 79.2 mm	White		
POS05300A	15 W	5 V	3.00 A		46.5 × 23.3 × 55.1 mm	Black		
POS12150A	18 W	12 V	1.50 A		69.1 × 27.6 × 79.2 mm	Black		
POS12150A-WH						White		
POS12200A	24 W	12 V	2.00 A		82.2 × 32.6 × 74.2 mm	Black		
POS24100A	24 W	24 V	1.00 A		82.2 × 32.6 × 74.2 mm			
POS12300A	36 W	12 V	3.00 A		86.9 × 35.2 × 89.6 mm			
POS24150A	36 W	24 V	1.50 A	89.6 × 35.1 × 49.5 mm				



# POSB - ADAPTER series 6 ~ 36 W



- EU input voltage range / Full range
- ErP step II / CEC level VI compliance
- No load power consumption  $P < 0.075W$
- Protections: Overload / Short circuit / Over Voltage



Model	Power	Voltage	Current	Working temperature	Dimensions (L × W × H)	Color	Safety & EMC
POSB06100A	6 W	6 V	1.00 A	0°C ÷ 45°C	67 × 38 × 74 mm	Black	EN 62368-1 EN55032 EN61000-3-3 EN61000-3-2 EN61000-4-2,-3,-4,-5
POSB06100A-WH						White	
POSB12050A	6 W	12 V	0.50 A	0°C ÷ 45°C	67 × 38 × 74 mm	Black	
POSB09100A	9 W	9 V	1.00 A	0°C ÷ 45°C	67 × 38 × 74 mm	Black	
POSB09100A-WH						White	
POSB05200A	10 W	5 V	2.00 A	0°C ÷ 45°C	67 × 38 × 74 mm	Black	
POSB05200A-MICRO						White	
POSB05200A-WH-MICRO							
POSB05200A-WH							
POSB05210A-2USB	10.5 W	5 V	2.10 A	0°C ÷ 35°C	37.1 × 24.2 × 75.3 mm	Black	
POSB06200A	12 W	6 V	2.00 A	0°C ÷ 45°C	67 × 38 × 74 mm	Black	
POSB06200A-WH						White	
POSB12100A	12 W	12 V	1.00 A	-10°C ÷ 45°C	67 × 38 × 74 mm	Black	
POSB12100A-WH				White			
POSB12100A-E1/U1/U2/ A3				0°C ÷ 40°C	62 × 39.2 × 35 mm	Black	
POSB24050A-E1/U1/U2/ A3	12 W	24 V	0.50 A	0°C ÷ 40°C	62 × 39.2 × 35 mm	Black	
POSB24050A				0°C ÷ 45°C	67 × 38 × 74 mm	White	
POSB24050A-WH				67 × 38 × 74 mm			
POSB05310A-2USB	15.5 W	5 V	3.10 A	0°C ÷ 35°C	46.5 × 23.3 × 55.1 mm	Black	
POSB12150A	18 W	12 V	1.50 A	-10°C ÷ 45°C	67 × 38 × 74 mm	Black	
POSB12150A-WH						White	
POSB12200A	24 W	12 V	2.00 A	-10°C ÷ 45°C	67 × 38 × 74 mm	Black	
POSB12200A-E1/U1/U2/A3					71.5×43.5×31.5mm		
POSB24100A-E1/U1/U2/A3					71.5×43.5×31.5mm		
POSB24100A-WH	24 W	24 V	1.00 A	-10°C ÷ 45°C	67 × 38 × 74 mm	White	
POSB24100A					Black		
POSB12250A-WH	30 W	12 V	2.50 A	0°C ÷ 45°C	93.58 × 46.57 × 70.1 mm	White	
POSB12300A	36 W	12 V	3.00 A	-10°C ÷ 45°C	93.58 × 46.57 × 70.1 mm	Black	
POSB24150A	36 W	24 V	1.50 A	0°C ÷ 45°C			

# POSC - ADAPTER series 5 ~ 36 W



- EU input voltage range / Full range
- ErP step II / CEC level VI compliance
- MTBF > 100.000 h
- Protections: Overload / Short circuit / Over Voltage



Model	Power	Voltage	Current	Working temperature	Dimensions (L x W x H)	Color	Safety & EMC
POSC05100A-USB	5 W	5 V	1.00 A	-5°C + 40°C	83 x 36 x 24 mm	Black	EN 62368-1 EN55032 EN61000-3-3 EN61000-3-2 EN61000-4-2,-3, -4,-5
POSC05100A-WH-USB						White	
POSC06100A-WH	6 W	6 V	1.00 A		56 x 28 x 42 mm	White	
POSC12050A	6 W	12 V	0.50 A		56 x 28 x 42 mm	Black	
POSC07100A	7.5 W	7.5 V	1.00 A				
POSC09100A	9 W	9 V	1.00 A				
POSC05200A	10 W	5 V	2.00 A	-5°C + 40°C	56 x 28 x 42 mm	Black	
POSC05200A-MICRO						White	
POSC05200A-WHmicro							
POSC05200A-WH							
POSC12100A	12 W	12 V	1.00 A	-5°C + 40°C	56 x 28 x 42 mm	Black	
POSC12100A-WH						White	
POSC24050A	12 W	24 V	0.50 A		56 x 28 x 42 mm	Black	
POSC05300A	15 W	5 V	3.00 A				
POSC48027A	13 W	48 V	0.27 A				
POSC15100A	15 W	15 V	1.00 A				
POSC15160A	24 W	15 V	1.60 A	-5°C + 40°C	69.4 x 30 x 64.1 mm	Black	
POSC12200A	24 W	12 V	2.00 A	69.4 x 30 x 64.1 mm			
POSC12200A-H							
POSC24100A	24 W	24 V	1.00 A	86.5 x 50 x 32.8 mm			
POSC24100A-H							
POSC24150A-H							
POSC12300A-H	36 W	12 V	3.00 A				



# POSB - DESKTOP series 12 ~ 60 W



- EU input voltage range: / Full range
- ErP step II / CEC level VI compliance
- No load power consumption  $P < 0.075$  W
- Protections: Overload / Short circuit / Over Voltage



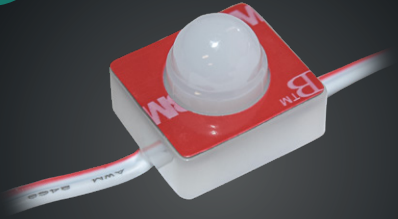
Model	Power	Voltage	Current	Working temperature	Dimensions (L × W × H)	Color	Safety & EMC
POSB12100D	12 W	12 V	1 A	0°C ÷ 40°C	67 × 43.5 × 74 mm	Black	EN 62368-1 EN55032 EN61000-3-3 EN61000-3-2 EN61000-4-2,-3,-4,-5
POSB12200D	24 W		2 A		96 × 68 × 31 mm		
POSB12300D	36 W		3 A		93.58 × 46.57 × 70.1 mm		
POSB12500D	60 W		5 A		115 × 74 × 31 mm		

# POSC - DESKTOP series 24 ~ 120 W

- EU input voltage range: / Full rang
- ErP step II / CEC level VI compliance
- MTBF > 100.000 h
- Protections: Overload / Short circuit / Over Voltage



Model	Power	Voltage	Current	Working temperature	Dimensions (L × W × H)	Color	Safety & EMC	
POSC12200D-C8-WH	24 W	12 V	2.00 A	-5°C ÷ 40°C	115 × 50 × 30 mm	White	EN 62368-1 EN55032 EN61000-3-3 EN61000-3-2 EN61000-4-2,-3,-4,-5	
POSC12250D-C8-WH	30 W		2.50 A		116 × 50 × 30 mm	Black		
POSC12300D-C8	36 W		3.00 A		117 × 50 × 30 mm	White		
POSC12300D-C8-WH			3.00 A		118 × 50 × 30 mm	Black		
POSC12333D-C14	40 W		3.34 A		119 × 50 × 30 mm	Black		
POSC12500D-C14	60 W		5.00 A		120 × 50 × 30 mm			
POSC12500D-C8					121 × 50 × 30 mm			
POSC12500D-C8-WH					122 × 50 × 30 mm	White		
POSC121000D-C14	120 W		12 V		10.00 A	152.4 × 64 × 35 mm		Black
POSC15400D-C14	60 W		15 V		4.00 A	121.3 × 53.6 × 31.2 mm		
POSC18333D-C14		18 V	3.33 A	142.3 × 60.3 × 33.2 mm				
POSC19473D-C14-25	90 W	19 V	4.73 A	152.4 × 64 × 35 mm				
POSC20600D-C14-25	120 W	20 V	6.00 A	121.3 × 53.6 × 31.2 mm				
POSC24250D-C14	60 W	24 V	2.50 A	142.3 × 60.3 × 33.2 mm				
POSC24375D-C14	90 W		3.75 A	121.3 × 53.6 × 31.2 mm				
POSC48125D-C14	60 W	48 V	1.25 A	142.3 × 60.3 × 33.2 mm				
POSC48187D-C14	90 W		1.87 A	121.3 × 53.6 × 31.2 mm				



# MW-MLD-PIXEL-1X

for channel letters  
X - color of light: W, R or G

## Features

- IP68 waterproof, injection molded
- Constant current drive (CC)
- Internal current stabilization (CC)
- Wide Color palette
- UV resistant
- 5 years warranty

## Application

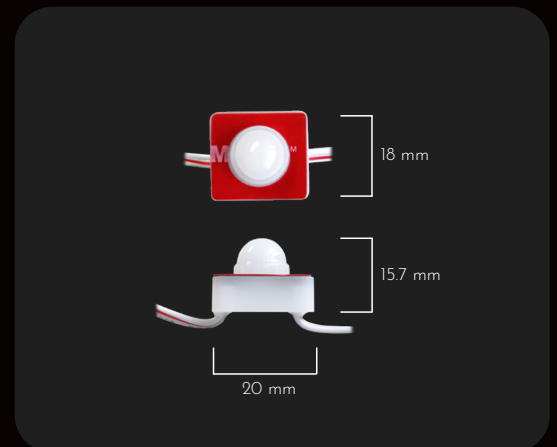
- Chanel letters
- Pharmacy crosses



Power supply	12 W	18 W	24 W	36 W	50 W	60 W	75 W	100 W	120 W	150 W	200 W	300 W
Number of modules	30	45	60	90	125	150	188	250	300	375	500	750



	Model	MW-MLD-PIXEL-1R / -1G / 1W
Supply	Rated voltage	12 V DC +/- 5%
	Power per module	0.36 W
	Current per 1 module	30 mA
	Chain power consumption	18 W
Diodes	Chain length	50 pcs / 4.5 m
	Color temperature	R - Red (620 - 630 nm) G - Green (520 - 530 nm) W - White (6500K)
	Luminous flux	R - 21 lm G - 4.5 lm W - 29 lm
	Flux density	R - 58 lm/W G - 12.5 lm/W W - 81 lm/W
	Lens	145°
	Lifetime	L70B50 > 50k hrs
Connection	Soldering	-
	Screw terminal	-
Wires	Wire length	65 mm
	Center - center length	86 mm
	Wires	White - red (+), White (-)
Environment	IP protection	IP68
	Temperature	Working: -25°C ... 55°C
Dimension	Height, width, length	18 x 20 x 15.7 mm
Montage	Adhesive tape	-
	Mounting screw	-
	Hole size	-
Other	Case material	ABS, PC cover
	Pcs in bag / box	100 / 1000 pcs





# MW-SAMSUNG-3W

for lightboxes 8 - 20 cm depth

## Features

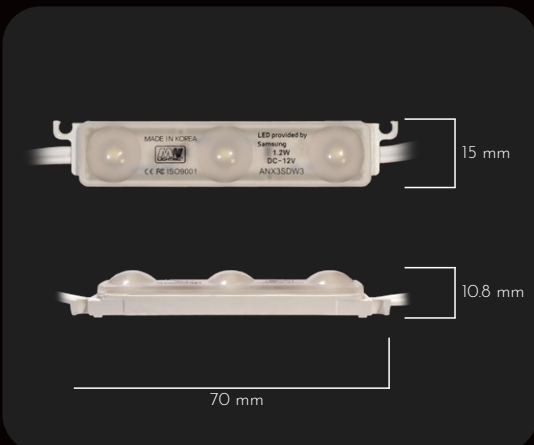
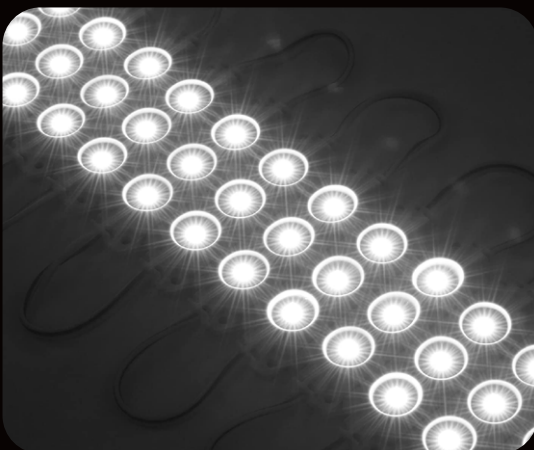
- SMD LED mounted in Korea
- KS, CE, CB, IECCE, UL, SIRC (SASO) certificated
- Technical size & compact design
- Safe & stable operation with DC12 V (constant - voltage)
- Humid & water - proof: passed IP68
- Easy installation with tape & screw with 3 mm bolts

## Application

- Back lighting for signage & channel letter
- Outdoor lighting: advertising
- Indoor lighting: house, office, hospital, bank, school etc.
- Public lighting: road signs, direction signs
- Decorative lighting: sculpture, tower
- Business lighting: storefront (store window), shelf, showcase
- Vehicle lighting: vans, caravans, trailers, lorries
- Architectural lighting



Power supply	12 W	18 W	24 W	35 W	60 W	75 W	100 W	150 W	200 W
Number of modules	10	15	20	30	50	60	83	100	160



	Model	MW-SAMSUNG-3W
Supply	Rated voltage	12 V DC
	Power per module	1.2 W
	Current per 1 module	100 mA
	Chain power consumption	60 W
Diodes	Chain length	50 pcs / 7.8 m
	Color temperature	White (6500K)
	Luminous flux	95 lm
	Flux density	79 lm/W
	Lens	165°
Connection	Lifetime	L70B50 > 50k hrs
	Soldering	Yes
Wires	Screw terminal	Yes
	Wire length	90 mm
	Center - center length	160 mm
Environment	Wires	White - red (+), White (-)
	IP protection	IP68
Dimension	Temperature	Working: -30°C ... +70°C
Montage	Height, width, length	10.8 x 15 x 70 mm
	Adhesive tape	Yes
	Mounting screw	Yes
Other	Hole size	M3
	Case material	ABS
	Pcs in bag / box	200 / 2000 pcs



# MW-MLD-HE-1X-LENS170

for lightboxes 4 - 8 cm depth  
X - color of light: W, NW, WW or CW

## Features

- High efficiency 153 lm/W
- 3 MacAdam ellipse each bin
- IP67 waterproof, injection molded
- Internal current stabilization (CC)
- Built-in heat sink plate
- 7 years warranty

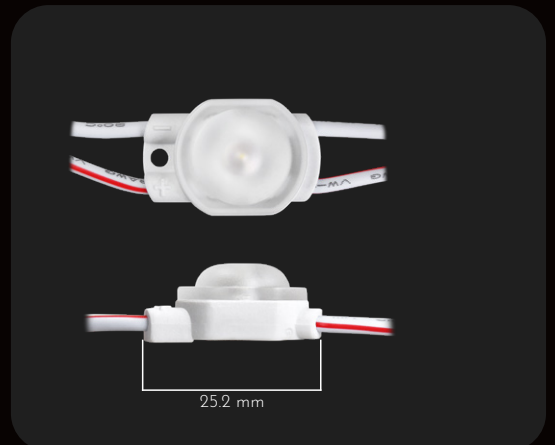
## Application

- Chanel letters
- lightboxes backlight, depth of 4 - 8 cm (1LED)



Power supply	12 W	18 W	24 W	36 W	50 W	60 W	75 W	100 W	120 W	150 W	200 W	300 W
Number of modules	30	45	60	90	125	150	188	250	300	375	500	750

	Model	MW-MLD-HE-IX-LENS170
Supply	Rated voltage	12 V DC +/- 5%
	Power per module	0.36 W
	Current per 1 module	30 mA
	Chain power consumption	14.4 W
Diodes	Chain length	40 pcs / 5.8 m
	Color temperature	WW - Warm White (3000K) NW - Neutral White (4000K) W - White (7000K) CW - Cold White (10000K)
	Luminous flux	55 lm
	Flux density	153 lm/W
	Lens	170°
	Lifetime	L70B50 > 50k hrs
Connection	Soldering	Yes
	Screw terminal	Yes
Wires	Wire length	120 mm
	Center - center length	145 mm
	Wires	White - red (+), White (-)
Environment	IP protection	IP67
	Temperature	Working: -25°C ... +55°C
Dimension	Height, width, length	10.5 x 16.3 x 25.2 mm
Montage	Adhesive tape	Yes
	Mounting screw	Yes
	Hole size	M3
Other	Case material	ABS, PC Cover
	Pcs in bag / box	200 / 2000 pcs





# MW-MLD-HE-2X-LENS170

for lightboxes 8 - 15 cm depth  
X - color of light: W, NW, WW or CW

## Features

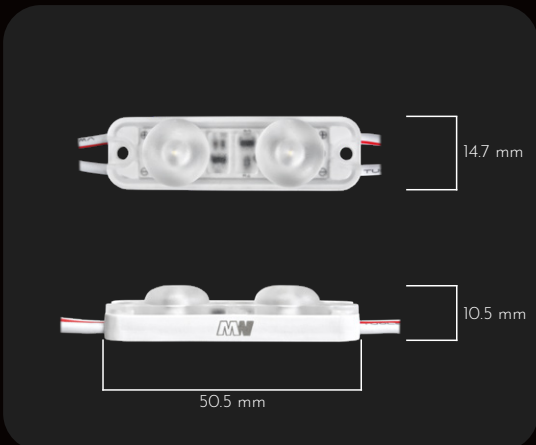
- High efficiency 118 lm/W
- 3 MacAdam ellipse each bin
- IP67 waterproof, injection molded
- Internal current stabilization (CC)
- Built-in heat sink plate
- 7 years warranty

## Application

- Chanel letters
- lightboxes backlight, depth of 8 - 15 cm (2LED)



Power supply	12 W	18 W	24 W	36 W	50 W	60 W	75 W	100 W	120 W	150 W	200 W	300 W
Number of modules	15	23	30	45	63	75	94	125	150	188	250	375



	Model	MW-MLD-HE-2X-LENS170
Supply	Rated voltage	12 V DC +/- 5%
	Power per module	0.72 W
	Current per 1 module	60 mA
	Chain power consumption	21.6 W
Diodes	Chain length	30 pcs / 5 m
	Color temperature	WW - Warm White (3000K) NW - Neutral White (4000K) W - White (7000K) CW - Cold White (10000K)
	Luminous flux	85 lm
	Flux density	118 lm/W
	Lens	170°
Connection	Lifetime	L70B50 > 50k hrs
	Soldering	Yes
	Screw terminal	Yes
Wires	Wire length	99.5 mm
	Center - center length	150 mm
	Wires	White - red (+), White (-)
Environment	IP protection	IP67
	Temperature	Working: -25°C ... +55°C
Dimension	Height, width, length	10.5 x 14.7 x 50.5 mm
Montage	Adhesive tape	Yes
	Mounting screw	Yes
	Hole size	M3
Other	Case material	ABS, PC Cover
	Pcs in bag / box	150 / 1500 pcs



## MW-MLD-HE-3X-LENS170

for lightboxes 10 - 20 cm depth  
X - color of light: W, NW, WW or CW

### Features

- High efficiency 139 lm/W
- 3 MacAdam ellipse each bin
- IP67 waterproof, injection molded
- Internal current stabilization (CC)
- Built-in heat sink plate
- 7 years warranty

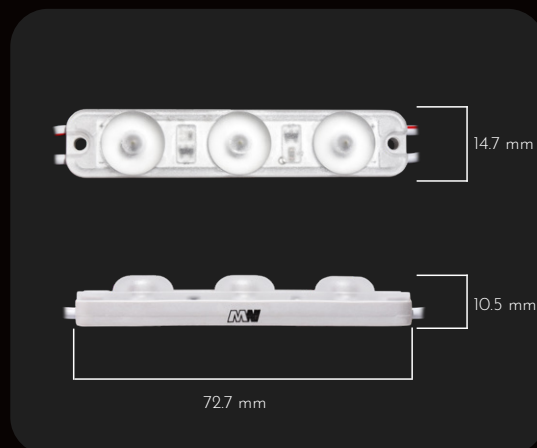
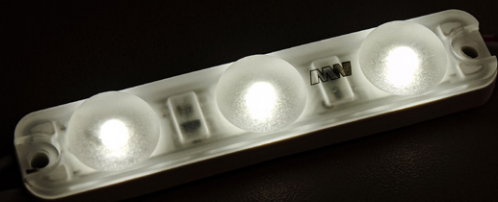
### Application

- Chanel letters
- lightboxes backlight, depth of 10 - 20 cm (3LED)



Power supply	12 W	18 W	24 W	36 W	50 W	60 W	75 W	100 W	120 W	150 W	200 W	300 W
Number of modules	11	17	23	34	47	56	70	94	113	141	188	281

	Model	MW-MLD-HE-3X-LENS170
Supply	Rated voltage	12 V DC +/- 5%
	Power per module	0.9 W
	Current per 1 module	75 mA
	Chain power consumption	22.5 W
Diodes	Chain length	25 pcs / 5 m
	Color temperature	WW - Warm White (3000K) NW - Neutral White (4000K) W - White (7000K) CW - Cold White (10000K)
	Luminous flux	125 lm
	Flux density	139 lm/W
	Lens	170°
	Lifetime	L70B50 > 50k hrs
Connection	Soldering	Yes
	Screw terminal	Yes
Wires	Wire length	107 mm
	Center - center length	180 mm
	Wires	White - red (+), White (-)
Environment	IP protection	IP67
	Temperature	Working: -25°C ... +55°C
Dimension	Height, width, length	10.5 x 14.7 x 72.7 mm
Montage	Adhesive tape	Yes
	Mounting screw	Yes
	Hole size	M3
Other	Case material	ABS, PC Cover
	Pcs in bag / box	100 / 1000 pcs







# MW-MLD-HE-4X-LENS170

for lightboxes 13 - 30 cm depth  
X - color of light: W, NW, WW or CW

## Features

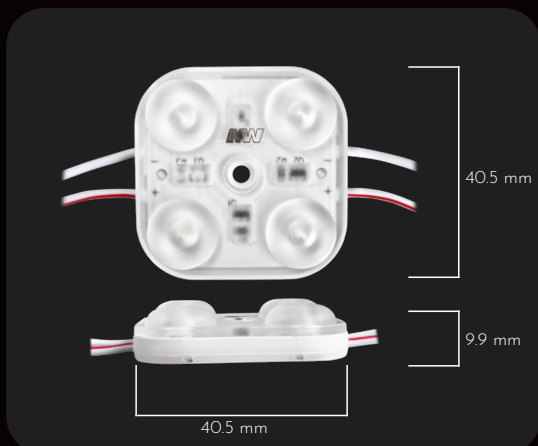
- High efficiency 115 lm/W
- 3 MacAdam ellipse each bin
- IP67 waterproof, injection molded
- Internal current stabilization (CC)
- Built-in heat sink plate
- 7 years warranty

## Application

- Chanel letters
- lightboxes backlight, depth of 13 - 30 cm (4LED)



Power supply	12 W	18 W	24 W	36 W	50 W	60 W	75 W	100 W	120 W	150 W	200 W	300 W
Number of modules	5	8	11	16	23	27	34	45	54	68	90	135



	Model	MW-MLD-HE-4X-LENS170
Supply	Rated voltage	24 V DC +/- 5%
	Power per module	1.92 W
	Current per 1 module	80 mA
	Chain power consumption	38.4 W
Diodes	Chain length	20 pcs / 5 m
	Color temperature	WW - Warm White (3000K) NW - Neutral White (4000K) W - White (7000K) CW - Cold White (10000K)
	Luminous flux	220 lm
	Flux density	115 lm/W
	Lens	170°
	Lifetime	L70B50 > 50k hrs
Connection	Soldering	Yes
	Screw terminal	Yes
Wires	Wire length	215 mm
	Center - center length	255 mm
	Wires	White - red (+), White (-)
Environment	IP protection	IP67
	Temperature	Working: -25°C ... +55°C
Dimension	Height, width, length	9.9 x 40.5 x 40.5 mm
Montage	Adhesive tape	Yes
	Mounting screw	Yes
	Hole size	M3
Other	Case material	ABS, PC Cover
	Pcs in bag / box	60 / 600 pcs



## MW-MLD-2835-1W-LENS

for lightboxes 3 - 10 cm depth

### Features

- IP 67 waterproof, injection molded
- Internal current stabilization (CC)
- Built-in heat sink plate
- 5 years warranty

### Application

- Letters of light
- Advertising boxes with a depth of 3 - 10 cm
- POS systems
- Backlighting of furniture



Power supply	12 W	18 W	24 W	36 W	50 W	60 W	75 W	100 W	120 W	150 W	200 W	300 W
Number of modules	23	34	45	68	94	113	141	188	225	281	375	563

	Model	MW-MLD-2835-1W-LENS
Supply	Rated voltage	12 V DC +/- 5%
	Power per module	0.3 W
	Current per 1 module	25 mA
	Chain power consumption	15 W
Diodes	Chain length	50 pcs / 4.2 m
	Color temperature	White (6500K)
	Luminous flux	33 lm
	Flux density	110 lm/W
	Lens	160°
Connection	Lifetime	L70B50 > 50k hrs
	Soldering	Yes
Wires	Screw terminal	Yes
	Wire length	60 mm
	Center - center length	90 mm
Environment	Wires	White - red (+), White (-)
	IP protection	IP67
Dimension	Temperature	Working: -25°C ... +55°C
	Height, width, length	6 x 16 x 30 mm
Montage	Adhesive tape	Yes
	Mounting screw	Yes
	Hole size	M3
Other	Case material	ABS
	Pcs in bag / box	200 / 4200 pcs



# MW-MLD-2835-2X-LENS

for lightboxes 3 - 10 cm depth

X - color of light: W, NW, WW, CW, R, G, B or Y

## Features

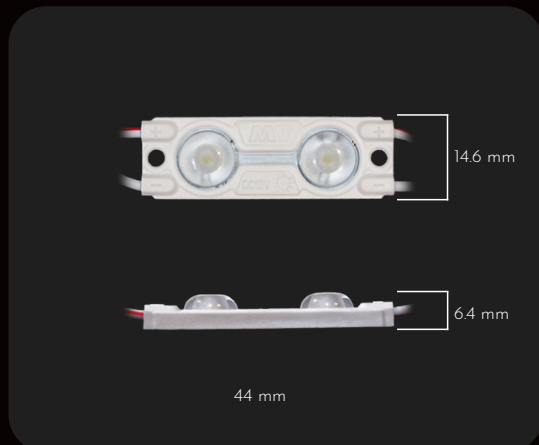
- IP67 waterproof, injection molded
- Internal current stabilization (CC)
- Built-in heat sink plate
- 5 years warranty

## Application

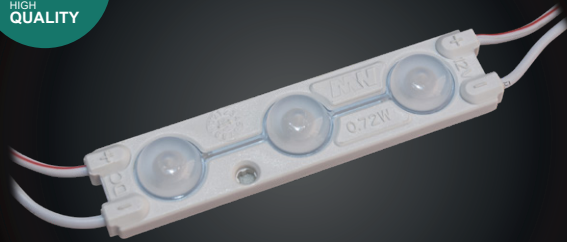
- Letters of light
- lightboxes backlight, depth of 3 - 10 cm (2LED)
- POS systems
- Backlighting of furniture



Power supply	12 W	18 W	24 W	36 W	50 W	60 W	75 W	100 W	120 W	150 W	200 W	300 W
Number of modules	23	34	45	68	94	113	141	188	225	281	375	563



	Model	MW-MLD-2835-2X-LENS	
Supply	Rated voltage	12 V DC +/- 5%	
	Power per module	0.48 W	
	Current per 1 module	40 mA	
	Chain power consumption	24 W	
	Chain length	50 pcs / 5.3 m	
Diodes	Color temperature	WW - Warm White (3000K) NW - Neutral White (4000K) W - White (6500K) CW - Cold White (12000K) R - Red (620 - 630 nm) G - Green (520 - 530 nm) B - Blue (460 - 470 nm) Y - Yellow (588 - 594 nm)	
	Luminous flux	46 lm	
	Flux density	96 lm/W	
	Lens	160°	
	Lifetime	L70B50 > 50k hrs	
	Connection	Soldering	Yes
		Screw terminal	Yes
Wires	Wire length	65 mm	
	Center - center length	110 mm	
Environment	Wires	White - red (+), White (-)	
	IP protection	IP67	
Dimension	Temperature	Working: -25°C ... +55°C	
	Height, width, length	6.4 x 14.6 x 44 mm	
Montage	Adhesive tape	Yes	
	Mounting screw	Yes	
	Hole size	M3	
Other	Case material	ABS	
	Pcs in bag / box	200 / 1600 pcs	



## MW-MLD-2835-3X-LENS

for lightboxes 8 - 20 cm depth

X - color of light: W, NW, WW, CW, R, G, B or Y

### Features

- IP67 waterproof, injection molded
- Internal current stabilization (CC)
- Built-in heat sink plate
- 5 years warranty

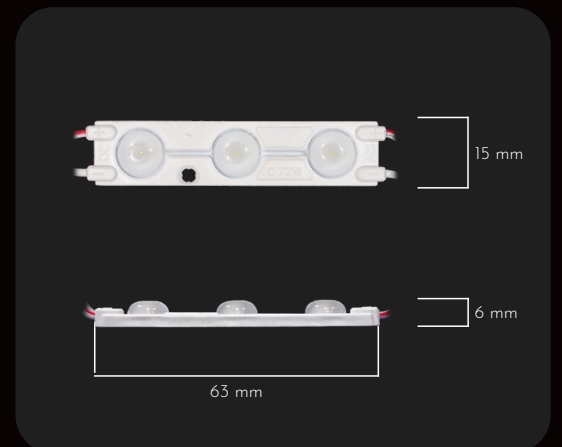
### Application

- Letters of light
- Advertising boxes with a depth of 8 - 20 cm (3LED)
- POS systems
- Backlighting of furniture



Power supply	12 W	18 W	24 W	36 W	50 W	60 W	75 W	100 W	120 W	150 W	200 W	300 W
Number of modules	15	23	30	45	63	75	94	125	150	188	250	375

	Model	MW-MLD-2835-3X-LENS	
Supply	Rated voltage	12 V DC +/- 5%	
	Power per module	0.72 W	
	Current per 1 module	60 mA	
	Chain power consumption	28.8 W	
	Chain length	40 pcs / 6.6 m	
Diodes	Color temperature	WW - Warm White (3000K) NW - Neutral White (4000K) W - White (6500K) CW - Cold White (12000K) R - Red (620 - 630 nm) G - Green (520 - 530 nm) B - Blue (460 - 470 nm) Y - Yellow (588 - 594 nm)	
	Luminous flux	60 lm (WW, NW, W, CW)	
	Flux density	84 lm/W	
	Lens	160°	
	Lifetime	L70B50 > 50k hrs	
	Connection	Soldering	Yes
		Screw terminal	Yes
Wires	Wire length	112 mm	
	Center - center length	175 mm	
	Wires	White - red (+), White (-)	
Environment	IP protection	IP67	
	Temperature	Working: -25°C ... +55°C	
Dimension	Height, width, length	6 x 15 x 63 mm	
Montage	Adhesive tape	Yes	
	Mounting screw	Yes	
	Hole size	M3	
Other	Case material	ABS	
	Pcs in bag / box	160 / 2560 pcs	





# MW-MLD-2835-4X-LENS

for lightboxes 10 - 25 cm depth  
X - color of light: W, WW, NW or CW

## Features

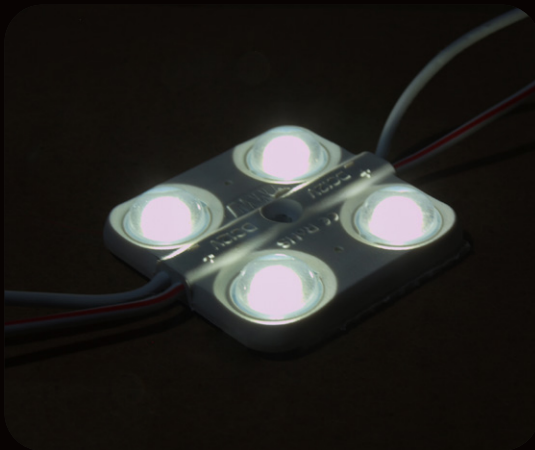
- IP67 waterproof, injection molded
- Internal current stabilization (CC)
- Built-in heat sink plate
- 5 years warranty

## Application

- Letters of light
- lightboxes backlight, depth of 10 - 25 cm (4LED)
- POS systems
- Backlighting of furniture



Power supply	12 W	18 W	24 W	36 W	50 W	60 W	75 W	100 W	120 W	150 W	200 W	300 W
Number of modules	9	14	18	27	38	45	56	75	90	113	150	225



Supply	Model	MW-MLD-2835-4X-LENS
	Rated voltage	12 V DC +/- 5%
	Power per module	1.2 W
	Current per 1 module	100 mA
Diodes	Chain power consumption	36 W
	Chain length	30 pcs / 6.2 m
	Color temperature	WW - Warm White (3000K) NW - Neutral White (4000K) W - White (6500K) CW - Cold White (12000K)
	Luminous flux	115 lm
	Flux density	96 lm/W
	Lens	160°
Connection	Lifetime	L70B50 > 50k hrs
	Soldering	Yes
Wires	Screw terminal	Yes
	Wire length	185 mm
	Center - center length	220 mm
Environment	Wires	White - red (+), White (-)
	IP protection	IP67
Dimension	Temperature	Working: -25°C ... +55°C
	Height, width, length	6 x 36 x 35.8 mm
Montage	Adhesive tape	Yes
	Mounting screw	Yes
	Hole size	M3
Other	Case material	ABS
	Pcs in bag / box	90 / 1440 pcs



# MW-MLD-3030-1X-LENS

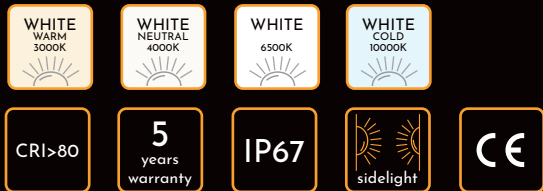
for lightboxes 10 - 20 cm depth  
X - color of light: W, NW, WW or CW

## Features

- IP67 waterproof sealed, injection molded
- Internal current stabilization (CC)
- Built-in heat sink plate
- 5 years warranty

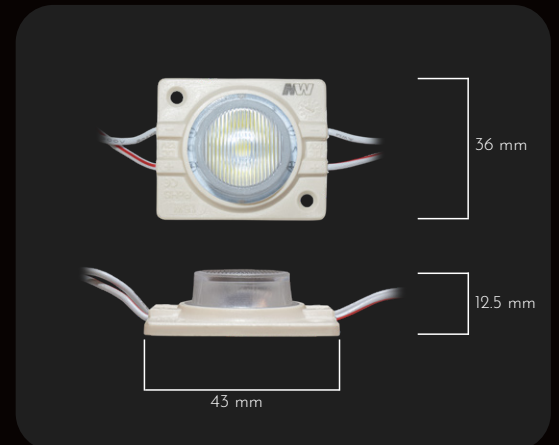
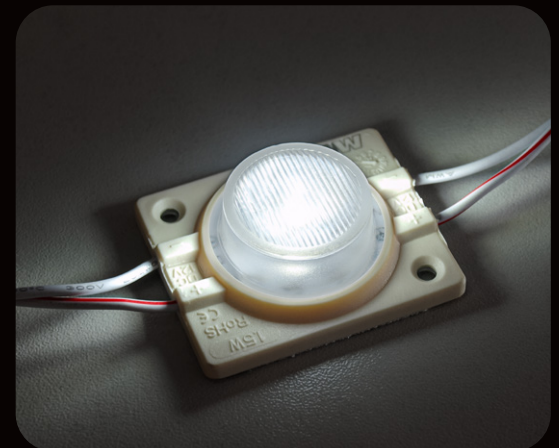
## Application

- Letters of light
- Double sided advertising boxes, lightboxes
- POS systems
- Backlighting of furniture



Power supply	12 W	18 W	24 W	36 W	50 W	60 W	75 W	100 W	120 W	150 W	200 W	300 W
Number of modules	8	11	15	23	31	38	47	63	75	94	125	188

	Model	MW-MLD-3030-1X-LENS
Supply	Rated voltage	12 V DC +/- 5%
	Power per module	1.5 W
	Current per 1 module	125 mA
	Chain power consumption	45 W
Diodes	Chain length	30 pcs / 4.6 m
	Color temperature	WW - Warm White (3000K) NW - Neutral White (4000K) W - White (6500K) CW - Cold White (10000K)
	Flux density	125 lm
	Flux density	83 lm/W
	Lens	15° x 55*
Connection	Lifetime	L70B50 > 50k hrs
	Soldering	Yes
Wires	Screw terminal	Yes
	Wire length	107 mm
	Center - center length	150 mm
Environment	Wires	White - red (+), White (-)
	IP protection	IP67
Dimension	Temperature	Working: -25°C ... +55°C
	Height, width, length	12.5 x 36 x 43 mm
Montage	Adhesive tape	Yes
	Mounting screw	Yes
	Hole size	M3
Other	Case material	ABS
	Pcs in bag / box	60 / 600 pcs





# MW-MLD-3535-3W-LENS-C1

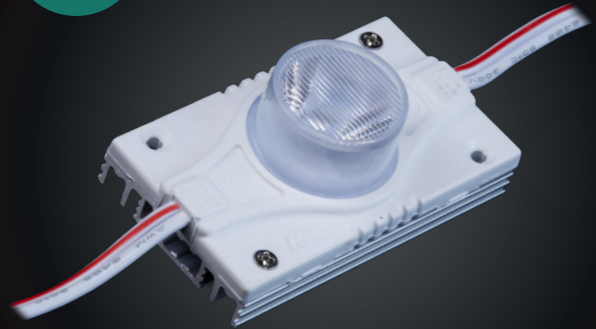
for lightboxes min. 12 - 30 cm depth

## Features

- IP67 waterproof sealed, injection molded
- Internal current stabilization (CC)
- Built-in heat sink plate
- 5 years warranty

## Application

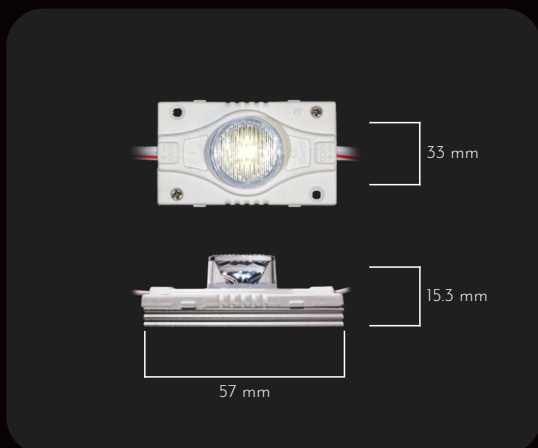
- Letters of light
- Double sided advertising boxes, lightboxes
- POS systems
- Backlighting of furniture



Power supply	12 W	18 W	24 W	36 W	50 W	60 W	75 W	100 W	120 W	150 W	200 W	300 W
Number of modules	4	5	7	11	15	18	23	30	36	45	60	90



	Model	MW-MLD-3535-3W-LENS-C1
Supply	Rated voltage	12 V DC +/- 5%
	Power per module	3 W
	Current per 1 module	250 mA
	Chain power consumption	60 W
Diodes	Chain length	20 pcs / 3.8 m
	Color temperature	White (6500K)
	Luminous flux	315 lm
	Flux density	105 lm/W
	Lens	20° x 40*
Connection	Lifetime	L70B50 > 50k hrs
	Soldering	Yes
Wires	Screw terminal	Yes
	Wire length	143 mm
	Center - center length	200 mm
Environment	Wires	White - red (+), White (-)
	IP protection	IP67
Dimension	Temperature	Working: -25°C ... +55°C
	Height, width, length	15.3 x 33 x 57 mm
Montage	Adhesive tape	Yes
	Mounting screw	Yes
	Hole size	M3
Other	Case material	ABS
	Pcs in bag / box	20 / 320 pcs



\*depending on the vertical or horizontal arrangement



# MISSOURI-1W

for lightboxes 4 - 15 cm depth

## Features

- Uniformity optical performance at high LED module distance thanks to excellent lens design
- 100 lm / module (6500K)
- 5 years warranty

## Application

- Signage and illuminated advertising
- Back-lighting for medium light box, channel letter



Power supply	12 W	18 W	24 W	36 W	50 W	60 W	75 W	100 W	120 W	150 W	200 W	300 W
Number of modules	11	17	22	33	46	55	69	92	110	138	183	280

	Model	MISSOURI-1W
Supply	Rated voltage	12 V DC
	Power per module	1 W
	Current per 1 module	83 mA
	Chain power consumption	30 W
Diodes	Chain length	30 pcs
	Color temperature	White (6500K)
	Flux density	90 lm
	Flux density	90 lm/W
	Lens	170°
Connection	Lifetime	L70B50 > 50k hrs
	Soldering	Yes
Wires	Screw terminal	Yes
	Wire length	188 mm
	Center - center length	221 mm
Environment	Wires	White - red (+), White (-)
	IP protection	IP66
Dimension	Temperature	Working: -25°C ... +60°C
	Height, width, length	10 x 23 x 33 mm
Montage	Adhesive tape	Yes
	Mounting screw	No
	Hole size	2.8 mm
Other	Case material	PVC
	Pcs in bag / box	90 / 2160 pcs





# ProLED-MINI-2X-CC070

for lightboxes 3 - 15 cm depth  
X - color of light: W, WW, NW or CW

## Features

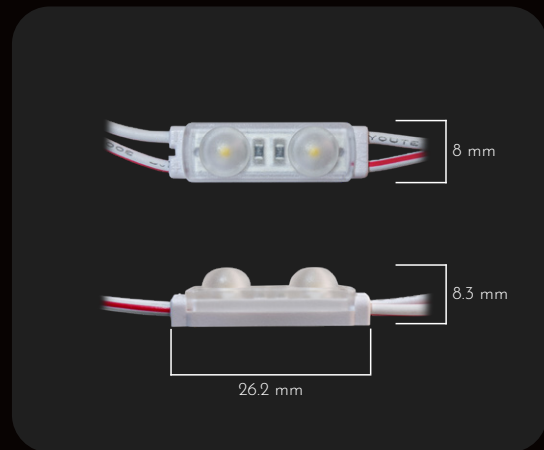
- IP67 waterproof, injection molded
- Special design for low depth 3D letters
- Internal 140 deg lens
- 7 years warranty

## Application

- Backlight in indoor and outdoor lightboxes
- Lightboxes with 3 - 15 cm depth



Power supply	12 W	18 W	24 W	36 W	50 W	60 W	75 W	100 W	120 W	150 W	200 W	300 W
Number of modules	22	32	43	65	90	108	135	180	216	270	360	540



	Model	PROLED-MINI-2X-CC070
Supply	Rated voltage	12 V DC
	Power per module	0.5 W
	Current per 1 module	42 mA
	Chain power consumption	25 W
Diodes	Chain length	50 pcs / 3.5 m
	Color temperature	WW - Warm White (3000K) NW - Neutral White (4000K) W - White (7000K) CW - Cold White (10000K)
	Luminous flux (module)	70 lm
	Flux density	140 lm/W
	Lens	140°
Connection	Lifetime	L70B50 > 50k hrs
	Soldering	Yes
Wires	Screw terminal	Yes
	Wire length	44 mm
	Center - center length	70 mm
Environment	Wires	White - red (+), White (-)
	IP protection	IP67
Dimension	Temperature	Working: -25°C ... +55°C
	Height, width, length	8.3 x 8 x 26.2 mm
Montage	Adhesive tape	Yes
	Mounting screw	Yes
	Hole size	-
Other	Case material	ABS
	Pcs in bag / box	200 / 5000 pcs



# ProLED-MINI-3X-CC100

for lightboxes 3 - 15 cm depth  
X - color of light: W, WW, NW or CW

## Features

- IP67 waterproof, injection molded
- Special design for low depth 3D letters
- Internal 140 deg lens
- 7 years warranty

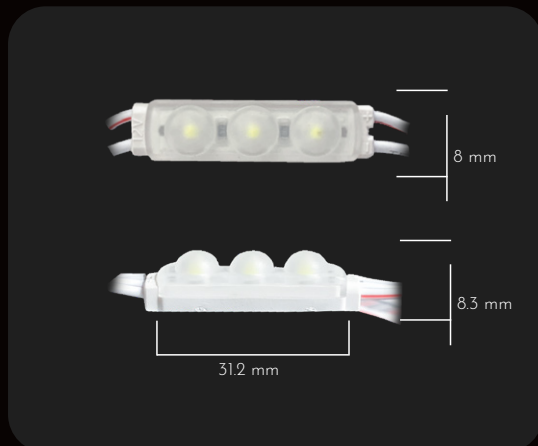
## Application

- Backlight in indoor and outdoor lightboxes
- Lightboxes with 3 - 15 cm depth



Power supply	12 W	18 W	24 W	36 W	50 W	60 W	75 W	100 W	120 W	150 W	200 W	300 W
Number of modules	15	23	30	45	63	75	94	125	150	188	250	375

	Model	PROLED-MINI-3X-CC100
Supply	Rated voltage	12 V DC
	Power per module	0.72 W
	Current per 1 module	60 mA
	Chain power consumption	36 W
Diodes	Chain length	50 pcs / 3.5 m
	Color temperature	WW - Warm White (3000K) NW - Neutral White (4000K) W - White (7000K) CW - Cold White (10000K)
	Luminous flux (module)	WW, NW, CW - 65 lm W - 72 lm
	Flux density	WW, NW, CW - 90 lm/W W - 100 lm/W
	Lens	140°
	Lifetime	L70B50 > 50k hrs
Connection	Soldering	Yes
	Screw terminal	Yes
Wires	Wire length	69 mm
	Center - center length	100 mm
	Wires	White - red (+), White (-)
Environment	IP protection	IP67
	Temperature	Working: -25°C ... +55°C
Dimension	Height, width, length	8.3 x 8 x 31.2 mm
Montage	Adhesive tape	Yes
	Mounting screw	Yes
	Hole size	-
Other	Case material	ABS
	Pcs in bag / box	200 / 5000 pcs





# ProLED-1X-CC100

for lightboxes 3 - 8 cm depth  
X - color of light: W, WW, CW or NW

## Features

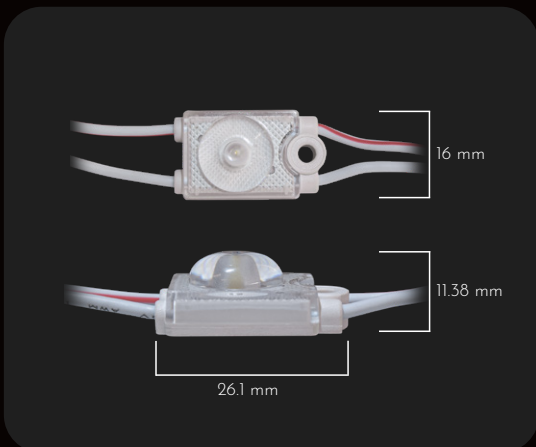
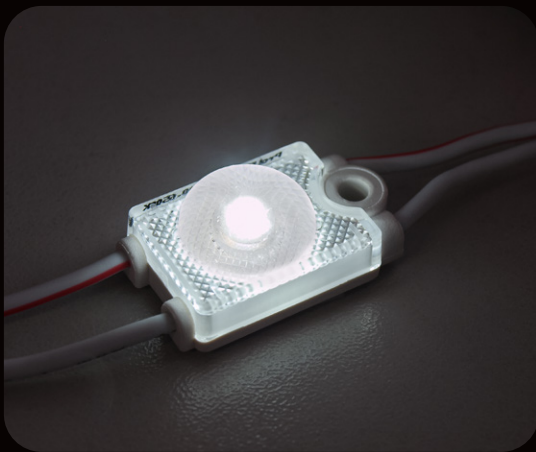
- IP67 waterproof, injection molded
- Microlens front side design
- Internal 175 deg lens
- 7 years warranty

## Application

- Backlight in indoor and outdoor lightboxes
- Lightboxes with 3 - 8 cm depth



Power supply	12 W	18 W	24 W	36 W	50 W	60 W	75 W	100 W	120 W	150 W	200 W	300 W
Number of modules	30	45	60	90	125	150	188	250	300	375	500	750



	Model	PROLED-1X-CC100
Supply	Rated voltage	12 V DC
	Power per module	0.36 W
	Current per 1 module	30 mA
	Chain power consumption	7.2 W
Diodes	Chain length	20 pcs / 5.1 m
	Color temperature	WW - Warm White (3000K) NW - Neutral White (4000K) W - White (7000K) CW - Cold White (10000K)
	Luminous flux (module)	WW, NW, CW - 58 lm W - 60 lm
	Flux density	WW, NW, CW - 161 lm/W W - 167 lm/W
	Lens	175°
	Lifetime	L70B50 > 50k hrs
Connection	Soldering	Yes
	Screw terminal	Yes
Wires	Wire length	74 mm
	Center - center length	100 mm
	Wires	White - red (+), White (-)
Environment	IP protection	IP67
	Temperature	Working: -25°C ... +60°C
Dimension	Height, width, length	11.38 x 16 x 26.1 mm
Montage	Adhesive tape	Yes
	Mounting screw	Yes
	Hole size	M3
Other	Case material	ABS
	Pcs in bag / box	100 pcs / 2800



## ProLED-2X-CC180

for lightboxes 5 - 15 cm depth  
X - color of light: W, WW, CW or NW

### Features

- IP67 waterproof, injection molded
- Microlens front side design
- Internal 175 deg lens
- 7 years warranty

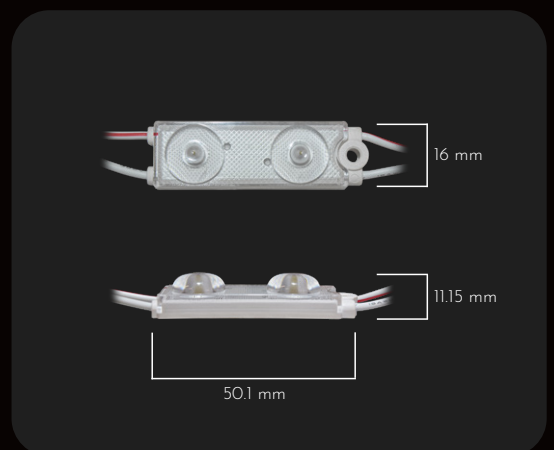
### Application

- Backlight in indoor and outdoor lightboxes
- Lightboxes with 5 - 15 cm depth



Power supply	12 W	18 W	24 W	35 W	50 W	60 W	75 W	100 W	120 W	150 W	200 W	300 W
Number of modules	15	23	30	45	63	75	94	125	150	188	250	375

	Model	PROLED-2X-CC180
Supply	Rated voltage	12 V DC
	Power per module	0.78 W
	Current per 1 module	65 mA
	Chain power consumption	15.6 W
Diodes	Chain length	20 pcs / 5.4 m
	Color temperature	WW - Warm White (3000K) NW - Neutral White (4000K) W - White (7000K) CW - Cold White (10000K)
	Luminous flux (module)	105 lm
	Flux density	135 lm/W
	Lens	175°
	Lifetime	L70B50 > 50k hrs
Connection	Soldering	Yes
	Screw terminal	Yes
Wires	Wire length	130 mm
	Center - center length	180 mm
	Wires	White - red (+), White (-)
Environment	IP protection	IP67
	Temperature	Working: -25°C ... +60°C
Dimension	Height, width, length	11.15 x 16 x 50.1 mm
Montage	Adhesive tape	Yes
	Mounting screw	Yes
	Hole size	M3
Other	Case material	ABS
	Pcs in bag / box	100 / 1600 pcs





# ProLED-3X-CC220

for lightboxes 10 - 20 cm depth  
X - color of light: W, WW, CW or NW

## Features

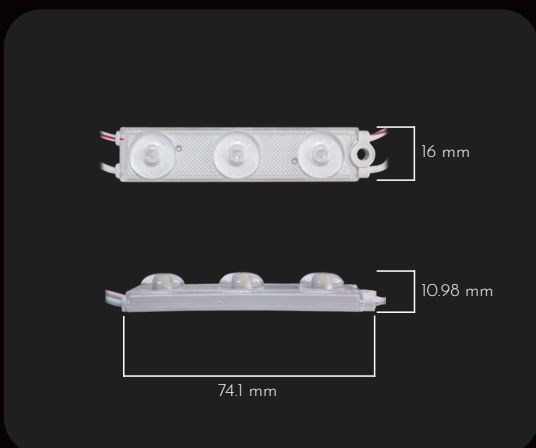
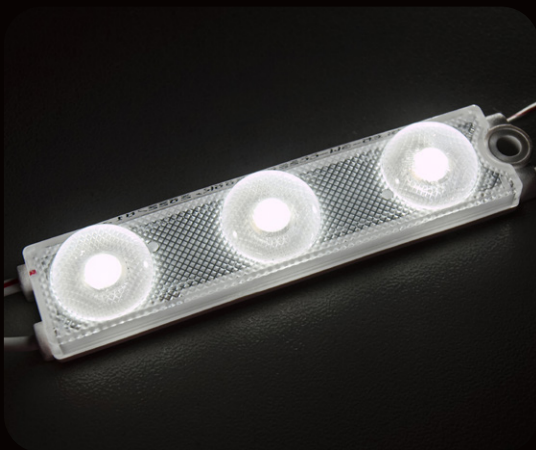
- IP67 waterproof, injection molded
- Microlens front side design
- Internal 175 deg lens
- 7 years warranty

## Application

- Backlight in indoor and outdoor lightboxes
- Lightboxes with 10 - 20 cm depth



Power supply	12 W	18 W	24 W	36 W	50 W	60 W	75 W	100 W	120 W	150 W	200 W	300 W
Number of modules	10	15	20	30	42	50	63	83	100	125	167	250



	Model	PROLED-3X-CC220
Supply	Rated voltage	12 V DC
	Power per module	1.08 W
	Current per 1 module	90 mA
	Chain power consumption	21.6 W
Diodes	Chain length	20 pcs / 4.4 m
	Color temperature	WW - Warm White (3000K) NW - Neutral White (4000K) W - White (7000K) CW - Cold White (10000K)
	Luminous flux (module)	174 lm
	Flux density	161 lm/W
	Lens	175°
Connection	Lifetime	L70B50 > 50k hrs
	Soldering	Yes
Wires	Screw terminal	Yes
	Wire length	150 mm
	Center - center length	220 mm
Environment	Wires	White - red (+), White (-)
	IP protection	IP67
Dimension	Temperature	Working: -25°C ... +60°C
	Height, width, length	10.98 x 16 x 74.1 mm
Montage	Adhesive tape	Yes
	Mounting screw	Yes
	Hole size	M3
Other	Case material	ABS
	Pcs in bag / box	100 / 1200 pcs



# ProLED24-3X-CC220

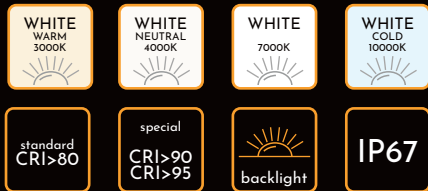
for lightboxes 10 - 20 cm depth  
X - color of light: W, WW, CW or NW

## Features

- IP67 waterproof, injection molded
- Microlens front side design
- Internal 175 deg lens
- 7 years warranty

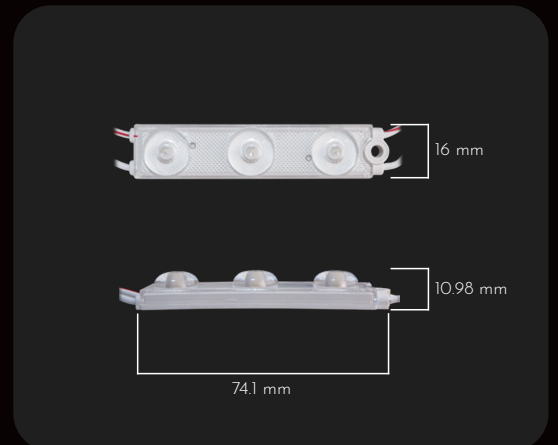
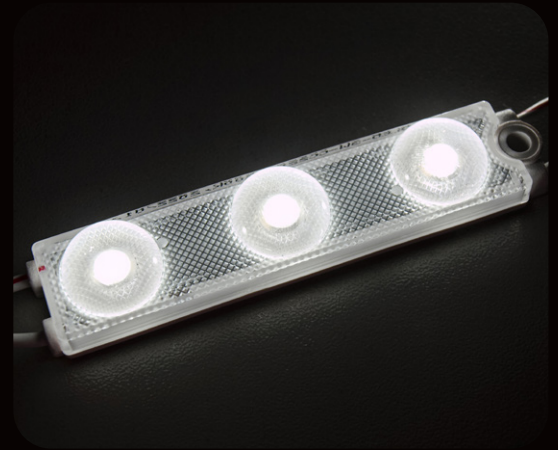
## Application

- Backlight in indoor and outdoor lightboxes
- Lightboxes with 10 - 20 cm depth



Power supply	12 W	18 W	24 W	35 W	50 W	60 W	75 W	100 W	120 W	150 W	200 W	300 W
Number of modules	10	15	20	30	42	50	63	83	100	125	167	250

	Model	PROLED24-3X-CC220
Supply	Rated voltage	24 V DC
	Power per module	1.08 W
	Current per 1 module	45 mA
	Chain power consumption	21.6 W
Diodes	Chain length	20 pcs / 4.4 m
	Color temperature	WW - Warm White (3000K) NW - Neutral White (4000K) W - White (7000K) CW - Cold White (10000K)
	Luminous flux (module)	WW, NW, CW - 174 lm W - 184 lm
	Flux density	WW, NW, CW - 161 lm/W W - 170 lm/W
	Lens	175°
	Lifetime	L70B50 > 50k hrs
Connection	Soldering	Yes
	Screw terminal	Yes
Wires	Wire length	150 mm
	Center - center length	220 mm
	Wires	White - red (+), White (-)
Environment	IP protection	IP67
	Temperature	Working: -25°C ... +60°C
Dimension	Height, width, length	10.98 x 16 x 74.1 mm
Montage	Adhesive tape	Yes
	Mounting screw	Yes
	Hole size	M3
Other	Case material	ABS
	Pcs in bag / box	100 / 1200 pcs





# ProLED-4X-CC260

for lightboxes 15 - 25 cm depth  
X - color of light: W, WW, CW or NW

## Features

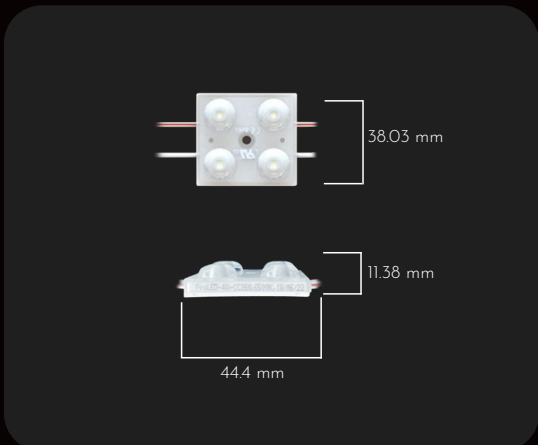
- IP67 waterproof, injection molded
- Microlens front side design
- Internal 175 deg lens
- 7 years warranty

## Application

- Backlight in indoor and outdoor lightboxes
- Lightboxes with 15 - 25 cm depth



Power supply	12 W	18 W	24 W	36 W	50 W	60 W	75 W	100 W	120 W	150 W	200 W	300 W
Number of modules	8	11	15	23	31	38	47	63	75	94	125	188



	Model	PROLED-4X-CC260
Supply	Rated voltage	12 V DC
	Power per module	1.6 W
	Current per 1 module	133 mA
	Chain power consumption	32 W
Diodes	Chain length	20 pcs / 5.2 m
	Color temperature	WW - Warm White (3000K) NW - Neutral White (4000K) W - White (7000K) CW - Cold White (10000K)
	Luminous flux (module)	210 lm
	Flux density	131 lm/W
	Lens	175°
	Lifetime	L70B50 > 50k hrs
	Connection	Soldering
Screw terminal		Yes
Wires	Wire length	216 mm
	Center - center length	260 mm
	Wires	White - red (+), White (-)
Environment	IP protection	IP67
	Temperature	Working: -25°C ... +60°C
Dimension	Height, width, length	11.38 x 38.03 x 44.4 mm
Montage	Adhesive tape	Yes
	Mounting screw	Yes
	Hole size	M3
Other	Case material	ABS
	Pcs in bag / box	100 / 800 pcs



# TEXAS-2W-CC125

for lightboxes 5 - 15 cm depth

## Features

- IP65 waterproof
- Cuttable each one piece
- Injection mold technology
- 4 years warranty

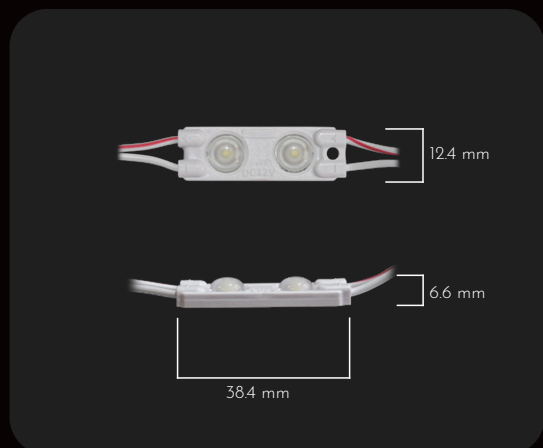
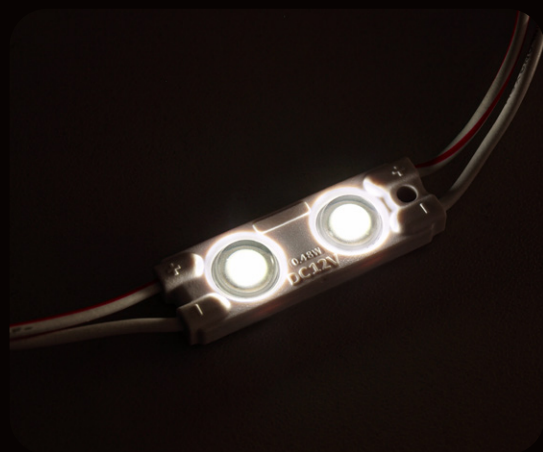
## Application

- 3D channel letters
- Lightboxes with 5 - 15 cm depth
- POS systems



Power supply	12 W	18 W	24 W	36 W	50 W	60 W	75 W	100 W	120 W	150 W	200 W	300 W
Number of modules	23	34	45	68	94	113	141	188	225	281	375	563

	Model	TEXAS-2W-CC125
Supply	Rated voltage	12 V DC
	Power per module	0.48 W
	Current per 1 module	40 mA
	Chain power consumption	9.6 W
Diodes	Chain length	20 pcs / 2.5 m
	Color temperature	White (6500K)
	Luminous flux	42 lm
	Flux density	88 lm/W
	Lens	160°
	Lifetime	L70B50 > 50k hrs
Connection	Soldering	Yes
	Screw terminal	Yes
Wires	Wire length	90 mm
	Center - center length	125 mm
	Wires	White - red (+), White (-)
Environment	IP protection	IP65
	Temperature	Working: -25°C ... +55°C
Dimension	Height, width, length	6.6 x 12.4 x 38.4 mm
Montage	Adhesive tape	Yes
	Mounting screw	Yes
	Hole size	M3
Other	Case material	ABS
	Pcs in bag / box	100 / 3000 pcs







# TEXAS-3X

for lightboxes 5 - 20 cm depth  
X - color of light: R, G, or B

## Features

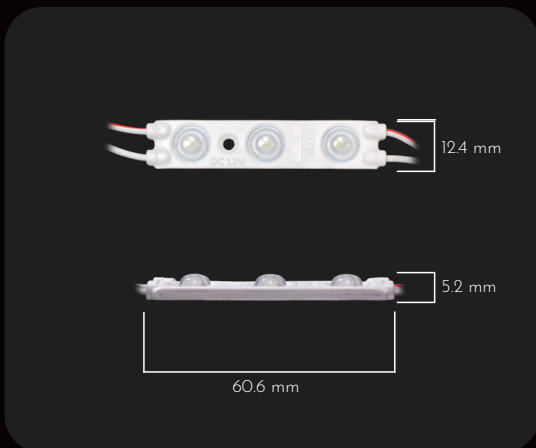
- IP67 waterproof
- Cuttable each one piece
- Injection mold technology
- 4 years warranty

## Application

- 3D channel letters
- Lightboxes with 5 - 20 cm depth
- Backlighting of furniture
- POS systems



Power supply	12 W	18 W	24 W	36 W	50 W	60 W	75 W	100 W	120 W	150 W	200 W	300 W
Number of modules	15	23	30	45	63	75	94	125	150	188	250	375



	Model	TEXAS-3R / -3G / -3B
Supply	Rated voltage	12 V DC
	Power per module	0.72 W
	Current per 1 module	60 mA
	Chain power consumption	14.4 W
Diodes	Chain length	20 pcs / 2.9 m
	Color temperature	R - Red (620 - 625 nm) G - Green (518 - 525 nm) B - Blue (458 - 470 nm)
	Luminous flux	R - Red - 20 lm G - Green - 48 lm B - Blue - 10 lm
	Flux density	95 lm/W
	Lens	160°
	Lifetime	L70B50 > 50k hrs
	Connection	Soldering
Screw terminal		Yes
Wires	Wire length	70 mm
	Center - center length	130 mm
	Wires	White - red (+), White (-)
Environment	IP protection	IP67
	Temperature	Working: -25°C ... +55°C
Dimension	Height, width, length	5.2 x 12.4 x 60.6 mm
Montage	Adhesive tape	Yes
	Mounting screw	Yes
	Hole size	M3
Other	Case material	ABS
	Pcs in bag / box	100 / 2600 pcs



## TEXAS-3X

for lightboxes 5 - 20 cm depth  
X - color of light: W or CW

### Features

- IP67 waterproof, injection molded
- Cuttable each one piece
- 4 years warranty

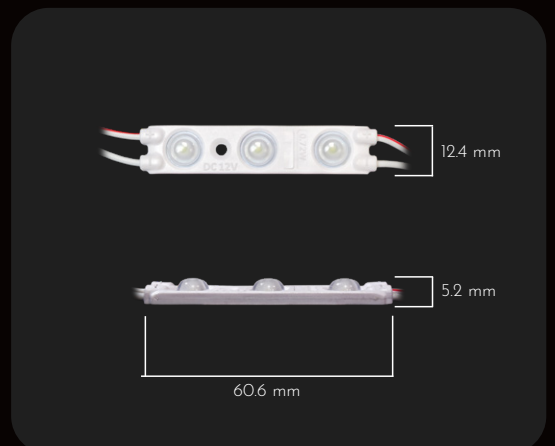
### Application

- 3D chanel letters, signage
- Lightboxes with 5 - 20 cm depth
- Backlighting of furniture
- POS systems



Power supply	12 W	18 W	24 W	36 W	50 W	60 W	75 W	100 W	120 W	150 W	200 W	300 W
Number of modules	15	23	30	45	63	75	94	125	150	188	250	375

Model	TEXAS-3W / -3CW	
Supply	Rated voltage	12 V DC
	Power per module	0.72 W
	Current per 1 module	60 mA
	Chain power consumption	14.4 W
Diodes	Chain length	20 pcs / 2.9 m
	Color temperature	W - White (6500K) CW - Cold White (9500K)
	Luminous flux	W - 66 lm CW - 71 lm
	Flux density	W - 92 lm/W CW - 99 lm/W
	Lens	160°
	Lifetime	L70B40 > 50k hrs
Connection	Soldering	Yes
	Screw terminal	Yes
Wires	Wire length	70 mm
	Center - center length	130 mm
	Wires	White - red (+), White (-)
Environment	IP protection	IP67
	Temperature	Working: -40°C ... +50°C
Dimension	Height, width, length	5.2 x 12.4 x 60.6 mm
Montage	Adhesive tape	Yes
	Mounting screw	Yes
	Hole size	M3
Other	Case material	ABS
	Pcs in bag / box	100 / 2600 pcs





# ALASKA-1W

for double sided lightboxes 12 - 18 cm depth

## Features

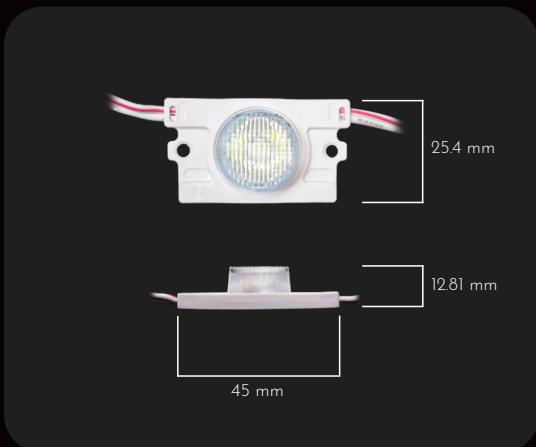
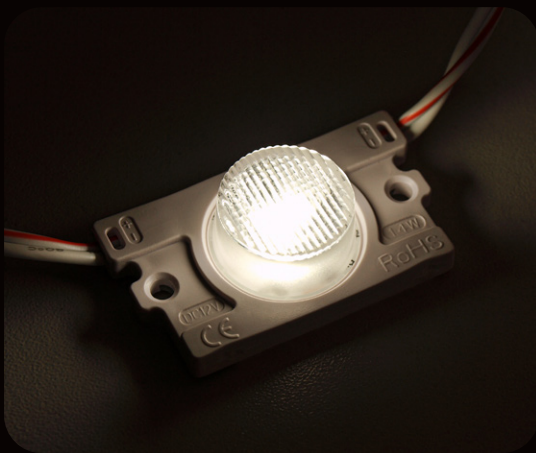
- IP66 waterproof
- Cuttable each one piece
- Injection mold technology
- 4 years warranty

## Application

- 3D channel letters
- Lightboxes with 12 - 18 cm depth
- POS systems



Power supply	12 W	18 W	24 W	36 W	50 W	60 W	75 W	100 W	120 W	150 W	200 W	300 W
Number of modules	9	14	18	27	38	45	56	75	90	113	150	225



	Model	ALASKA-1W
Supply	Rated voltage	12 V DC
	Power per module	1.4 W
	Current per 1 module	116 mA
	Chain power consumption	28W
Diodes	Chain length	20 pcs / 4 m
	Color temperature	White (6500K)
	Luminous flux	130 lm
	Flux density	93 lm/W
	Lens	18 x 50°
Connection	Lifetime	L70B50 > 50k hrs
	Soldering	Yes
	Screw terminal	Yes
Wires	Wire length	135 mm
	Center - center length	180 mm
	Wires	White - red (+), White (-)
Environment	IP protection	IP66
	Temperature	Working: -25°C ... +50°C
Dimension	Height, width, length	12.81 x 25.4 x 45 mm
Montage	Adhesive tape	Yes
	Mounting screw	Yes
	Hole size	M3
Other	Case material	ABS
	Pcs in bag / box	100 / 1200 pcs



## NEBRASKA-1W

for double sided lightboxes 12 - 30 cm depth

### Features

- IP66 waterproof, injection molded
- Cuttable each one piece
- 4 years warranty

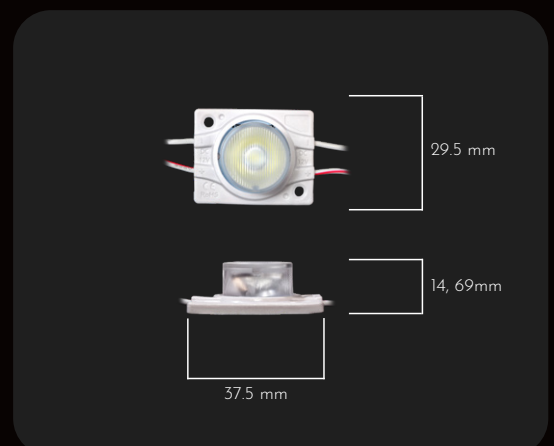
### Application

- 3D chanel letters, signage
- Lightboxes with 12 - 30 cm depth
- POS systems



Power supply	12 W	18 W	24 W	36 W	50 W	60 W	75 W	100 W	120 W	150 W	200 W	300 W
Number of modules	5	7	9	14	19	23	28	38	45	56	75	113

	Model	NEBRASKA-1W
Supply	Rated voltage	12 V DC
	Power per module	2.4 W
	Current per 1 module	200 mA
	Chain power consumption	48 W
Diodes	Chain length	20 pcs / 4 m
	Color temperature	White (7000K)
	Luminous flux	150 lm
	Flux density	63 lm/W
	Lens	18 x 40°
Connection	Lifetime	L70B50 > 50k hrs
	Soldering	Yes
Wires	Screw terminal	Yes
	Wire length	128 mm
	Center - center length	165 mm
Environment	Wires	White - red (+), White (-)
	IP protection	IP66
Dimension	Temperature	Working: -25°C ... +55°C
	Height, width, length	14.69 x 29.5 x 37.5 mm
Montage	Adhesive tape	Yes
	Mounting screw	Yes
	Hole size	M3
Other	Case material	ABS
	Pcs in bag / box	100 / 1200 pcs





# NEVADA-3X

for lightboxes 8 - 20 cm depth  
X - color of light: W or CW

## Features

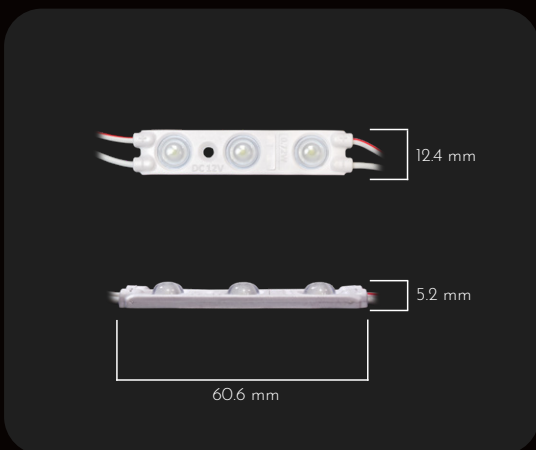
- IP67 waterproof, injection molded
- Cuttable each one piece
- 4 years warranty

## Application

- 3D chanel letters, signage
- Lightboxes with 8 - 20 cm depth
- POS systems



Power supply	12 W	18 W	24 W	36 W	50 W	60 W	75 W	100 W	120 W	150 W	200 W	300 W
Number of modules	9	14	19	28	38	47	58	80	92	115	155	228



	Model	NEVADA-3W / -3CW
Supply	Rated voltage	12 V DC
	Power per module	1.2 W
	Current per 1 module	100 mA
	Chain power consumption	24 W
Diodes	Chain length	20 pcs / 2.9 m
	Color temperature	W - White (6500K) CW - Cold White (9500K)
	Luminous flux	W - 120 lm CW - 115 lm
	Flux density	W - 100 lm/W CW - 96 lm/W
	Lens	160°
	Lifetime	L70B50 > 50k hrs
	Connection	Soldering
Screw terminal		Yes
Wires	Wire length	70 mm
	Center - center length	130 mm
	Wires	White - red (+), White (-)
Environment	IP protection	IP67
	Temperature	Working: -25°C ... +55°C
Dimension	Height, width, length	5.2 x 12.4 x 60.6 mm
Montage	Adhesive tape	Yes
	Mounting screw	Yes
	Hole size	M3
Other	Case material	ABS
	Pcs in bag / box	100 / 2600 pcs



# MW-MLD-MINI-1W-LENS160

for lightboxes 5 - 8 cm depth

## Features

- IP67 waterproof, injection molded
- Internal current stabilization (CC)
- Built-in heat sink plate
- 5 years warranty

## Application

- 3D channel letters



Power supply	12 W	18 W	24 W	36 W	50 W	60 W	75 W	100 W	120 W	150 W	200 W	300 W
Number of modules	36	54	72	108	150	180	225	300	360	450	600	900

	Model	MW-MLD-MINI-1W-LENS160
Supply	Rated voltage	12 V DC +/- 5%
	Power per module	0.36 W
	Current per 1 module	30 mA
	Chain power consumption	18 W
Diodes	Chain length	50 pcs / 2.35 m
	Color temperature	White (6500K)
	Luminous flux	33 lm
	Flux density	92 lm/W
	Lens	160°
Connection	Lifetime	L70B50 > 50k hrs
	Soldering	Yes
	Screw terminal	-
Wires	Wire length	32 mm
	Center - center length	47 mm
	Wires	White - red (+), White (-)
Environment	IP protection	IP67
	Temperature	Working: -25°C ... +55°C
Dimension	Height, width, length	8 x 10.3 x 15.6 mm
	Adhesive tape	Yes
Montage	Mounting screw	-
	Hole size	-
	Case material	ABS
Other	Pcs in bag / box	400 / 5600 pcs





# MW-MLD-5050-3RGBW

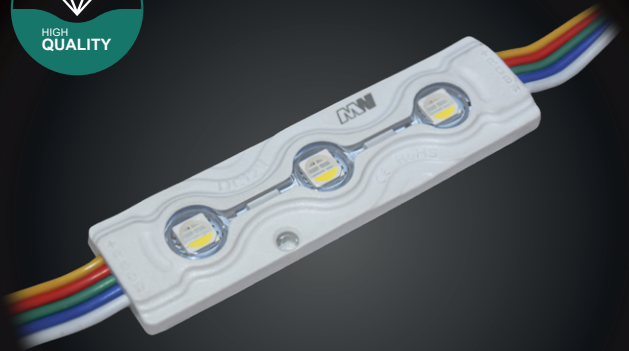
for lightboxes 8 - 25 cm depth

## Features

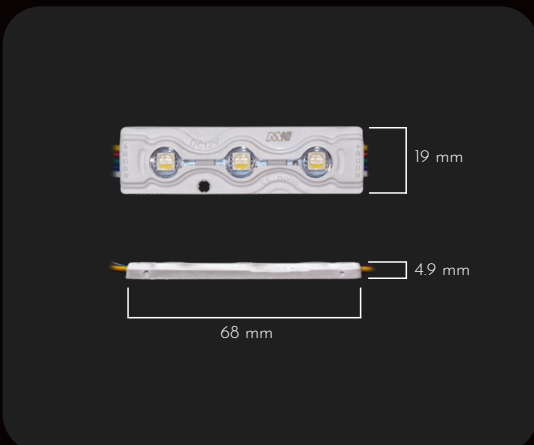
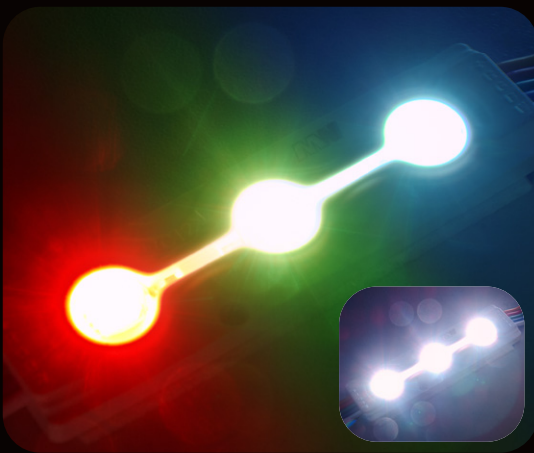
- IP65 waterproof, injection molded
- Internal current stabilization (CC)
- Built-in heat sink plate
- 5 years warranty

## Application

- Letters of light
- Advertising boxes with a depth of 8 - 25 cm
- POS systems
- Backlighting of furniture



Power supply	12 W	18 W	24 W	36 W	50 W	60 W	75 W	100 W	120 W	150 W	200 W	300 W
Number of modules	15	23	30	45	63	75	94	125	150	188	250	375



	Model	MW-MLD-5050-3RGBW
Supply	Rated voltage	12 V DC +/- 5%
	Power per module	0.96 W
	Current per 1 module	80 mA
	Chain power consumption	19.2 W
	Chain length	20 pcs / 5.8 m
Diodes	Color temperature	W - White (6500K) R - Red (620 - 630 nm) G - Green (520 - 530 nm) B - Blue (460 - 470 nm)
	Luminous flux	W - 20 lm R - 4 lm G - 9 lm B - 3.5 lm
	Flux density	21 lm/W
	Lens	120°
	Lifetime	L70B50 > 50k hrs
Connection	Soldering	Yes
	Screw terminal	Yes
Wires	Wire length	107 mm
	Center - center length	175 mm
	Wires	White - red (+), White (-)
Environment	IP protection	IP65
	Temperature	Working: -25°C ... +55°C
Dimension	Height, width, length	4.9 x 19 x 68 mm
Montage	Adhesive tape	Yes
	Mounting screw	Yes
	Hole size	M3
Other	Case material	ABS
	Pcs in bag / box	120 / 1440 pcs



# MW-MLD-CCT-2WW/W-LENS-24V

for lightboxes 5 - 15 cm depth

## Features

- Adjustable color temp
- IP64 waterproof, injection molded
- Internal current stabilization (CC)
- 5 years warranty

## Application

- 3D chanel letters, signage
- Ceiling lighting
- Advertising lightboxes with a dept 5 - 15 cm
- POS systems

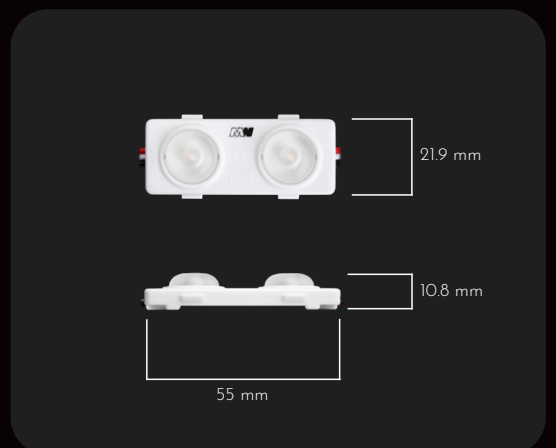
## Compatible LED controllers

- MW-CTR-CCT-6A-02-RX
- ML-FUT036
- ML-FUT036M



Power supply	12 W	18 W	24 W	36 W	50 W	60 W	75 W	100 W	120 W	150 W	200 W	300 W
Number of modules	5	8	11	16	23	27	34	45	54	68	90	135

	Model	MW-MLD-CCT-2WW/W-LENS-24V
Supply	Rated voltage	24 V DC +/- 5%
	Power per module	0.96 W
	Current per 1 module	40 mA
	Chain power consumption	19.2 W
Diodes	Chain length	20 pcs / 5.2 m
	Color temperature	WW - Warm White (2700K) W - White (6500K) multi - white adjustable
	Luminous flux	78 lm max
	Flux density	81 lm/W
	Lens	165°
	Lifetime	L70B50 > 50k hrs
Connection	Soldering	Yes
	Screw terminal	Yes
Wires	Wire length	105 mm
	Center - center length	160 mm
	Wires	Red (common +) White (white -) Black (warm white -)
Environment	IP protection	IP64
	Temperature	Working: -25°C ... +50°C
Dimension	Height, width, length	10.8 x 21.9 x 55 mm
Montage	Adhesive tape	Yes
	Mounting screw	-
	Hole size	-
Other	Case material	ABS
	Pcs in bag / box	120 / 960 pcs







# MINIOVAL-1W

for lightboxes 2.5 - 8 cm depth



## Features

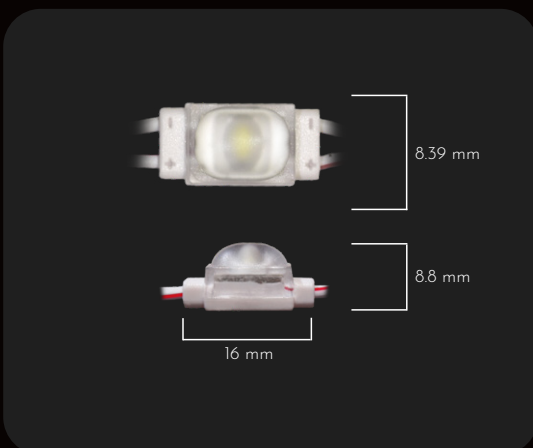
- IP67 waterproof, injection molded
- Internal current stabilization (CC)
- Small Dimension
- 5 years warranty

## Application

- For small and slim 3D signage letters
- Backlighting 2.5 - 8 cm



Power supply	12 W	18 W	24 W	36 W	50 W	60 W	75 W	100 W	120 W	150 W	200 W	300 W
Number of modules	30	45	60	90	125	150	188	250	300	375	500	750



	Model	MINIOVAL-1W
Supply	Rated voltage	12 V DC +/- 5%
	Power per module	0.36 W
	Current per 1 module	30 mA
	Chain power consumption	36 W
Diodes	Chain length	100 pcs / 4 m
	Color temperature	White (6500K)
	Luminous flux	41 lm
	Flux density	114 lm/W
	Lens	170 x 130°
	Lifetime	L70B50 > 50k hrs
Connection	Soldering	Yes
	Screw terminal	Yes
Wires	Wire length	34 mm
	Center - center length	50 mm
	Wires	White - red (+), White (-)
Environment	IP protection	IP67
	Temperature	Working: -25°C ... +55°C
Dimension	Height, width, length	8.8 x 8.39 x 16 mm
Montage	Adhesive tape	Yes
	Mounting screw	-
	Hole size	-
Other	Case material	ABS
	Pcs in bag / box	100 / 6000 pcs



## BoxSide-OVAL-S-W

for one-side and two-side lightboxes min. 6 cm

### Features

- IP67 waterproof, injection molded
- Constant current drive (CC)
- Innovative optic design 11 x 40 deg with arc lens
- Dark corners reducing
- 7 years warranty

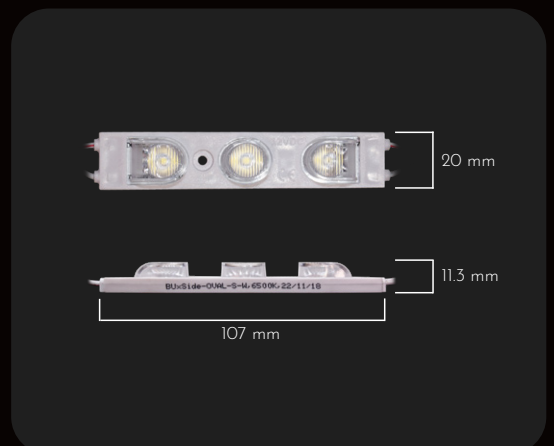
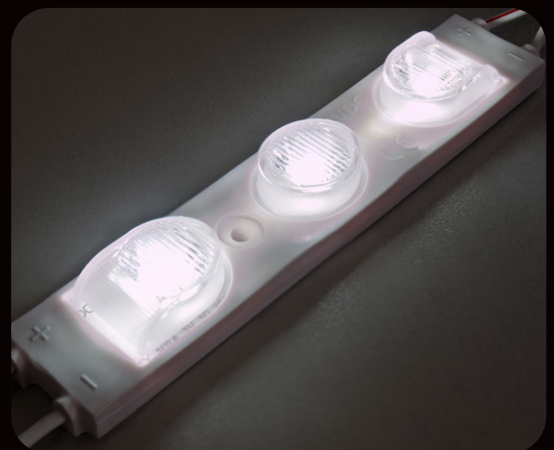
### Application

- General signage
- One-side and two-side lightboxes min. 6 cm



Power supply	12 W	18 W	24 W	36 W	50 W	60 W	75 W	100 W	120 W	150 W	200 W	300 W
Number of modules	8	12	16	25	34	41	51	68	82	102	136	205

	Model	BoxSide-OVAL-S-X
Supply	Rated voltage	12 V DC +/- 5%
	Power per module	1.3 W
	Current per 1 module	108 mA
	Chain power consumption	52 W
Diodes	Chain length	40 pcs / 7.2 m
	Color temperature	White (6500K)
	Luminous flux	106 lm
	Flux density	82 lm/W
	Lens	11 x 40°
Connection	Lifetime	L70B50 > 70k hrs
	Soldering	Yes
Wires	Screw terminal	Yes
	Wire length	73 mm
	Center - center length	180 mm
Environment	Wires	White - red (+), White (-)
	IP protection	IP67
Dimension	Temperature	Working: -25°C ... +55°C
	Height, width, length	11.3 x 20 x 107 mm
Montage	Adhesive tape	Yes
	Mounting screw	Yes
	Hole size	M3
Other	Case material	ABS
	Pcs in box	560 pcs





# BoxSide-OVAL-M-W

for one-side and two-side lighboxes 2 - 4 m

## Features

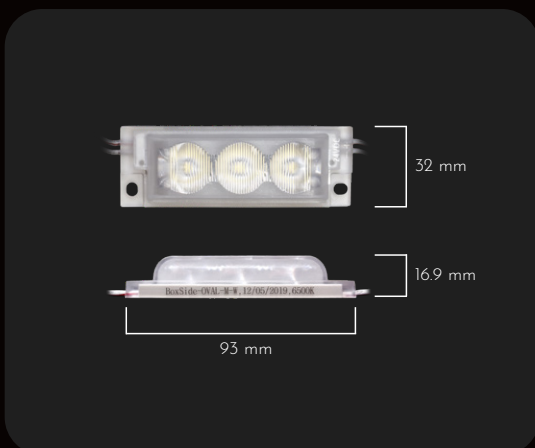
- IP68 waterproof, injection molded
- Constant current drive (CC)
- Innovative optic design 11 x 40 deg with arc lens
- Dark corners reducing
- 7 years warranty

## Application

- General signage
- One-side and two-side lighboxes with length 2 - 4 m



Power supply	12 W	18 W	24 W	36 W	50 W	60 W	75 W	100 W	120 W	150 W	200 W	300 W
Number of modules	4	5	7	11	15	18	23	30	36	45	60	90



	Model	BoxSide-OVAL-M-W
Supply	Rated voltage	24 V DC +/- 5%
	Power per module	3.4 W
	Current per 1 module	142 mA
	Chain power consumption	136 W
Diodes	Chain length	40 pcs / 12 m
	Color temperature	White (6500K)
	Luminous flux	250 lm
	Flux density	74 lm/W
	Lens	11 x 40°
Connection	Lifetime	L70B50 > 70k hrs
	Soldering	Yes
	Screw terminal	Yes
Wires	Wire length	207 mm
	Center - center length	300 mm
	Wires	White - red (+), White (-)
Environment	IP protection	IP68
	Temperature	Working: -25°C ... +55°C
Dimension	Height, width, length	16.9 x 32 x 93 mm
Montage	Adhesive tape	Yes
	Mounting screw	Yes
	Hole size	M3
Other	Case material	ABS
	Pcs in box	320 pcs



## BoxSide-OVAL-L-W

for one-side and two-side lighboxes min. 1.5 - 4 m

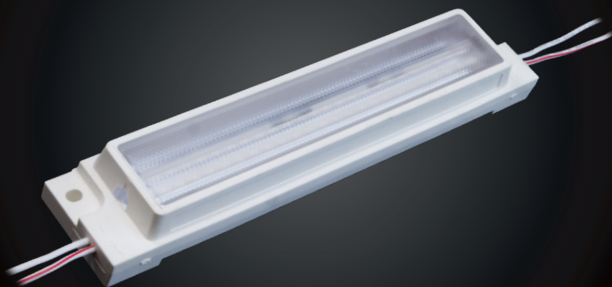


### Features

- IP67 waterproof, injection molded
- Constant current drive (CC)
- Innovative optic design 11 x 77 deg lens
- Highest lighting flux
- 7 years warranty

### Application

- General signage
- One-side and two-side lighboxes min 1.5 - 4 m



Power supply	12 W	18 W	24 W	36 W	50 W	60 W	75 W	100 W	120 W	150 W	200 W	300 W
Number of modules	2	2	3	5	6	8	9	13	15	19	25	38

	Model	BoxSide-OVAL-L-W
Supply	Rated voltage	24 V DC +/- 5%
	Power per module	7.4 W
	Current per 1 module	308 mA
	Chain power consumption	118.4 W
Diodes	Chain length	16 pcs / 5.6 m
	Color temperature	White (6500K)
	Luminous flux	550 lm
	Flux density	74 lm/W
	Lens	11 x 75°
Connection	Lifetime	L70B50 > 70k hrs
	Soldering	Yes
	Screw terminal	Yes
Wires	Wire length	175 mm
	Center - center length	350 mm
	Wires	White - red (+), White (-)
Environment	IP protection	IP67
	Temperature	Working: -25°C ... +55°C
Dimension	Height, width, length	21.4 x 36 x 175 mm
Montage	Adhesive tape	Yes
	Mounting screw	Yes
	Hole size	M3
Other	Case material	ABS
	Pcs in box	112 pcs





# MW-MLD-FLAT-1X-LENS170

for lightboxes. 3 - 10 cm depth

X - color of light: W or NW

## Features

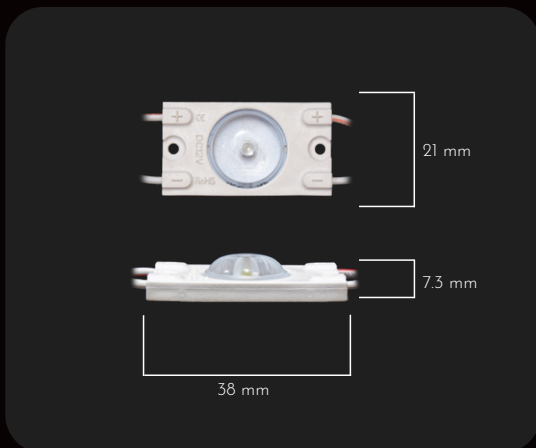
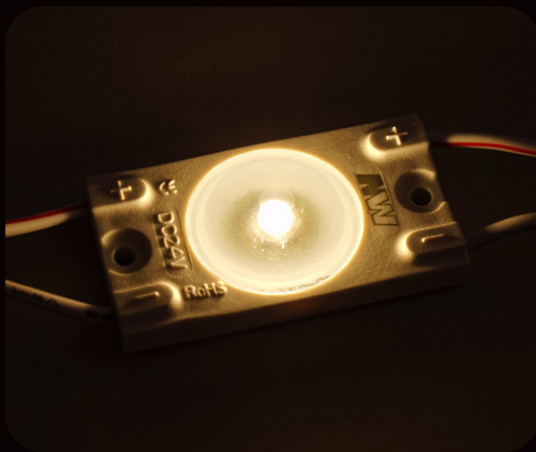
- IP67 waterproof, injection molded
- Internal current stabilization (CC)
- Built-in heat sink plate
- 5 years warranty

## Application

- Letters of light
- Advertising lightboxes 3 - 10 cm depth
- POS systems



Power supply	12 W	18 W	24 W	36 W	50 W	60 W	75 W	100 W	120 W	150 W	200 W	300 W
Number of modules	11	17	23	34	47	56	70	94	113	141	188	281



	Model	MW-MLD-2835-1X-LENS170
Supply	Rated voltage	12 V DC +/- 5%
	Power per module	0.98 W
	Current per 1 module	82 mA
	Chain power consumption	29.4 W
Diodes	Chain length	30 pcs / 5.2 m
	Color temperature	NW - Neutral White (4000K) W - White (6500K)
	Luminous flux	80 lm
	Flux density	82 lm/W
	Lens	170°
	Lifetime	L70B40 > 50k hrs
Connection	Soldering	Yes
	Screw terminal	Yes
Wires	Wire length	112 mm
	Center - center length	150 mm
	Wires	White - red (+), White (-)
Environment	IP protection	IP67
	Temperature	Working: -25°C ... +55°C
Dimension	Height, width, length	7.3 x 21 x 38 mm
Montage	Adhesive tape	Yes
	Mounting screw	-
	Hole size	-
Other	Case material	ABS
	Pcs in bag / box	120 / 1920 pcs



## FEATURES

- Dot-free, uniform lighting
- High efficacy up to 108 lm/W
- **Very high LEDs density - up to 480 LED/m**
- 180° light-emitting
- Easy installation and maintenance
- 3 year warranty
- IP62, IP65, IP68 possible

CRI > 90

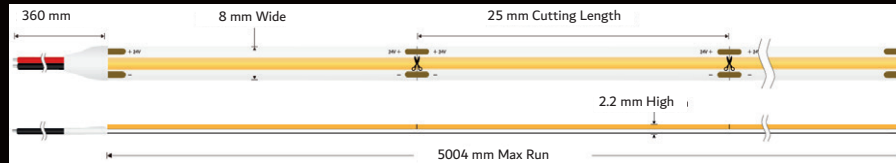
180°

3  
years  
warranty

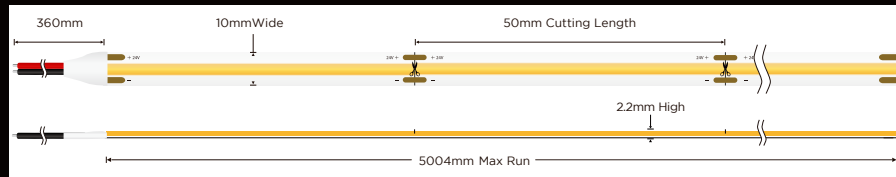


Modeli	Voltage	LED type	Power	Current	Colour temp.	Luminous flux	Width	IP
UQS-COB-8W-W	12 / 24V	320 x COB	8 W	0.33 - 0.66 A / m	~6500K	820 - 880 lm / m	8 mm	20 - 68
UQS-COB-8W-NW					~4000K	780 - 800 lm / m		
UQS-COB-8W-WW					~3000K	700 - 740 lm / m		
UQS-COB-12W-W	480 x COB	12 W	0.5 A / m	~6500K	1160 lm / m	10 mm		
UQS-COB-12W-NW				~4000K	1180 lm / m			
UQS-COB-12W-WW				~3000K	1060 lm / m			

UQS-COB-8W-X-12V



UQS-COB-12W-X-24V



UQS-COB-XW-SS



UQS-COB-XW-CS



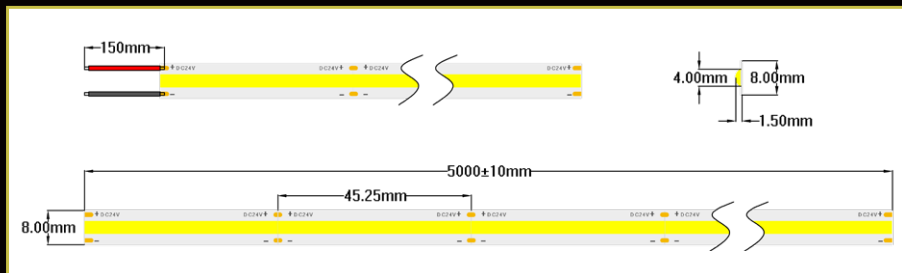
## FEATURES

- Uniform lighting
- Uniform light line and high luminous intensity
- Elastic strip
- Easy installation and maintenance
- 3 years warranty
- Used for indoor lighting



Model	Voltage	LED type	Power	Current	Colour temp.	Luminous flux	Width	IP
HQS-COB-10W-W	24 V	512 x COB	10 W	0.42 A / m	~6500K	1020 lm / m	8 mm	33
HQS-COB-10W-NW					~4000K	1000 lm / m		
HQS-COB-10W-WW					~3000K	980 lm / m		
HQS-COB-15W-RGB		840 x COB	15 W	0.62 A / m	460 - 630 nm	85 - 335 lm / m	10 mm	20

HQS-COB-10W-X





## FEATURES

- Double copper layer
- Can be cut every segment 5 cm (6 W / 12 V), 10 cm (6 W / 24 V)
- Each segment with couple pads for secondary operation
- 3 years warranty
- The 3M adhesive 200MP provides exceptional temperature and chemical resistance

CRI>80

120°

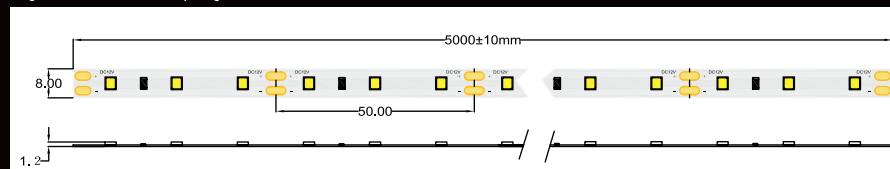
3  
years  
warranty



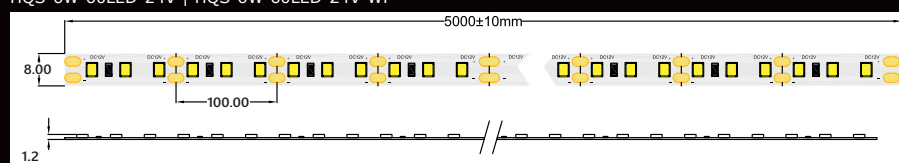
**CE RoHS**

Model		Voltage	LED type	Power	Current	Colour temp.	Luminous flux	Width	IP	
HQS-6W-60LED-CW	HQS-6W-60LED-CW-WP	12 / 24 V	60 x 2835	6 W	0.25 - 0.5 A / m	~14000K	600 - 660 lm / m	8 mm	33	64
HQS-6W-60LED-W	HQS-6W-60LED-W-WP					~6500K				
HQS-6W-60LED-NW	HQS-6W-60LED-NW-WP					~4000K				
HQS-6W-60LED-WW	HQS-6W-60LED-WW-WP					~3000K				

HQS-6W-60LED-12V | HQS-6W-60LED-12V-WP



HQS-6W-60LED-24V | HQS-6W-60LED-24V-WP







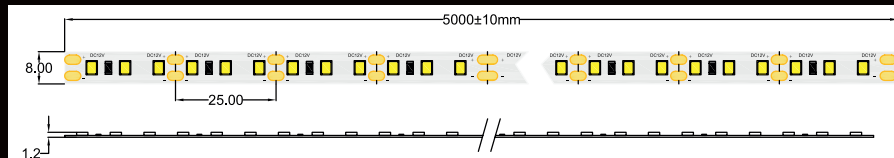
## FEATURES

- Double copper layer
- Can be cut every segment 5 cm (9.6 W / 12 V), 10 cm (9.6 W / 24 V)
- Each segment with couple pads for secondary operation
- 3 years warranty
- The 3M adhesive 200MP provides exceptional temperature and chemical resistance

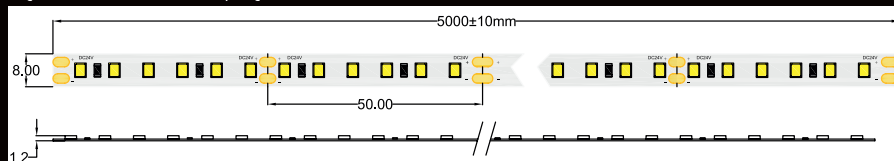


Model		Voltage	LED type	Power	Current	Colour temp.	Luminous flux	Width	IP	
HQS-9.6W-120LED-CW	HQS-9.6W-120LED-CW-WP	12 / 24 V	120 x 2835	9.6 W	0.4- 0.8 A / m	~14000K	980 - 1100 lm / m	8 mm	33	64
HQS-9.6W-120LED-W	HQS-9.6W-120LED-W-WP					~6500K				
HQS-9.6W-120LED-NW	HQS-9.6W-120LED-NW-WP					~4000K				
HQS-9.6W-120LED-WW	HQS-9.6W-120LED-WW-WP					~3000K				

HQS-9.6W-120LED-X-12V | HQS-9.6W-120LED-X-WP-12V

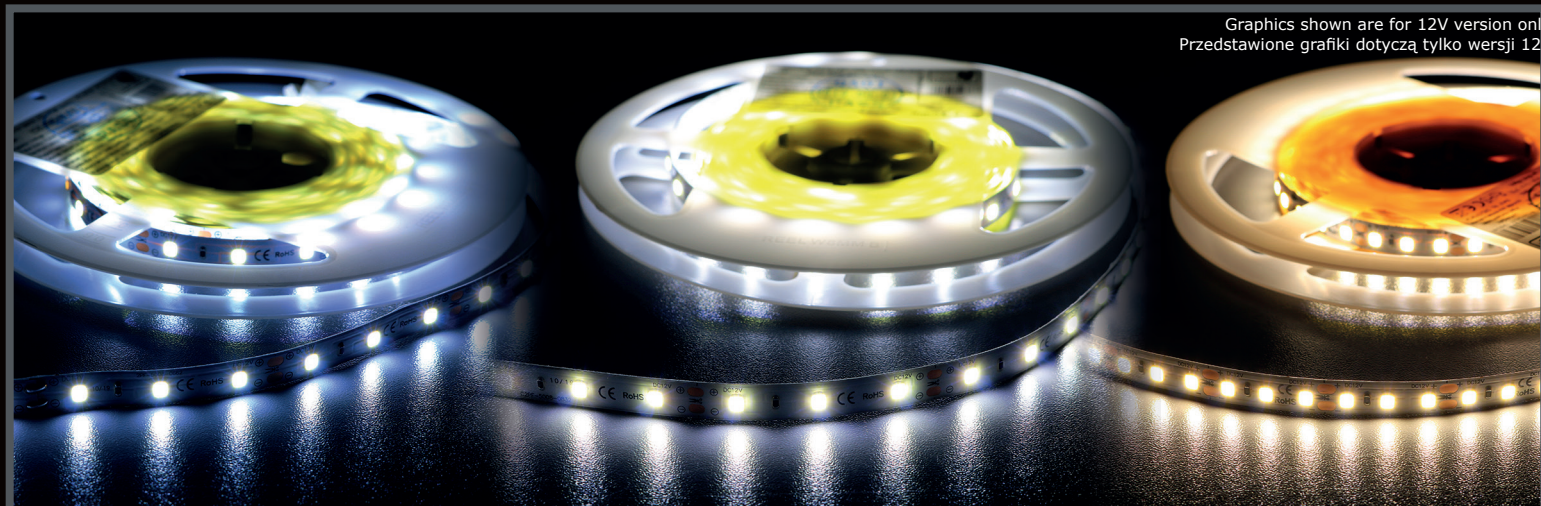


HQS-9.6W-120LED-X-24V | HQS-9.6W-120LED-X-WP-24V





Graphics shown are for 12V version only.  
Przedstawione grafiki dotyczą tylko wersji 12V.



## FEATURES

- Double copper layer
- Can be cut every segment 5 cm (12 W / 12 V),  
10 cm (12 W / 24 V)
- Each segment with couple pads for secondary operation
- 3 years warranty
- The 3M adhesive 200MP provides exceptional temperature  
and chemical resistance

CRI>80



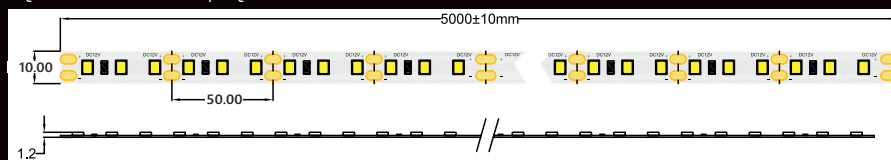
3  
years  
warranty



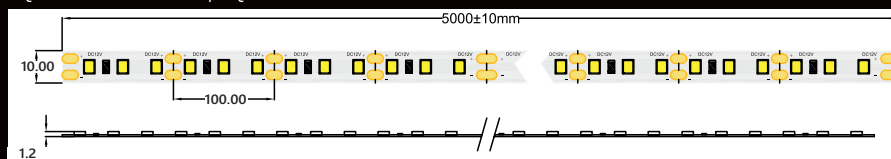
CE RoHS

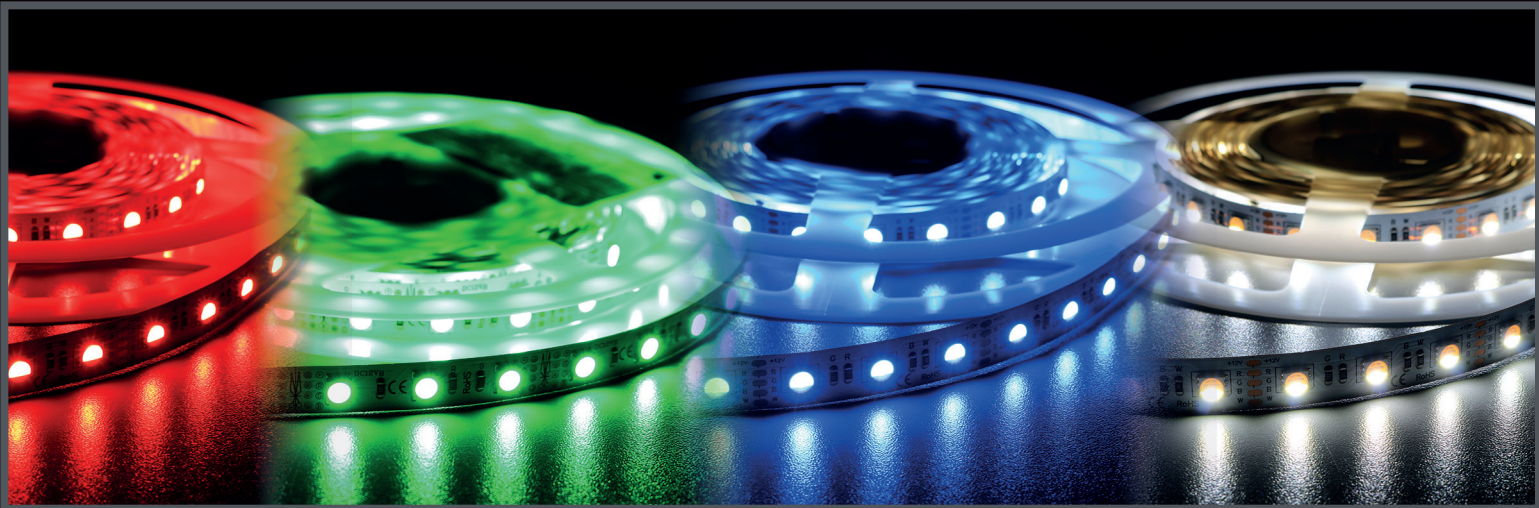
Model		Voltage	LED type	Power	Current	Colour temp.	Luminous flux	Width	IP	
HQS-12W-60LED-CW	HQS-12W-60LED-CW-WP	12 / 24 V	60 x 2835	12 W	0.5 - 1 A / m	~9000K	1080 - 1260 lm / m	10 mm	33	64
HQS-12W-60LED-W	HQS-12W-60LED-W-WP					~6500K				
HQS-12W-60LED-NW	HQS-12W-60LED-NW-WP					~4000K				
HQS-12W-60LED-WW	HQS-12W-60LED-WW-WP					~3000K				

HQS-12W-60LED-X-12V | HQS-12W-60LED-X-WP-12V



HQS-12W-60LED-X-24V | HQS-12W-60LED-X-WP-24V





## FEATURES

- 2oz thickness FPC (Flexible Printed Circuit)
- Can be cut every 5 cm segment (3 LEDs in segment)
- Each segment with couple pads for secondary operation
- Enhanced 5050 LEDs
- Easy installation with 3M adhesive tape

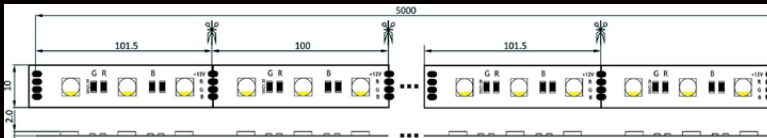


Model	Voltage	LED type	Power	Current	Colour temp.	Luminous flux	Width	IP
HQS-7.2W-30LED-RGB	12 / 24 V	30 x 5050	7.2 W	0.3 - 0.6 A / m	460 - 630 nm	5 - 268 lm / m	10 mm	33
HQS-7.2W-30LED-RGB-WP					460 - 630 nm / 6500K	4.17 - 20.84 / 23.61 - 29.17 lm / m	12 mm	65
HQS-7.2W-30LED-RGBW*					460 - 630 nm / 6500K	4.17 - 20.84 / 23.61 - 29.17 lm / m	12 mm	33
HQS-14.4W-60LED-RGB		60 x 5050	14.4 W	0.6 - 1.2 A / m	460 - 630 nm	3.96 - 480 lm / m	10 mm	-
HQS-14.4W-60LED-RGB-WP					460 - 630 nm / 6500K	3.65 - 13 / 14.58 - 15.94 lm / m	12 mm	65
HQS-19.2W-60LED-RGBW*					460 - 630 nm / 6500K	3.65 - 13 / 14.58 - 15.94 lm / m	12 mm	33
HQS-19.2W-60LED-RGBW-WP*	24 V	14.4 W	1.2 A / m	460 - 630 nm / 4000K	3.1 - 15.6 / 48 - 59 lm / m	12 mm	33	
HQS-14.4W-60LED-RGBNW*				460 - 630 nm / 3000K				
HQS-14.4W-60LED-RGBWW*								

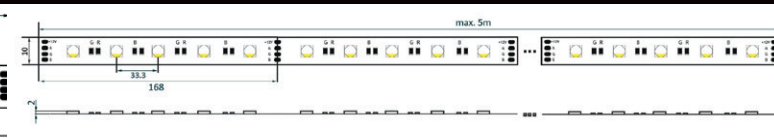
\* 30 LED RGB + 30 LED White

\*\* For LED White

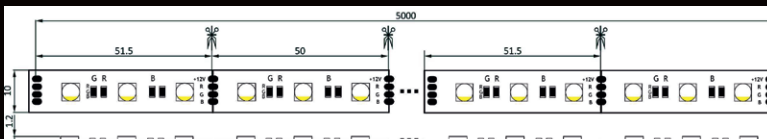
HQS-7.2W-30LED-RGB-12V



HQS-7.2W-30LED-RGB-24V



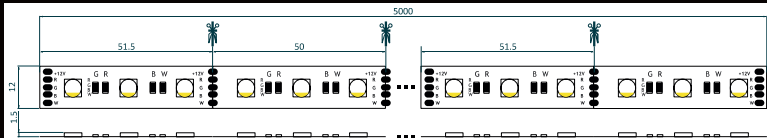
HQS-14.4W-60LED-RGB-12V



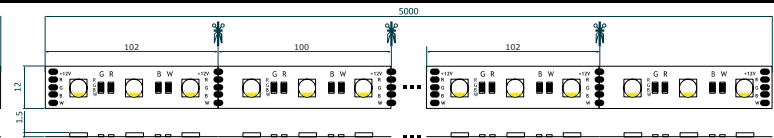
HQS-14.4W-60LED-RGB-24V



HQS-19.2W-60LED-RGBW-12V



HQS-19.2W-60LED-RGBW-24V





## FEATURES

- Can be cut every segment 2.5 cm (19.2 W / 12 V), 5 cm (19.2 W / 24 V, 9.6 W / 12 V), 10 cm (9.6 W / 24 V)
- Enhanced 3527 LEDs
- Easy installation with 3M adhesive tape
- Possibility of colour adjustment from WW (2700K) to W (6500K)
- 3 years warranty

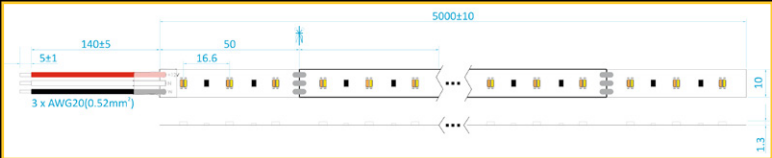
CRI > 70

120°

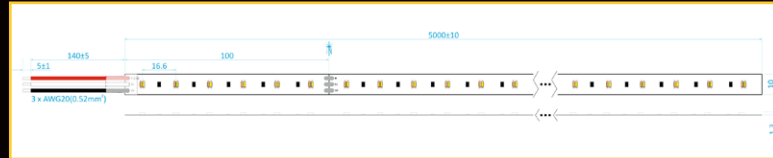
3 years warranty

Model	Voltage	LED type	Power	Current	Colour temp.	Luminous flux	Width	IP
HQS-9.6W-60LED-WWCW	12 / 24 V	60 x 3527	9.6 W	0.8 A / m	-2700K - 6500K	920 - 995 lm / m	10 mm	33
HQS-19.2W-120LED-WWCW		120 x 3527	19.2 W	1.6 A / m		1730 - 1920 lm / m		

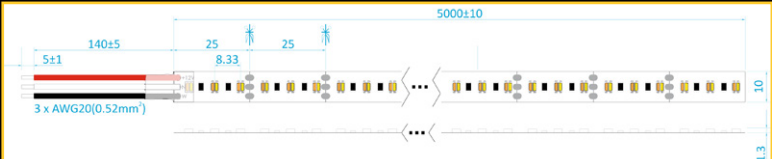
HQS-9.6W-60LED-WWCW-12V



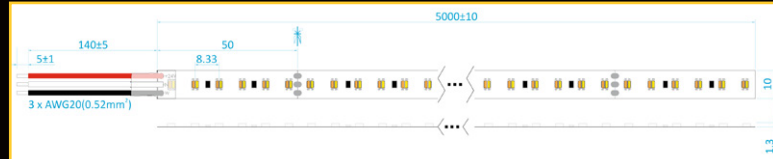
HQS-9.6W-60LED-WWCW-24V



HQS-19.2W-120LED-WWCW-12V



HQS-19.2W-120LED-WWCW-24V





### FEATURES

- Luminous efficiency up to 160 lm / W
- Good colour uniformity (Spectroscopic standard ERP, one BIN only)
- Silver-tin pads allow easy soldering and prevent from oxidation
- 3oz pure copper PCB
- 5 years warranty
- Easy installation with sellotape 3M

CRI>90

120°

5 years warranty



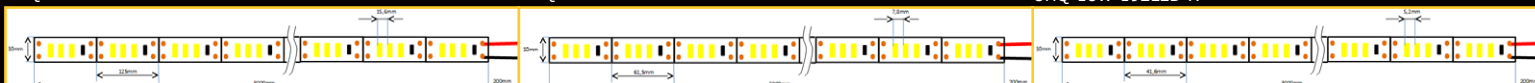
RoHS

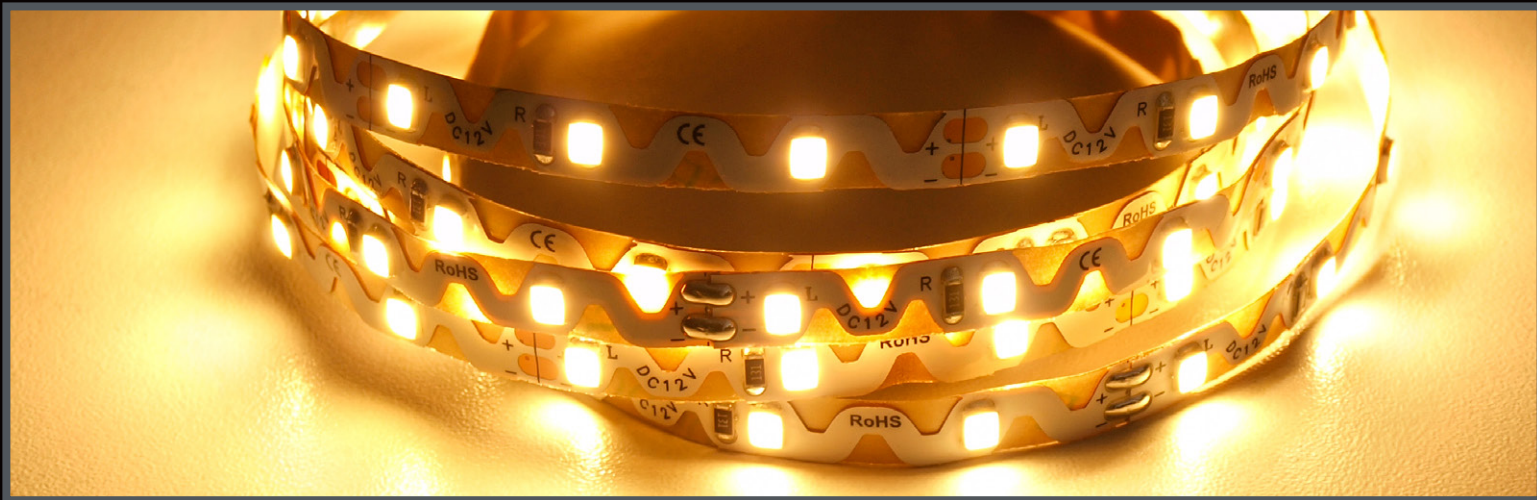
Model	Voltage	LED type	Power	Current	Colour temp.	Luminous flux	Width	IP				
UHQO-6W-64LED-W	24 V	64 x 2835	6 W	0.25 A/m	~6500K	837 lm/m	10 mm	20				
UHQO-6W-64LED-NW					~5000K							
UHQO-6W-64LED-NW					~4000K							
UHQO-6W-64LED-WW					~3000K							
UHQO-6W-64LED-WW					~2700K							
UHQO-6W-64LED-WW					~2400K							
UHQO-6W-64LED-WW					~2200K							
UHQO-6W-64LED-WW					~1800K							
UHQO-6W-64LED-WW					~1800K							
UHQO-12W-128LED-W					128 x 2835				12 W	0.5 A/m	~6500K	1674 lm/m
UHQO-12W-128LED-NW											~5000K	
UHQO-12W-128LED-NW											~4000K	
UHQO-12W-128LED-WW		~3000K										
UHQO-12W-128LED-WW		~2700K										
UHQO-12W-128LED-WW		~2400K										
UHQO-12W-128LED-WW		~2200K										
UHQO-12W-128LED-WW		~1800K										
UHQO-12W-128LED-WW		~1800K										
UHQO-18W-192LED-W		192 x 2835	18 W	0.75 A/m		~6500K					2516 lm/m	
UHQO-18W-192LED-NW						~5000K						
UHQO-18W-192LED-NW						~4000K						
UHQO-18W-192LED-WW					~3000K							
UHQO-18W-192LED-WW					~2700K							
UHQO-18W-192LED-WW					~2400K							
UHQO-18W-192LED-WW	~2200K											
UHQO-18W-192LED-WW	~1800K											
UHQO-18W-192LED-WW	~1800K											

UHQO-6W-64LED-X

UHQO-12W-128LED-X

UHQO-18W-192LED-X





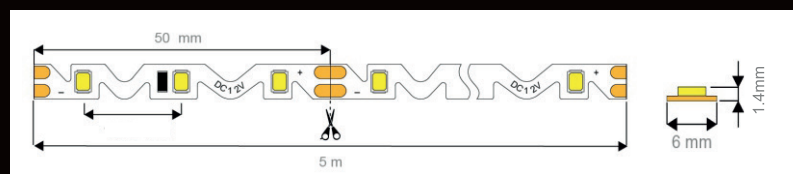
## FEATURES

- S shape flex strip
- Thin silicone coating IP54
- Suitable for channel letters and other indoor application
- Very high color rendering index > 95
- 3 years warranty



**CE RoHS**

Model Model	Voltage Napięcie	LED type Typ LED	Power Moc	Current Prąd	Colour temp. Temp. barwowa	Luminous flux Strumień świetlny	Width Szerokość	IP
UHF-6W-60LED-WW-3KK	12 V	60 x 2835	6 W	0.5 A/m	~3300K	439 lm/m	6 mm	54
UHF-6W-60LED-NW-4KK					~4000K	513 lm/m		
UHF-6W-60LED-W-6KK					~6000K	591 lm/m		





## FEATURES

- High-strength 2014 SMD LED, highly reliable
- ERP system, good colour uniformity
- **Extremely high LEDs density - up to 308 LED / m**
- Anti-oxidation by silver for bonding pad
- Simple and elegant
- Guaranteeing high quality
- 5 years warranty

CRI > 90

120°

5  
years  
warranty



RoHS

Model	Voltage	LED type	Power	Current	Colour temp.	Luminous flux	Width	IP
UHQH-16W-210LED-W	24 V	210 x 2014	15.8 W	0.65 A / m	~6500K	1400 lm / m	10 mm	20
UHQH-16W-210LED-NW					~5000K	1440 lm / m		
UHQH-16W-210LED-NW					~4000K			
UHQH-16W-210LED-WW					~3000K	1325 lm / m		
UHQH-16W-210LED-WW					~2700K	1295 lm / m		
UHQH-16W-210LED-WW					~2400K	1265 lm / m		
UHQH-16W-210LED-WW					~2200K	1180 lm / m		
UHQH-16W-210LED-WW					~1800K	910 lm / m		
UHQH-21W-280LED-W					280 x 2014	21 W		
UHQH-21W-280LED-NW		~5000K	1890 lm / m					
UHQH-21W-280LED-NW		~4000K						
UHQH-21W-280LED-WW		~3000K	1740 lm / m					
UHQH-21W-280LED-WW		~2700K	1700 lm / m					
UHQH-21W-280LED-WW		~2400K	1660 lm / m					
UHQH-21W-280LED-WW		~2200K	1550 lm / m					
UHQH-21W-280LED-WW		~1800K	1190 lm / m					
UHQH-23W-308LED-W		308 x 2014	23.2 W	0.96 A / m				
UHQH-23W-308LED-NW					~5000K	2070 lm / m		
UHQH-23W-308LED-NW					~4000K			
UHQH-23W-308LED-WW					~3000K	1900 lm / m		
UHQH-23W-308LED-WW					~2700K	1860 lm / m		
UHQH-23W-308LED-WW	~2400K				1820 lm / m			
UHQH-23W-308LED-WW	~2200K				1700 lm / m			
UHQH-23W-308LED-WW	~1800K				1300 lm / m			

UHQH-16W-210LED-X

UHQH-21W-280LED-X

UHQH-23W-308LED-X





## FEATURES

- Luminous efficiency up to 83 lm / W
- ERP system, good colour uniformity
- Anti-oxidation by silver for bonding pad
- 3oz pure copper PCB
- Easy installation with 3M adhesive tape
- 5 years warranty

CRI>90

120°

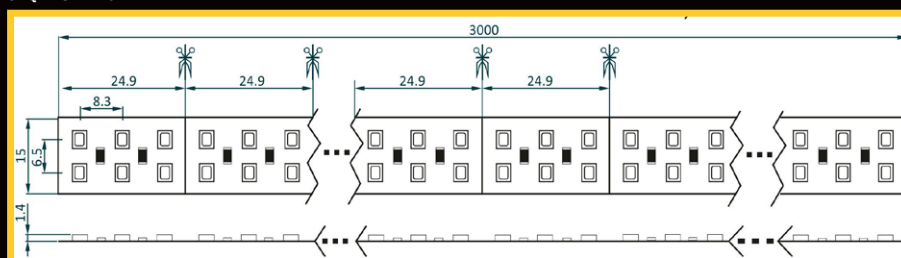
5  
years  
warranty



RoHS

Model	Voltage	LED type	Power	Current	Colour temp.	Luminous flux	Width	IP
UHQD-28W-240LED-W	24 V	240 x 2835	28 W	1.16 A / m	~6500K	2580 lm / m	15 mm	20
UHQD-28W-240LED-NW					~5000K			
UHQD-28W-240LED-NW					~4000K			
UHQD-28W-240LED-WW					~3000K			
UHQD-28W-240LED-WW					~2700K			
UHQD-28W-240LED-WW					~2400K			
UHQD-28W-240LED-WW					~2200K			
UHQD-28W-240LED-WW					~2000K			
UHQD-28W-240LED-WW					~1800K			

UHQD-28W-240LED-X







## FEATURES

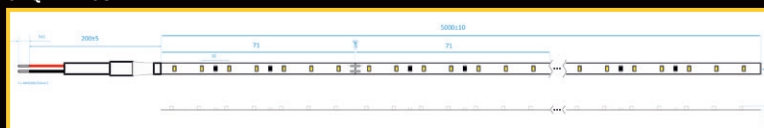
- Luminous efficiency up to 90 lm / W
- ERP system, good colour uniformity
- **Extremely narrow PCB - only 4 mm width**
- Anti-oxidation by silver for bonding pad
- Easy installation with 3M adhesive tape
- 5 years warranty



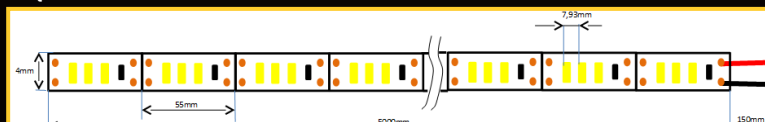
RoHS

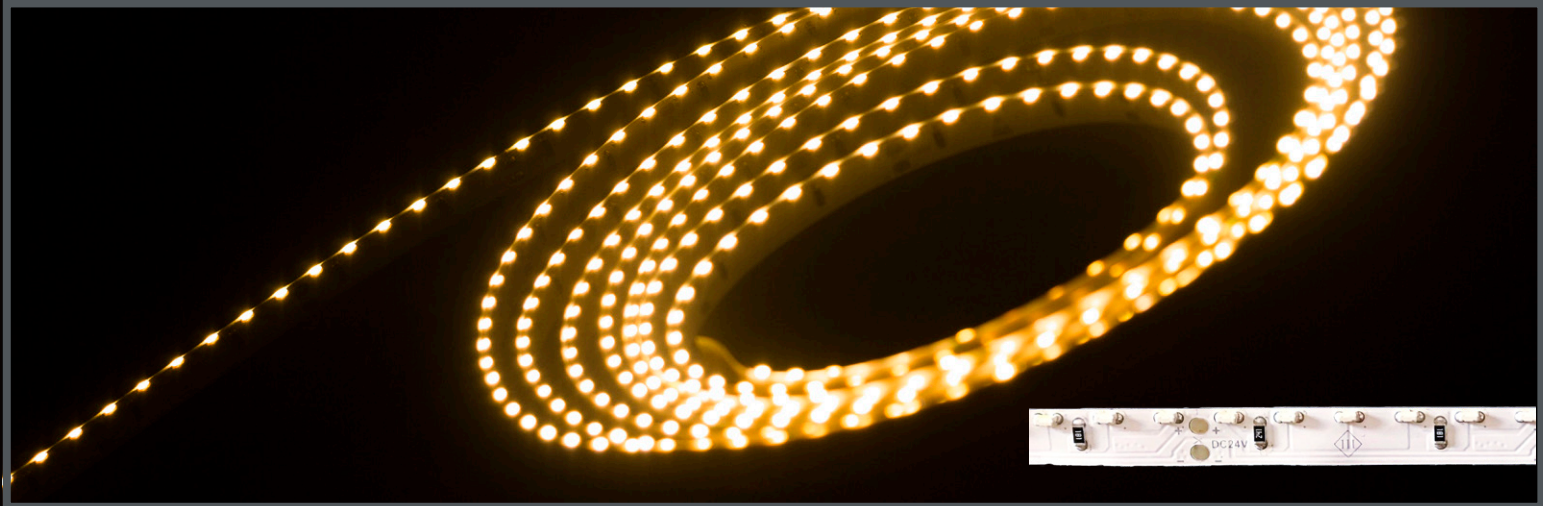
Model	Voltage	LED type	Power	Current	Colour temp.	Luminous flux	Width	IP
UHQN-7W-98LED-W	24 V	98 x 2014	6.7 W	0.28 A / m	~6500K	580 lm / m	4 mm	20
UHQN-7W-98LED-NW					~5000K	600 lm / m		
UHQN-7W-98LED-NW					~4000K	550 lm / m		
UHQN-7W-98LED-WW					~3000K	540 lm / m		
UHQN-7W-98LED-WW					~2700K	530 lm / m		
UHQN-98LED-7W-WW					~2400K	530 lm / m		
UHQN-7W-98LED-WW					~2200K	490 lm / m		
UHQN-7W-98LED-WW		~1800K	380 lm / m					
UHQN-9W-126LED-W		126 x 2014	8.6 W	0.36 A / m	~6500K	750 lm / m		
UHQN-9W-126LED-NW					~5000K	775 lm / m		
UHQN-9W-126LED-NW					~4000K	775 lm / m		
UHQN-9W-126LED-WW					~3000K	710 lm / m		
UHQN-9W-126LED-WW					~2700K	700 lm / m		
UHQN-9W-126LED-WW					~2400K	680 lm / m		
UHQN-9W-126LED-WW	~2200K				635 lm / m			
UHQN-9W-126LED-WW	~1800K	490 lm / m						

UHQN-7W-98LED-X



UHQN-9W-126LED-X





## FEATURES

- Edged LED flex strip - light beam towards edge
- High-strength 3014 SMD LED, highly reliable
- ERP system, good colour uniformity
- Anti-oxidation by silver for bonding pad
- 5 years warranty

CRI>90

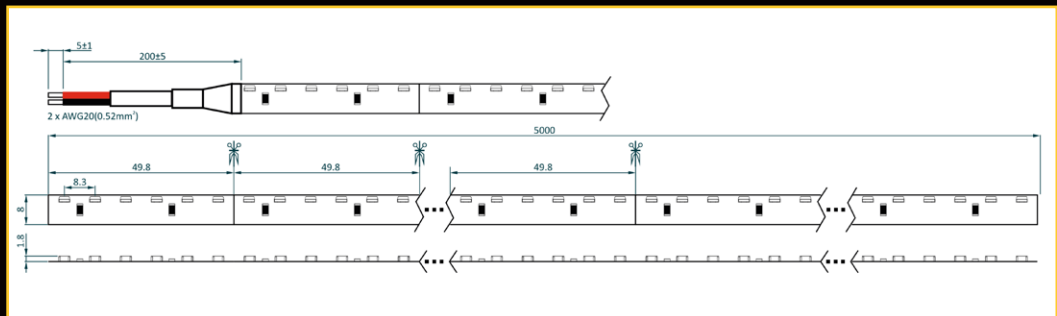
120°

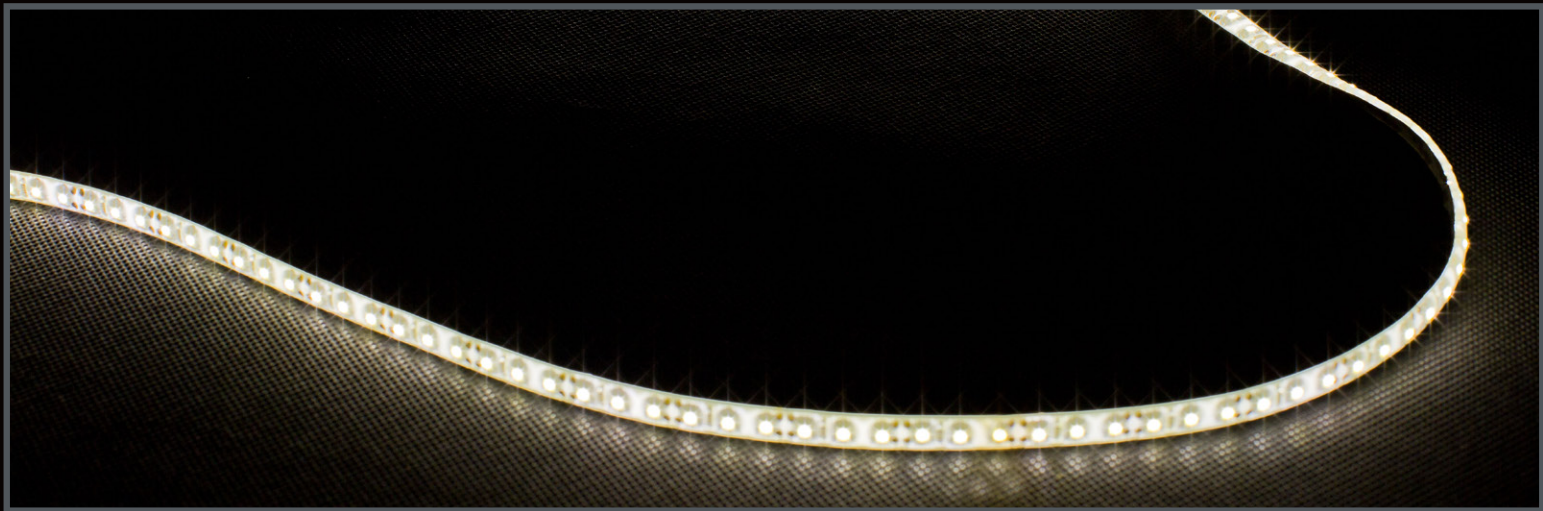
5  
years  
warranty



Model	Voltage	LED type	Power	Current	Colour temp.	Luminous flux	Width	IP			
UHQE-6W-60LED-W	24 V	60 x 3014	4.8 W	0.2 A / m	~6500K	456 lm / m	8 mm	20			
UHQE-6W-60LED-NW					~5000K	470 lm / m					
UHQE-6W-60LED-NW					~4000K	432 lm / m					
UHQE-6W-60LED-WW					~3000K	423 lm / m					
UHQE-6W-60LED-WW					~2700K	414 lm / m					
UHQE-6W-60LED-WW					~2400K	414 lm / m					
UHQE-6W-60LED-WW					~2200K	385 lm / m					
UHQE-6W-60LED-WW					~1800K	296 lm / m					
UHQE-9W-120LED-W					120 x 3014	8.6 W			0.36 A / m	~6500K	836 lm / m
UHQE-9W-120LED-NW										~5000K	862 lm / m
UHQE-9W-120LED-NW										~4000K	793 lm / m
UHQE-9W-120LED-WW										~3000K	776 lm / m
UHQE-9W-120LED-WW										~2700K	759 lm / m
UHQE-9W-120LED-WW										~2400K	707 lm / m
UHQE-9W-120LED-WW	~2200K	707 lm / m									
UHQE-9W-120LED-WW	~1800K	545 lm / m									

UHQE-9W-120LED-X





## FEATURES

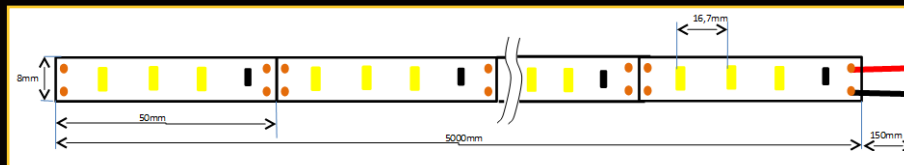
- Excellent decorative properties
- Warranty 1 year by the light 12h / day
- The ability to cut every 5 cm (60LED) and 2.5 cm (120LED)
- Double PCB - very good flow of current withing the strips, reduced heat loss, long life diodes
- Easy installation with sellotape 3M



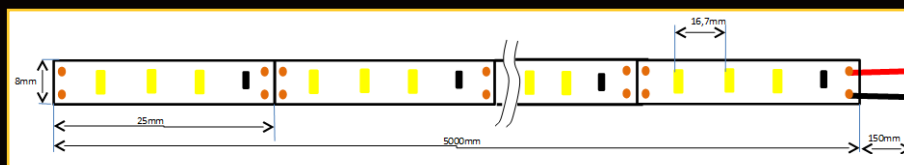
CE RoHS

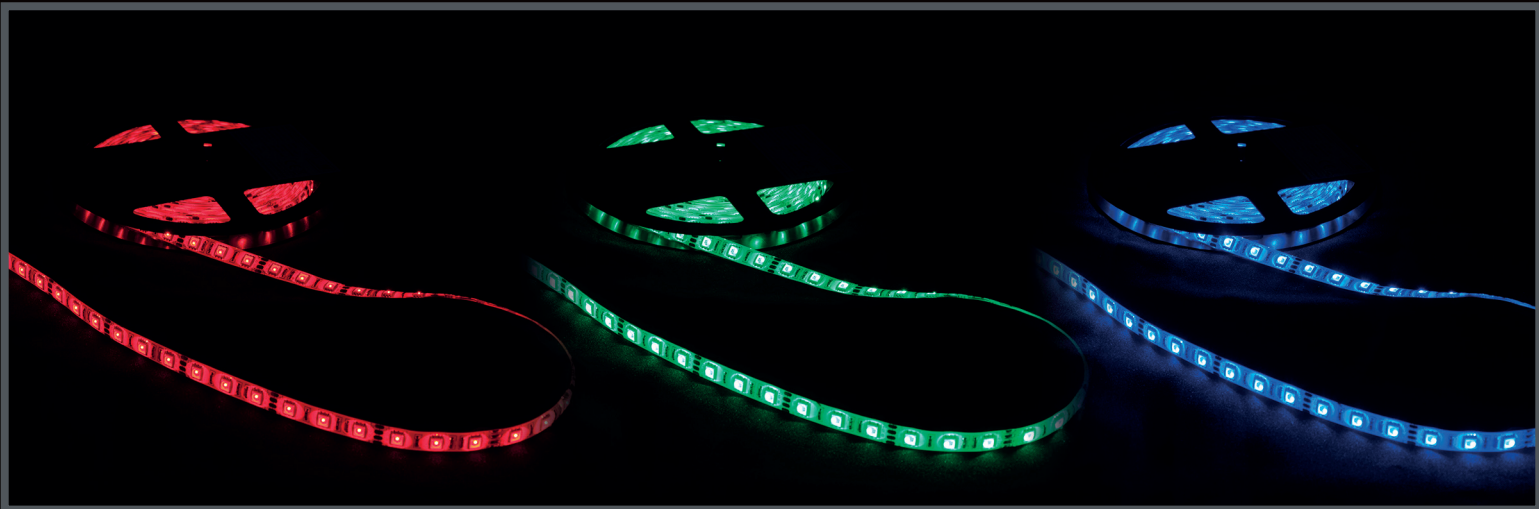
Model	Voltage	LED type	Power	Current	Colour temp.	Luminous flux	Width	IP
LC-6W-60LED-W	12 V	60 x 2835	6 W	0.5 A / m	~6500K	210 lm / m	8 mm	20
LC-6W-60LED-WW					~3000K	180 lm / m		
LC-12W-60LED-CW			12 W	1 A / m	~9000K	660 lm / m		
LC-12W-60LED-W					~6500K	640 lm / m		
LC-12W-60LED-NW			~4500K	560 lm / m	~3000K	420 lm / m		
LC-12W-60LED-WW								
LC-9.6W-120LED-W		120 x 2835	9.6 W	0.8 A / m	~6500K	450 lm / m	10 mm	
LC-9.6W-120LED-WW					~3000K	420 lm / m		
LC-18W-120LED-CW			18 W	0.8 A / m	~9000K	1200 lm / m		
LC-18W-120LED-W					~6500K	1100 lm / m		
LC-18W-120LED-NW			~4500K	1200 lm / m	~3000K	900 lm / m		
LC-18W-120LED-WW								

LC-12W-60LED-X



LC-9.6W-120LED-X





## FEATURES

- Excellent decorative properties
- Warranty 1 year by the light 12h / day
- The ability to cut every 10 cm (30LED) and 5 cm (60LED)
- Standard brightness
- Easy installation with sellotape 3M

CRI>65

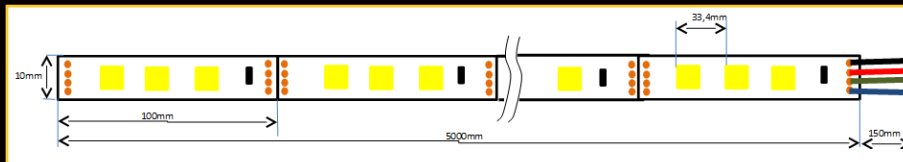
120°

1  
years  
warranty

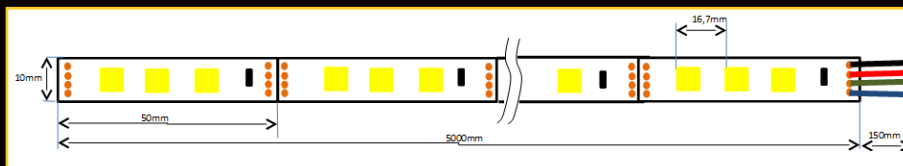
CE RoHS

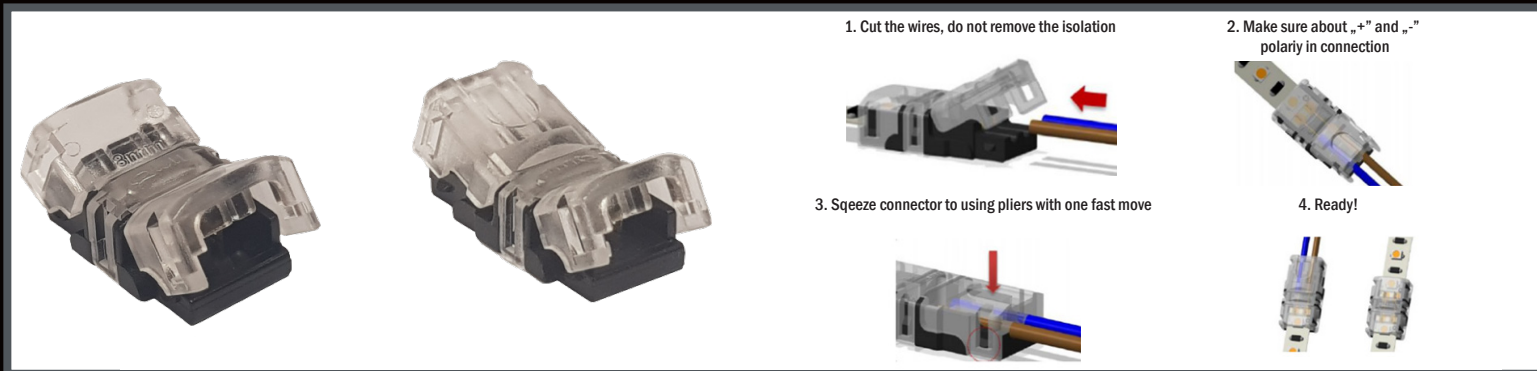
Model	Voltage	LED type	Power	Current	Colour temp.	Luminous flux	Width	IP
LC-7.2W-30LED-RGB	12 V	30 x 5050	7.2 W	0.6 A / m		36 - 258 lm / m	10 mm	20
LC-7.2W-30LED-RGB-WP								54
LC-14.4W-60LED-RGB		60 x 5050	14.4 W	1.2 A / m				20
LC-14.4W-60LED-RGB-WP								54

LC-7.2W-30LED-RGB-X



LC-14.4W-60LED-RGB-X





## FEATURES

- For LED Strip 8 mm or 10 mm connection
- For fine LED Strip with wire connection
- Estetic design
- Latch system
- No-soldering system
- Galvanic connection

Photo	Model	PCB	Strip type	Junction type
	4S-CON-WS-8mm	8 mm	non-waterproof	strip + wire
	4S-CON-SS-8mm	8 mm	non-waterproof	strip + strip
	4S-CON-WS-10mm	10 mm	non-waterproof	strip + wire
	4S-CON-SS-10mm	10 mm	non-waterproof	strip + strip
	4S-CON-WS-10mm-DUAL	10 mm	non-waterproof, dual-colour	strip + wire
	4S-CON-WS-10mm-RGB	10 mm	non-waterproof	strip + wire
	4S-CON-WS-12mm-RGBW	12 mm	non-waterproof	strip + wire
	4S-CON-SS-10mm-DUAL	10 mm	non-waterproof, dual-colour	strip + strip
	4S-CON-SS-10mm-RGB	10 mm	non-waterproof	strip + strip
	4S-CON-SS-12mm-RGBW	12 mm	non-waterproof	strip + strip
	4S-CON-WS-8mm-WP	8 mm	gel waterproof	strip + wire
	4S-CON-WS-10mm-WP	10 mm	gel waterproof	strip + wire
	4S-CON-WS-10mm-RGB-WP	10 mm	gel waterproof	strip + wire
	4S-CON-WS-12mm-RGBW-WP	10 mm	gel waterproof	strip + wire

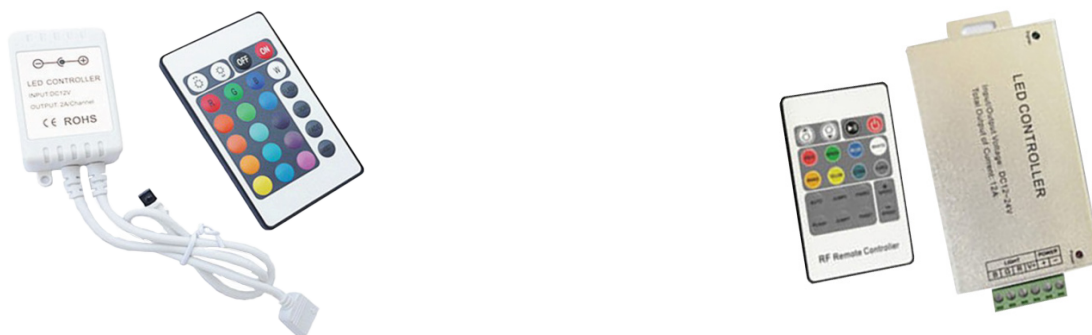


Photo	Model	PCB	Strip type	Junction type	Wire length
	CLICK-8A	8 mm	non-waterproof	single side + wire	10 cm
	CLICK-8B	8 mm	non-waterproof	double side	-
	CLICK-8C	8 mm	non-waterproof	double side + wire	10 cm
	CLICK-8A-WP	8 mm	gel waterproof	single side + wire	10 cm
	CLICK-8B-WP	8 mm	gel waterproof	double side	-
	CLICK-8C-WP	8 mm	gel waterproof	double side + wire	10 cm
	CLICK-8L	8 mm	non-waterproof	90deg curve	-
	CLICK-8T	8 mm	non-waterproof	3-way connection	-
	CLICK-8X	8 mm	non-waterproof	4-way connection	-
	CLICK-10A	8 mm	non-waterproof	single side + wire	10 cm
	CLICK-10B	8 mm	non-waterproof	double side	-
	CLICK-10C	8 mm	non-waterproof	double side + wire	10 cm
	CLICK-10A-WP	10 mm	gel waterproof	single side + wire	10 cm
	CLICK-10B-WP	10 mm	gel waterproof	double side	-
	CLICK-10C-WP	10 mm	gel waterproof	double side + wire	10 cm
	CLICK-10L	10 mm	non-waterproof	90 deg curve	-
	CLICK-10T	10 mm	non-waterproof	3-way connection	-
	CLICK-10X	10 mm	non-waterproof	4-way connection	-
	CLICK-10A-RGB	10 mm	non-waterproof	single side + wire	10 cm
	CLICK-10B-RGB	10 mm	non-waterproof	double side	-
	CLICK-10C-RGB	10 mm	non-waterproof	double side + wire	10 cm
	CLICK-10L-RGB	10 mm	non-waterproof	90 deg curve	-
	CLICK-10T-RGB	10 mm	non-waterproof	3-way connection	-
	CLICK-10X-RGB	10 mm	non-waterproof	4-way connection	-
	4S-CONWP-2-WH-SET	2-pin	non-waterproof	Wire-Wire (up to 300V)	20 cm + 20 cm
	4S-CONWP-4-BL-SET	4-pin	non-waterproof	Wire-Wire (up to 300V)	20 cm + 20 cm
	CONT-8L	8 mm	non-waterproof	90 deg curve	-
	CONT-8T	8 mm	non-waterproof	3-way connection	-
	CONT-10L	10 mm	non-waterproof	90 deg curve	-
	CONT-10T	10 mm	non-waterproof	3-way connection	-



## FEATURES

- Suitable for MW LIGHTING LED strips
- Clamp connection
- Perfect for joining lengths of tapes
- Possibility to make turns and crossings
- Versions with and without cable
- Special versions for gel tapes (-WP)



## FEATURES

- Control of 12 V or 24 V RGB LEDs with common anode
- Cooperation with RGB LED strips and RGB LED modules
- RF radio transmission
- Low power consumption
- 2 years warranty
- Operation with signal amplifiers
- PWM type output
- Easy to connect using screw connectors

Photo	Model	Voltage	Strip type	Output	Max power	Control
	MW-CTR-LUNA230-1SS1C	230 V	batteryless remote	1 Single Switch 1 single controller	1000 W res 200 W ind	RF 433 MHz
	MW-CTR-LUNA230-2SS1C	230 V	batteryless remote	2 Single Switch 1 single controller	1000 W res 200 W ind	RF 433 MHz
	MW-CTR-LUNA230-1DS2C	230 V	batteryless remote	1 Double Switch 1 single controller	1000 W res 200 W ind	RF 433 MHz
	MW-CTR-LUNA230-1SS	-	batteryless remote	1 Single Switch	-	RF 433 MHz
	MW-CTR-LUNA230-1DS	-	batteryless remote	1 Double Switch	-	RF 433 MHz
	MW-CTR-LUNA230-1C	230 V	-	1 single controller	1000 W res 200 W ind	RF 433 MHz
	MW-CTR-RGB-2A-01	12 V	RGB	3 x 2 A	72 W	IR
	MW-CTR-RGB-4A-01	12 V / 24 V	RGB	3 x 4 A	12 V: 144 W 24 V: 288 W	RF
	MW-CTR-RGB-8A-01	12 V / 24 V	RGB	3 x 8 A	12 V: 288 W 24 V: 576 W	RF
	MW-CTR-RGB-6A-01	12 V / 24 V	RGB	3 x 6 A	„12 V: 216 W 24 V: 432 W”	RF
	MW-CTR-RGB-4A-02	12 V / 24 V	RGB	3 x 4 A	„12 V: 144 W 24 V: 288 W”	RF

# MW-CTR and E-CONTROL



## FEATURES

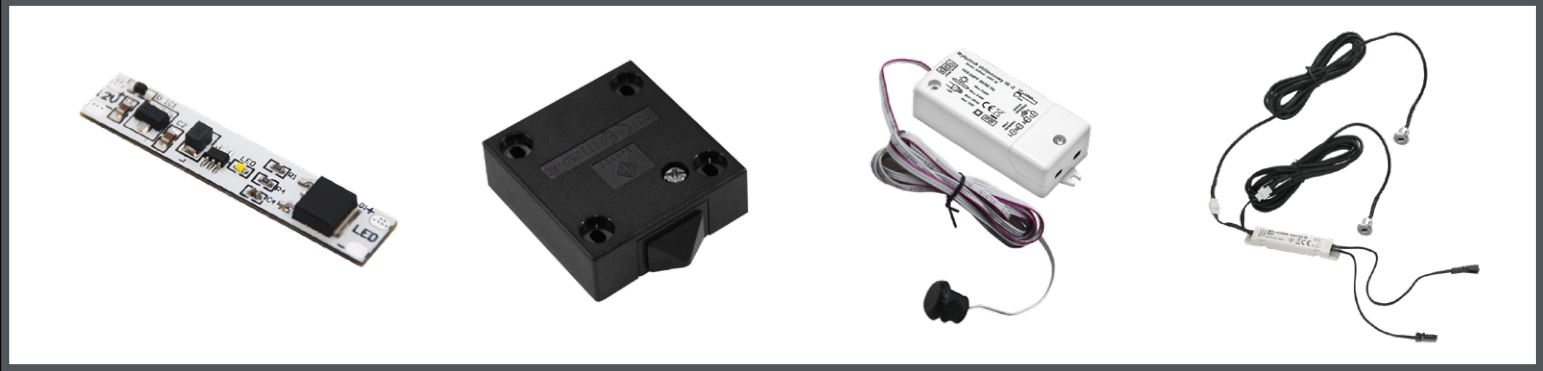
- Control of 12 V or 24 V RGB LEDs with common anode
- Cooperation with RGB LED strips and RGB LED modules
- RF radio transmission
- Low power consumption
- 2 years warranty
- Operation with signal amplifiers
- PWM type output
- Easy to connect using screw connectors

Photo	Model	Voltage	Strip type	Output	Max power	Control
	MW-CTR-RGB-4A-Panel	12 V / 24 V	RGB	3 x 4 A	12 V: 144 W 24 V: 288 W	RF + manual
	MW-CTR-RGB-4A-Panel-Eco	12 V / 24 V	RGB	3 x 4 A	12 V: 144 W 24 V: 288 W	manual
	MW-CTR-RGB-6A-02	12 V / 24 V	RGB	3 x 6 A	12 V: 216 W 24 V: 432 W	RF
	MW-CTR-CCT-6A-02-Tx	12 V / 24 V	SINGLE / DUAL	-	-	RF
	MW-CTR-CCT-6A-02-Rx	12 V / 24 V	SINGLE / DUAL	2 x 6 A	single: 12 V: 72 W 24 V: 144 W dual: 12 V: 120 W 24 V: 240 W	RF
	MW-CTR-RGBW-6A-TX-01	12 V / 24 V	RGBW	-	-	RF
	MW-CTR-RGBW-6A-RX-01	12 V / 24 V	RGBW	4 x 6 A	12 V: 288 W 24 V: 576 W	RF
	MW-CTR-RGB-AMP-4A-01	12 V / 24 V	RGB	3 x 4 A	12 V: 144 W 24 V: 288 W	-
	MW-CTR-RGB-AMP-8A-01	12 V / 24 V	RGB	3 x 8 A	12 V: 288 W 24 V: 576 W	-
	MW-CTR-MONO-8A-01	12 V / 24 V	SINGLE	1 x 8 A	12 V: 96 W 24 V: 192 W	RF
	MW-CTR-MONO-8A-02	12 V / 24 V	SINGLE	1 x 8 A	12 V: 96 W 24 V: 192 W	RF + manual





# HE-WD and HE-WZ



## FEATURES HE-WDL & HE-WZB

- Mounting in the aluminium profile for LED strips
- Allows to switch on and off
- Touch sensitive
- For connecting LED strips
- Brightening and dimming (HE-WDLS series)
- Proximity (non-contact) (HE-WZBLS-1)
- Proximity (non-contact) - infrared (HE-WZBLS-2-IR)

## FEATURES HE-WDP & HE-WDP-IR

- Used for sliding doors and hinged doors to automatically switch on lighting
- Allows switching on and off
- Mechanical contact (HE-WDP)
- Monostable contact
- Electronic contact (HE-WDP-IR)
- Flush-mounted sensor (HE-WDP-xB-IR)
- Surface sensor (HE-WDP-xA-IR)

Photo	Model	Voltage	Strip type	Output	Max power	Control
	HE-WDL-1	12 V dc	MONO	1 x 5 A	60 W	TOUCH
	HE-WDL-2	12 V dc	MONO	1 x 5 A	60 W	TOUCH
	HE-WDLS-3	12 V dc 24 V dc	MONO	1 x 10 A	120 W 120 W	TOUCH
	HE-WDLS-4	12 V dc 24 V dc	MONO	1 x 8 A	96 W 192 W	TOUCH
	HE-WZBLS-1	12 V dc 24 V dc	MONO	1 x 8 A	96 W 192 W	Move sensor
	HE-WZBLS-2-IR	12 V dc 24 V dc	MONO	1 x 8 A	96 W 192 W	Move sensor
	HE-WDP-M1 black	230 V ac	SINGLE / DUAL RGB / RGBW	2 A	500 W	TOUCH click
	HE-WDP-M1 white	230 V ac	SINGLE / DUAL RGB / RGBW	2 A	500 W	TOUCH click
	HE-WDP-M2 black	230 V ac	SINGLE / DUAL RGB / RGBW	2 A	500 W	TOUCH click
	HE-WDP-M2 white	230 V ac	SINGLE / DUAL RGB / RGBW	2 A	500 W	TOUCH click
	HE-WDP-4A-IR	12 V dc	MONO	1 x 2,5 A	30 W	MOVE (surface sensor)
	HE-WDP-4B-IR	12 V dc	MONO	1 x 2,5 A	30 W	MOVE (surface sensor)
	HE-WDP-5A-IR	12 V dc	MONO	1 x 2,5 A	30 W	MOVE (surface sensor)
	HE-WDP-5B-IR	12 V dc	MONO	1 x 2,5 A	30 W	MOVE (surface sensor)



## FEATURES HE-WUN & HE-WZB

- Use in furniture lighting
- Universal type
- 2 in 1 switch (monostable and bistable)
- With or without JSTM plug and socket (HE-WUN)
- For connecting LED strips and lights
- Easy snap-on connection (HE-WUN)
- Works with infrared (IR waves)

## FEATURES HE-WDS, HE-WBL

- Used for furniture lighting
- Electronic contact
- Bistable contact
- Recessed sensor
- Infrared control IR
- Allows you to darken and lighten (HE-WDS)

Photo	Model	Voltage	Strip type	Output	Max power	Control
	HE-WUN-1-IR (black case)	12 V dc	MONO	1 x 5 A	60 W	MOVE
	HE-WUN-1-IR-WH (white case)	12 V dc	MONO	1 x 5 A	60 W	MOVE
	HE-WZB-2C-IR	230 V ac	MONO	1 A	250 W	MOVE
	HE-WZB-4A-IR	12 V dc	MONO	1 x 2,5 A	30 W	MOVE (surface sensor)
	HE-WZB-4B-IR	12 V dc	MONO	1 x 2,5 A	30 W	MOVE (recessed sensor)
	HE-WDS-1 alu	12 V dc	MONO	1 x 1,5 A	18 W	TOUCH
	HE-WDS-1 black	12 V dc	MONO	1 x 1,5 A	18 W	TOUCH
	HE-WDS-2max	12 V dc	MONO	1 x 5 A	60 W	TOUCH
	HE-WDS-3	12 V dc	MONO	1 x 4 A	48 W	TOUCH
	HE-WBL-3 (for MDF 18mm)	12 V dc	MONO	1 x 5 A	60 W	TOUCH
	HE-WBLS-4 (for MDF 18mm)	12 V dc	MONO	1 x 5 A	60 W	TOUCH



## SERIES PROFILE

### AL12-GLS1-yy-xxxx

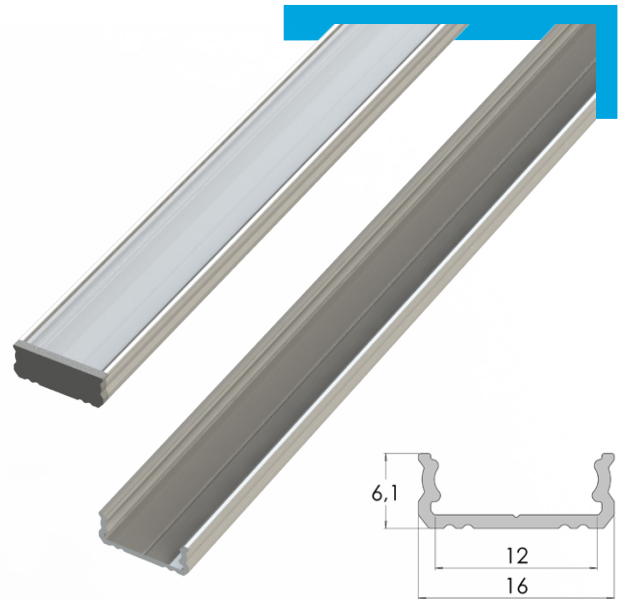
yy - **AS** - silver anodized, **AB** - black anodized, **LB** - black powder coated, **LW** - white powder coated, **RW** - raw aluminium  
xxxx - **1000** - 1m, **2020** - 2.01 m, **3000** - 3.03 m

AVAILABLE COLOURS: **SILVER, WHITE, BLACK**

MATERIAL: **ALUMINIUM**

APPLICATION: **SURFACE TILES**

LED STRIP WIDTH: **UP TO 12 mm**



## SERIES PROFILE

### AL12-GLS2-yy-xxxx

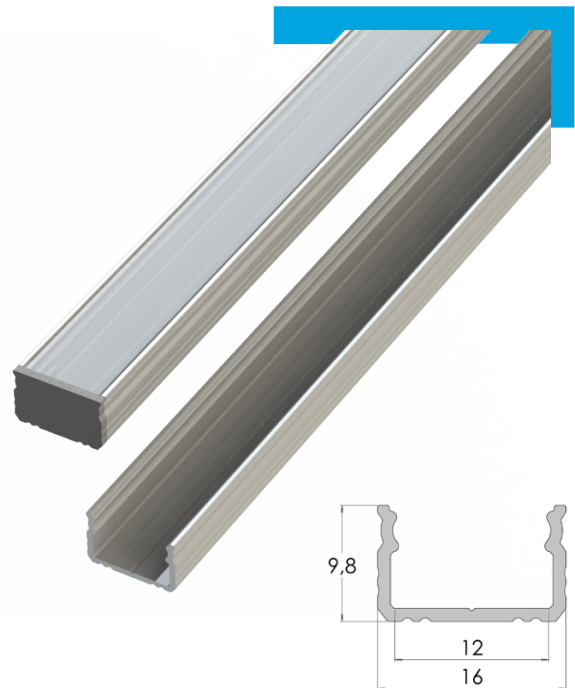
yy - **AS** - silver anodized, **AB** - black anodized, **LB** - black powder coated, **LW** - white powder coated, **RW** - raw aluminium  
xxxx - **1000** - 1m, **2020** - 2.01 m, **3000** - 3.03 m

AVAILABLE COLOURS: **SILVER, WHITE, BLACK**

MATERIAL: **ALUMINIUM**

APPLICATION: **SURFACE TILES**

LED STRIP WIDTH: **UP TO 12 mm**





FOR AL12-GLS1 & 2 SERIES

## END-CAPS

Model	Color	Photo
AL12-GLS1-AB-EC AL12-GLS1-AB-EC-0 AL12-GLS1-AB-EC-SET10* AL12-GLS1-AB-EC-SET50**	Black	
AL12-GLS1-AS-EC AL12-GLS1-AS-EC-0 AL12-GLS1-AS-EC-SET10* AL12-GLS1-AS-EC-SET50**	Grey	
AL12-GLS1-LW-EC AL12-GLS1-LW-EC-0 AL12-GLS1-LW-EC-SET10* AL12-GLS1-LW-EC-SET50**	White	
AL12-GLS2-AB-EC AL12-GLS2-AB-EC-0 AL12-GLS2-AB-EC-SET10* AL12-GLS2-AB-EC-SET50**	Black	
AL12-GLS2-AS-EC AL12-GLS2-AS-EC-0 AL12-GLS2-AS-EC-SET10* AL12-GLS2-AS-EC-SET50**	Grey	
AL12-GLS2-LW-EC AL12-GLS2-LW-EC-0 AL12-GLS2-LW-EC-SET10* AL12-GLS2-LW-EC-SET50**	White	

\*SET10 include: 10 sets of end caps (10x end cap without hole, 10x end caps with hole)

\*\*SET50 - include: 50 sets of end caps (50x end cap without hole, 50x end cap with hole)

FOR AL12-GLS1

## MOUNTING BRACKETS

Model	Color	Photo
AL12-GLS1-AB-MB AL12-GLS1-AB-MB-SET10* AL12-GLS1-AB-MB-SET50**	Plastic Black	
AL12-GLS1-AS-MB AL12-GLS1-AS-MB-SET10* AL12-GLS1-AS-MB-SET50**	Plastic Grey	
AL12-GLS1-LW-MB AL12-GLS1-LW-MB-SET10* AL12-GLS1-LW-MB-SET50**	Plastic White	
AL12-GLS1-TR-MB AL12-GLS1-TR-MB-SET10* AL12-GLS1-TR-MB-SET50**	Plastic Transparent	

FOR AL12-GLS2 SERIES

## MOUNTING BRACKETS

AL12-GLS2-AB-MB AL12-GLS2-AB-MB-SET10* AL12-GLS2-AB-MB-SET50**	Plastic Black	
AL12-GLS2-AS-MB AL12-GLS2-AS-MB-SET10* AL12-GLS2-AS-MB-SET50**	Plastic Grey	
AL12-GLS2-LW-MB AL12-GLS2-LW-MB-SET10* AL12-GLS2-LW-MB-SET50**	Plastic White	
AL12-GLS2-TR-MB AL12-GLS2-TR-MB-SET10* AL12-GLS2-TR-MB-SET50**	Plastic Transparent	

\*SET10 - include: 10 sets of clips (10x clip, 10x screw)

\*\*SET50 - include: 50 sets of clips (50x clip, 50x screw)



## SERIES PROFILE

### AL12-GLS3-yy-xxxx

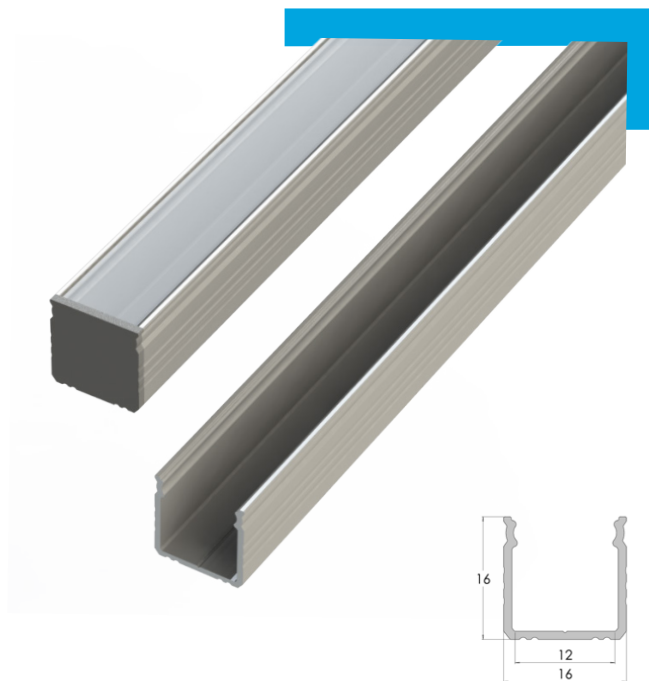
yy - **AS** - silver anodized, **AB** - black anodized, **LB** - black powder coated, **LW** - white powder coated, **RW** - raw aluminium  
xxxx - **1000** - 1m, **2020** - 2.01 m, **3000** - 3.03 m

AVAILABLE COLOURS: SILVER, WHITE, BLACK

MATERIAL: ALUMINIUM

APPLICATION: SURFACE TILES

LED STRIP WIDTH: UP TO 12 mm



## SERIES PROFILE

### AL12-GLS4-yy-xxxx

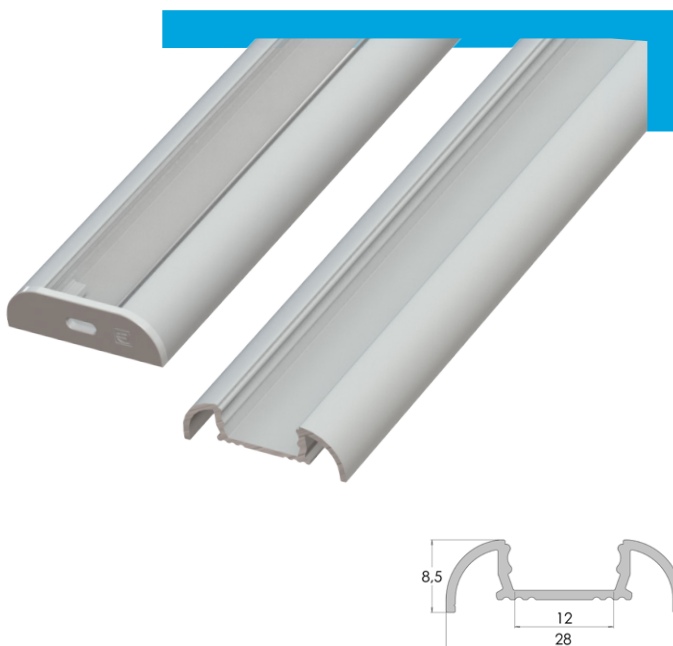
yy - **AS** - silver anodized, **AB** - black anodized, **LB** - black powder coated, **LW** - white powder coated, **RW** - raw aluminium  
xxxx - **1000** - 1m, **2020** - 2.01 m, **3000** - 3.03 m

AVAILABLE COLOURS: SILVER, WHITE, BLACK

MATERIAL: ALUMINIUM

APPLICATION: SURFACE TILES

LED STRIP WIDTH: UP TO 12 mm





FOR AL12-GLS3 & 4 SERIES

## END-CAPS

Model	Color	Photo
AL12-GLS3-AB-EC AL12-GLS3-AB-EC-0 AL12-GLS3-AB-EC-SET10* AL12-GLS3-AB-EC-SET50**	Black	
AL12-GLS3-AS-EC AL12-GLS3-AS-EC-0 AL12-GLS3-AS-EC-SET10* AL12-GLS3-AS-EC-SET50**	Grey	
AL12-GLS3-LW-EC AL12-GLS3-LW-EC-0 AL12-GLS3-LW-EC-SET10* AL12-GLS3-LW-EC-SET50**	White	
AL12-GLS4-AB-EC AL12-GLS4-AB-EC-0 AL12-GLS4-AB-EC-SET10* AL12-GLS4-AB-EC-SET50**	Black	
AL12-GLS4-AS-EC AL12-GLS4-AS-EC-0 AL12-GLS4-AS-EC-SET10* AL12-GLS4-AS-EC-SET50**	Grey	
AL12-GLS4-LW-EC AL12-GLS4-LW-EC-0 AL12-GLS4-LW-EC-SET10* AL12-GLS4-LW-EC-SET50**	White	

\*SET10 include: 10 sets of end caps (10x end cap without hole, 10x end caps with hole)

\*\*SET50 - include: 50 sets of end caps (50x end cap without hole, 50x end cap with hole)

FOR AL12-GLS3

## MOUNTING BRACKETS

Model	Color	Photo
AL12-GLS3-AB-MB AL12-GLS3-AB-MB-SET10* AL12-GLS3-AB-MB-SET50**	Plastic Black	
AL12-GLS3-AS-MB AL12-GLS3-AS-MB-SET10* AL12-GLS3-AS-MB-SET50**	Plastic Grey	
AL12-GLS3-LW-MB AL12-GLS3-LW-MB-SET10* AL12-GLS3-LW-MB-SET50**	Plastic White	
AL12-GLS3-TR-MB AL12-GLS3-TR-MB-SET10* AL12-GLS3-TR-MB-SET50**	Plastic Transparent	
AL12-GLS3-AB-MB-M AL12-GLS3-AB-MB-M-SET10* AL12-GLS3-AB-MB-M-SET50**	Metal Black	
AL12-GLS3-AS-MB-M AL12-GLS3-AS-MB-M-SET10* AL12-GLS3-AS-MB-M-SET50**	Metal Silver	
AL12-GLS3-LW-MB-M AL12-GLS3-LW-MB-M-SET10* AL12-GLS3-LW-MB-M-SET50**	Metal White	

FOR AL12-GLS4 SERIES

## MOUNTING BRACKETS

Model	Color	Photo
AL12-GLS4-TR-MB AL12-GLS4-TR-MB-SET10* AL12-GLS4-TR-MB-SET50**	Plastic Transparent	

\*SET10 - include: 10 sets of clips (10x clip, 10x screw)

\*\*SET50 - include: 50 sets of clips (50x clip, 50x screw)



## SERIES PROFILE

### AL12-GLG1-yy-xxxx

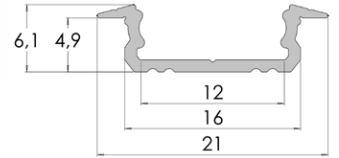
yy - **AS** - silver anodized, **AB** - black anodized, **LB** - black powder coated, **LW** - white powder coated, **RW** - raw aluminium  
xxxx - **1000** - 1m, **2020** - 2.01 m, **3000** - 3.03 m

AVAILABLE COLOURS: **SILVER, WHITE, BLACK**

MATERIAL: **ALUMINIUM**

APPLICATION: **GROOVE, RECESSED TILES**

LED STRIP WIDTH: **UP TO 12 mm**



## SERIES PROFILE

### AL12-GLG2-yy-xxxx

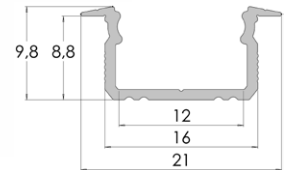
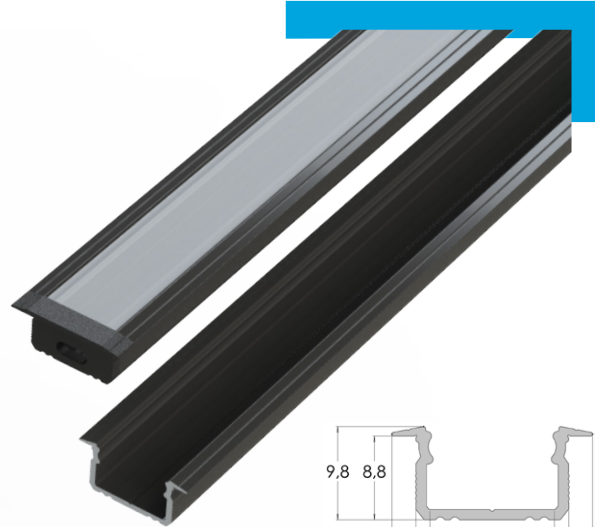
yy - **AS** - silver anodized, **AB** - black anodized, **LB** - black powder coated, **LW** - white powder coated, **RW** - raw aluminium  
xxxx - **1000** - 1m, **2020** - 2.01 m, **3000** - 3.03 m

AVAILABLE COLOURS: **SILVER, WHITE, BLACK**

MATERIAL: **ALUMINIUM**

APPLICATION: **GROOVE, RECESSED TILES**

LED STRIP WIDTH: **UP TO 12 mm**



## SERIES PROFILE

### AL12-GLG3-yy-xxxx

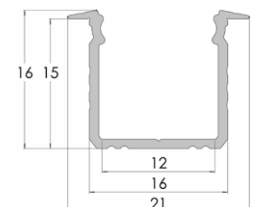
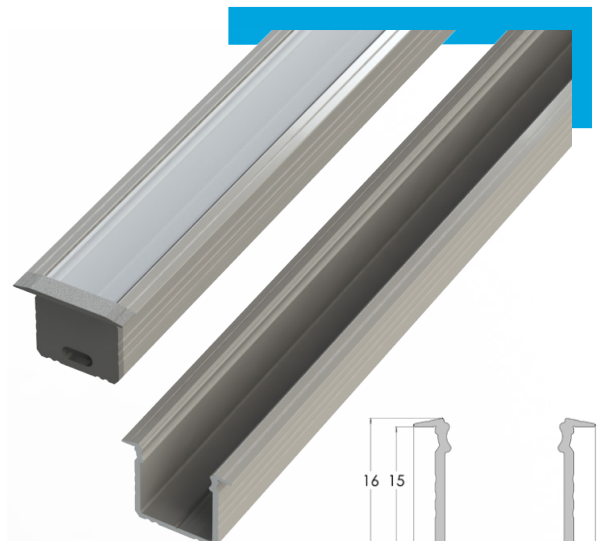
yy - **AS** - silver anodized, **AB** - black anodized, **LB** - black powder coated, **LW** - white powder coated, **RW** - raw aluminium  
xxxx - **1000** - 1m, **2020** - 2.01 m, **3000** - 3.03 m

AVAILABLE COLOURS: **SILVER, WHITE, BLACK**

MATERIAL: **ALUMINIUM**

APPLICATION: **GROOVE, RECESSED TILES**

LED STRIP WIDTH: **UP TO 12 mm**





FOR AL12-GLG SERIES

## END-CAPS

Model	Color	Photo
AL12-GLG1-AB-EC-0 AL12-GLG1-AB-EC-SET10* AL12-GLG1-AB-EC-SET50**	Black	
AL12-GLG1-AS-EC-0 AL12-GLG1-AS-EC-SET10* AL12-GLG1-AS-EC-SET50**	Grey	
AL12-GLG1-LW-EC-0 AL12-GLG1-LW-EC-SET10* AL12-GLG1-LW-EC-SET50**	White	
AL12-GLG2-AB-EC-0 AL12-GLG2-AB-EC-SET10* AL12-GLG2-AB-EC-SET50**	Black	
AL12-GLG2-AS-EC-0 AL12-GLG2-AS-EC-SET10* AL12-GLG2-AS-EC-SET50**	Grey	
AL12-GLG2-LW-EC-0 AL12-GLG2-LW-EC-SET10* AL12-GLG2-LW-EC-SET50**	White	
AL12-GLG3-AB-EC-0 AL12-GLG3-AB-EC-SET10* AL12-GLG3-AB-EC-SET50**	Black	
AL12-GLG3-AS-EC-0 AL12-GLG3-AS-EC-SET10* AL12-GLG3-AS-EC-SET50**	Grey	
AL12-GLG3-LW-EC-0 AL12-GLG3-LW-EC-SET10* AL12-GLG3-LW-EC-SET50**	White	

\*SET10 - include: 10 sets of end caps (20x end caps with hole)

\*\*SET50 - include 50 sets of end caps (100x end caps with hole)





## SERIES PROFILE

### AL12-GLC1-yy-xxxx

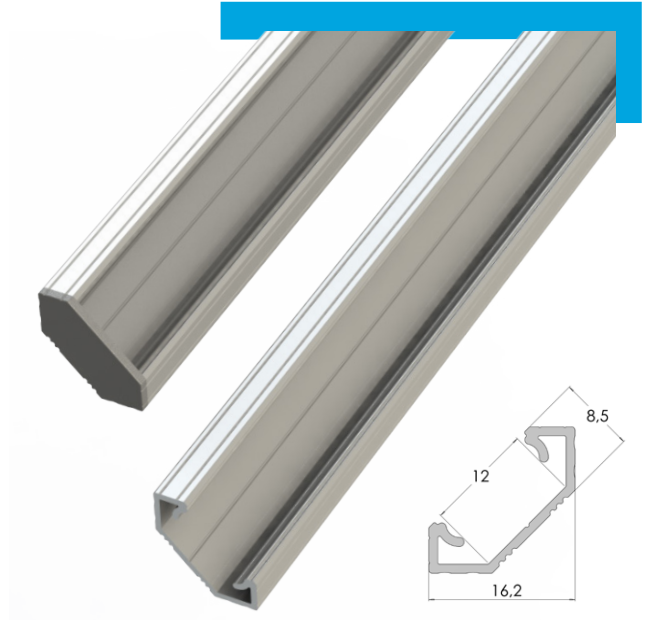
yy - **AS** - silver anodized, **AB** - black anodized, **LB** - black powder coated, **LW** - white powder coated, **RW** - raw aluminium  
xxxx - **1000** - 1m, **2020** - 2.01 m, **3000** - 3.03 m

AVAILABLE COLOURS: **SILVER, WHITE, BLACK**

MATERIAL: **ALUMINIUM**

APPLICATION: **STANDARD CORNER**

LED STRIP WIDTH: **UP TO 12 mm**



## SERIES PROFILE

### AL12-GLC2-yy-xxxx

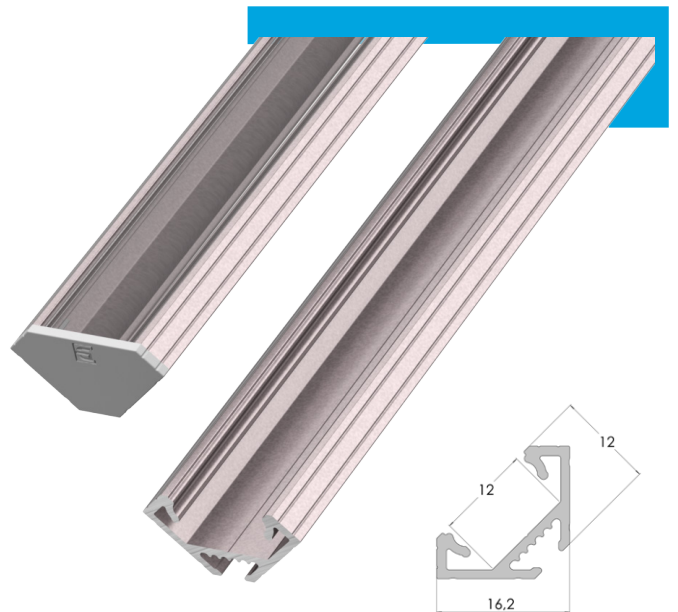
yy - **AS** - silver anodized, **AB** - black anodized, **LB** - black powder coated, **LW** - white powder coated, **RW** - raw aluminium  
xxxx - **1000** - 1m, **2020** - 2.01 m, **3000** - 3.03 m

AVAILABLE COLOURS: **SILVER, WHITE, BLACK**

MATERIAL: **ALUMINIUM**

APPLICATION: **STANDARD CORNER**

LED STRIP WIDTH: **UP TO 12 mm**





FOR AL12-GLC SERIES

## END-CAPS

Model	Color	Photo
AL12-GLC1-AB-EC AL12-GLC1-AB-EC-0 AL12-GLC1-AB-EC-SET10* AL12-GLC1-AB-EC-SET50**	Black	
AL12-GLC1-AS-EC AL12-GLC1-AS-EC-0 AL12-GLC1-AS-EC-SET10* AL12-GLC1-AS-EC-SET50**	Grey	
AL12-GLC1-LW-EC AL12-GLC1-LW-EC-0 AL12-GLC1-LW-EC-SET10* AL12-GLC1-LW-EC-SET50**	White	
AL12-GLC2-AB-EC AL12-GLC2-AB-EC-0 AL12-GLC2-AB-EC-SET10* AL12-GLC2-AB-EC-SET50**	Black	
AL12-GLC2-AS-EC AL12-GLC2-AS-EC-0 AL12-GLC2-AS-EC-SET10* AL12-GLC2-AS-EC-SET50**	Grey	
AL12-GLC2-LW-EC AL12-GLC2-LW-EC-0 AL12-GLC2-LW-EC-SET10* AL12-GLC2-LW-EC-SET50**	White	

\*SET10 include: 10 sets of end caps (10x end cap without hole, 10x end caps with hole)

\*\*SET50 - include: 50 sets of end caps (50x end cap without hole, 50x end cap with hole)

FOR AL12-GLC

## MOUNTING BRACKETS

Model	Color	Photo
AL12-GLC1-AB-MB AL12-GLC1-AB-MB-SET10* AL12-GLC1-AB-MB-SET50**	Plastic Black	
AL12-GLC1-AS-MB AL12-GLC1-AS-MB-SET10* AL12-GLC1-AS-MB-SET50**	Plastic Grey	
AL12-GLC1-LW-MB AL12-GLC1-LW-MB-SET10* AL12-GLC1-LW-MB-SET50**	Plastic White	
AL12-GLC1-TR-MB AL12-GLC1-TR-MB-SET10* AL12-GLC1-TR-MB-SET50**	Plastic Transparent	
AL12-GLC2-AB-MB AL12-GLC2-AB-MB-SET10* AL12-GLC2-AB-MB-SET50**	Plastic Black	
AL12-GLC2-AS-MB AL12-GLC2-AS-MB-SET10* AL12-GLC2-AS-MB-SET50**	Plastic Grey	
AL12-GLC2-LW-MB AL12-GLC2-LW-MB-SET10* AL12-GLC2-LW-MB-SET50**	Plastic White	
AL12-GLC2-TR-MB AL12-GLC2-TR-MB-SET10* AL12-GLC2-TR-MB-SET50**	Plastic Transparent	

\*SET10 - include: 10 sets of clips (10x clip, 10x screw)

\*\*SET50 - include: 50 sets of clips (50x clip, 50x screw)

# RECESSED PROFILE



SERIES PROFILE

## AL12-GLG5-yy-xxxx

yy - **AS** - silver anodized, **AB** - black anodized, **LB** - black powder coated, **LW** - white powder coated, **RW** - raw aluminium  
xxxx - **1000** - 1m, **2020** - 2.01 m, **3000** - 3.03 m

AVAILABLE COLOURS: SILVER, WHITE, BLACK

MATERIAL: ALUMINIUM

APPLICATION: STANDARD CORNER

LED STRIP WIDTH: UP TO 12 mm

## ACCESSORIES

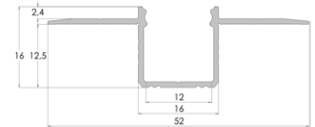
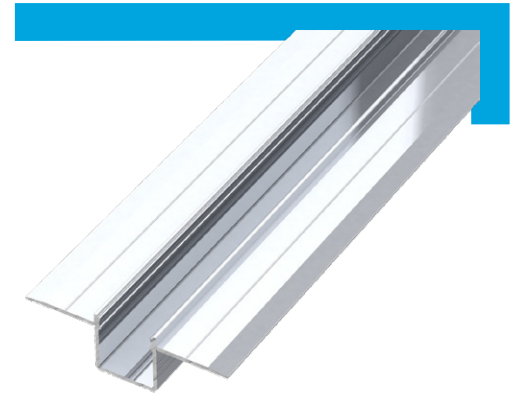
FOR AL12-GLG5 SERIES

### END-CAPS

Model	Color
AL12-GLG5-LW-EC	White
AL12-GLG5-LW-EC-0	
AL12-GLG5-LW-EC-SET10*	
AL12-GLG5-LW-EC-SET50**	

\*SET10 - include: 10 sets of end caps (20x end caps with hole)

\*\*SET50 - include 50 sets of end caps (100x end caps with hole)



## ASSEMBLY EXAMPLE





## PROFESSIONAL/STANDARD COVERS



## PC COVERS

**AL12-COV-TR-PC**  
COLOR: **TRANSPARENT** .....  
PERMEABILITY: **96%**

**AL12-COV-FR-PC**  
COLOR: **TRANSPARENT FROST** .....  
PERMEABILITY: **95%**

**AL12-COV-OP-PC**  
COLOR: **OPAL MILKY** .....  
PERMEABILITY: **92%**

**AL12-COV-ML-PC**  
COLOR: **MILK** .....  
PERMEABILITY: **64%**

**AL12-COV-BL-PC**  
COLOR: **BLACK** .....  
PERMEABILITY: **11%**

## PVC COVERS

**AL12-COV-TR-PVC**  
COLOR: **TRANSPARENT**  
.....  
PERMEABILITY: **86%**

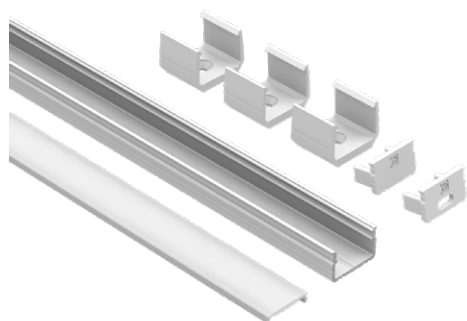
**AL12-COV-ML-PVC**  
COLOR: **MILK**  
.....  
PERMEABILITY: **42%**

COVER SELECTION TABLE FOR DIFFERENT LED STRIP POWER COMSUMPTION:

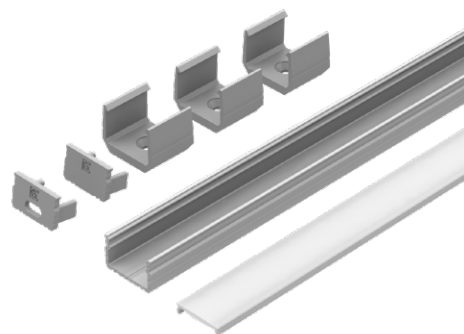
	LED strip max 6W/m		LED strip max 9,6W/m		LED strip max 12W/m		LED strip max 18W/m	LED strip max 24W/m
GLS1	PC	PVC*	PC		PC		---	---
GLS2	PC	PVC**	PC		PC		PC	---
GLS3	PC	PVC**	PC	PVC*	PC	PVC*	PC	PC
GLG1	PC	PVC*	PC		PC		---	---
GLG2	PC	PVC**	PC		PC		PC	---
GLG3	PC	PVC**	PC	PVC*	PC	PVC*	PC	PC
GLC1	PC	PVC**	PC		PC		PC	---
GLM	PC	PVC**	PC		PC		PC	---



## AL12-GLS2-LW



## AL12-GLS2-AS



<b>AL12-SET01-2m-GLS1-AS-ML</b>	2 m (2010 mm)	Surface type Anoda silver PC MILK cover	set in foil bag	alu anodized + PC cover + 2x end caps + 3x brackets
<b>AL12-SET01-2m-GLS2-AS-ML</b>	2 m (2010 mm)	Surface type Anoda silver PC MILK cover	set in foil bag	alu anodized + PC cover + 2x end caps + 3x brackets
<b>AL12-SET01-2m-GLS3-AS-ML</b>	2 m (2010 mm)	Surface type Anoda silver PC MILK cover	set in foil bag	alu anodized + PC cover + 2x end caps + 3x brackets
<b>AL12-SET01-2m-GLC1-AS-ML</b>	2 m (2010 mm)	Corner 45deg Anoda silver PC MILK cover	set in foil bag	alu anodized + PC cover + 2x end caps + 3x brackets
<b>AL12-SET01-2m-GLG2-AS-ML</b>	2 m (2010 mm)	Recessed type Anoda silver PC MILK cover	set in foil bag	alu anodized + PC cover + 2x end caps
<b>AL12-SET01-2m-GLG3-AS-ML</b>	2 m (2010 mm)	Recessed type Anoda silver PC MILK cover	set in foil bag	alu anodized + PC cover + 2x end caps
<b>AL12-SET01-2m-GLS1-LW-ML</b>	2 m (2010 mm)	Surface type White alu PC MILK cover	set in foil bag	alu + PC cover + 2x end caps + 3x brackets
<b>AL12-SET01-2m-GLS2-LW-ML</b>	2 m (2010 mm)	Surface type White alu PC MILK cover	set in foil bag	alu + PC cover + 2 x end caps + 3 x brackets
<b>AL12-SET01-2m-GLS3-LW-ML</b>	2 m (2010 mm)	Surface type White alu PC MILK cover	set in foil bag	alu + PC cover + 2x end caps + 3x brackets
<b>AL12-SET01-2m-GLC1-LW-ML</b>	2 m (2010 mm)	Corner 45deg White alu PC MILK cover	set in foil bag	alu + PC cover + 2x end caps + 3x brackets
<b>AL12-SET01-2m-GLG1-LW-ML</b>	2 m (2010 mm)	Recessed type White alu, PC MILK cover	set in foil bag	alu + PC cover + 2x end caps
<b>AL12-SET01-2m-GLG2-LW-ML</b>	2 m (2010 mm)	Recessed type White alu, PC MILK cover	set in foil bag	alu + PC cover + 2x end caps
<b>AL12-SET01-2m-GLG3-LW-ML</b>	2 m (2010 mm)	Recessed type White alu, PC MILK cover	set in foil bag	alu + PC cover + 2x end caps



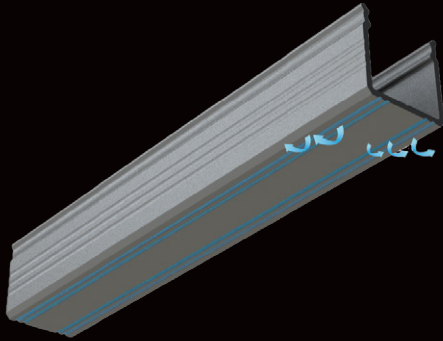
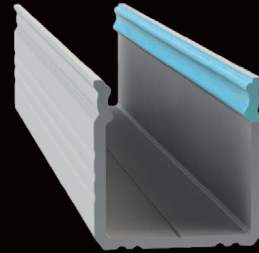
## AL12-GLS2-AB



<b>AL12-SET01-2m-GLS1-LB-ML</b>	2 m (2010 mm)	Surface type Black alu PC MILK cover	set in foil bag	alu + PC cover + 2x end caps + 3x brackets
<b>AL12-SET01-2m-GLS2-LB-ML</b>	2 m (2010 mm)	Surface type Black alu PC MILK cover	set in foil bag	alu + PC cover + 2x end caps + 3x brackets
<b>AL12-SET01-2m-GLS3-LB-ML</b>	2 m (2010 mm)	Surface type Black alu PC MILK cover	set in foil bag	alu + PC cover + 2x end caps + 3x brackets
<b>AL12-SET01-2m-GLC1-LB-ML</b>	2 m (2010 mm)	Corner 45deg Black alu PC MILK cover	set in foil bag	alu + PC cover + 2x end caps + 3x brackets
<b>AL12-SET01-2m-GLG1-LB-ML</b>	2 m (2010 mm)	Recessed type Black alu PC MILK cover	set in foil bag	alu + PC cover + 2x end caps
<b>AL12-SET01-2m-GLG2-LB-ML</b>	2 m (2010 mm)	Recessed type Black alu PC MILK cover	set in foil bag	alu + PC cover + 2x end caps

## EASY COVER ASSEMBLY

Thanks to the use of a semi-circular cover slot, the installation is trouble-free, and disassembly does not damage the cover.

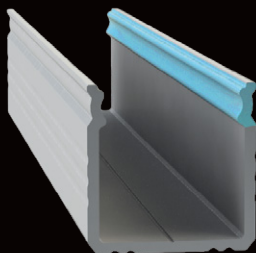
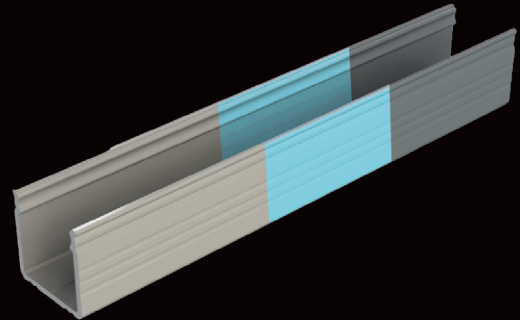


## HEAT DISSIPATION

The ribbed base provides much more efficient heat dissipation than in traditional profiles.

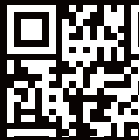
## PAINT

In addition to anodized profiles (silver, inox stainless steel, black), in the case of wholesale orders, it is possible to order powder coated profiles in any color from the RAL palette.



## EVEN MORE LIGHT

The innovative way we have developed of mounting the diffuser ensures maximum use of the space inside the profile. Thanks to this, we have minimised the diffraction phenomenon, leaving the light with significantly more space



# LINE - INTERACTIVE WITH MODIFIED SINE WAVE

## FEATURES

- Topology phase autotrack
- tower case, desktop case
- single-phase input / output, 230 V AC, 50 Hz, PF=0,6
- pure sine wave output - mains supply mode
- modified sine wave output - inverter mode
- automatic voltage regulator - AVR
- Schuko or IEC output sockets



## APPLICATIONS

- low power telecommunication systems
- desktop computers
- CCTV, access control & IDS systems
- devices with switching power supply

MODEL	POWER	VOLTAGE	DIMENSIONS	BACKUP TIME	BATTERIES	SOCKETS
TM-LI-0k6-PC-1x7	600 VA / 360 W	230 VAC	90 × 305 × 165 mm	2 / 5 / 8 / 10 min*	1 × 12 V / 7 Ah	2 × Schuko
TM-LI-0k8-MC-1x9 TM-LI-0k8-MC-1x9-IEC	800 VA / 480 W	230 VAC	95 × 325 × 160 mm	2 / 5 / 8 min*	1 × 12 V / 9 Ah	2 × Schuko 2 × IEC C13
TM-LI-1k2-PC-2x7	1200 VA / 720 W	230 VAC	140 × 347 × 170 mm	2 / 5 / 8 min*	2 × 12 V / 7 Ah	3 × Schuko
TM-LI-2k0-MC-2x9 TM-LI-2k0-MC-2x9-IEC TM-LI-2k0-MC-2x7-IEC	2000 VA / 1200 W	230 VAC	220 × 380 × 125 mm	2 / 5 / 8 min*	2 × 12 V / 9 Ah 2 × 12 V / 9 Ah 2 × 12 V / 2x7Ah	2 × Schuko 2 × IEC C13 2 × IEC C13
TM-LI-3k0-MC-4x9-IEC	3000 VA / 1800 W	230 VAC	157.5 × 452 × 211 mm	2 / 5 / 6 min*	4 × 9 Ah	4 × IEC C13

\* 100%/75%/50%/25% load

MODEL	POWER	VOLTAGE	DIMENSIONS	BACKUP TIME	BATTERIES	SOCKETS
DM1-LI-0k6-PC-1x7	600 VA / 360 W	230 VAC	183 × 275 × 100 mm	2 / 5 / 8 min*	1 × 12 V / 7 Ah	3 × Schuko (UPS mode) 3 × Schuko (surge protection)

\* 100%/75%/50% load

## FEATURES

- internal AGM batteries, cold start
- communication USB port
- topology Line - interactive
- tower plastic case, LCD display
- short - circuit protection
- output PF - 0.6
- boost and BUCK AVR type
- auto - sensing frequency



## APPLICATIONS

- telecommunication systems
- security systems
- office devices

MODEL	POWER	VOLTAGE	DIMENSIONS	BACKUP TIME	BATTERIES	SOCKETS
TM-LI-OfficePRO-600-E2 TM-LI-OfficePRO-600-I4	600 VA / 360 W	230 VAC	90 × 305 × 165 mm	2 / 5 / 8 / 10 min*	1 × 12 V / 7 Ah	2 × Schuko 4 × IEC C13
TM-LI-OfficePRO-1200-E4 TM-LI-OfficePRO-1200-I4	1200 VA / 720 W	230 VAC	115 × 320 × 200 mm	2 / 5 / 8 / 10 min*	2 × 12 V / 7 Ah	4 × Schuko 4 × IEC C13

\* 100%/75%/50%/25% load



# MRC19 19" WALL - MOUNTED CASE



## FEATURES

- internal AGM battery
- line-interactive transfer type
- AVR
- output sockets „schuko” type, and IEC suitable for RACK 19”
- cold start
- LED indicators
- alarm beeper in battery mode
- dedicated PC software application
- indoor use only

## APPLICATIONS

- CCTV
- acces control
- alarm systems



MODEL	POWER	VOLTAGE	DIMENSIONS	BACKUP TIME	BATTERIES	SOCKETS
CCTVups-2U-1200	1200 VA / 720 W	230 VAC	19" × 320 mm × 2U	1 / 5 / 8 min*	2 × 12 V / 7 Ah	1 × Shuko / 2 × IEC C13
CCTVups-2U-2000	2000 VA / 1200 W	230 VAC	19" × 320 mm × 2U	1 / 5 / 8 min*	2 × 12 V / 9 Ah	1 × Shuko / 2 × IEC C13
CCTVups-2U-1200-LCD	2000 VA / 1200 W	230 VAC	19" × 320 mm × 2U	1 / 5 / 8 min*	2 × 12 V / 9 Ah	1 × Shuko / 2 × IEC C13
CCTVups-2U-2000-LCD	2000 VA / 1200 W	230 VAC	19" × 320 mm × 2U	1 / 5 / 8 min*	2 × 12 V / 9 Ah	1 × Shuko / 2 × IEC C13

\* 100%/75%/50%/25% load

# PURE SINE HOME INVERTERS WITH UPS FUNCTION & UPS TO THE LIFTS

## FEATURES

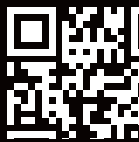
- standalone housing
- pure sine wave output
- automatic voltage regulator - AVR
- PV solar input (AC-priority/PV-priority)
- compatible with AGM, GEL Ead acid and LiFePO4 (600 W / 1000 W) only batteries. PV solar input (AC-priority/PV-priority)

## APPLICATIONS

- desktop computers
- central heating and solar systems
- garage doors, actuators, blinds, CCTV, emergency lighting



MODEL	POWER	VOLTAGE	TPOLOGY	BATTERY	OUTPUT WAVEFORM	SOCKETS
CO-sinusUPS-400W	400 W	230 V / 230 V	line - interactive	External AGM 12 V	Pure sine wave	2 × French
CO-sinusUPS-400W-WM	400 W	230 V / 230 V	line - interactive	External AGM 12 V	Pure sine wave	2 × French
CO-sinusUPS-600W-LCD	600 W	230 V / 230 V	line - interactive	External AGM 12 V	Pure sine wave	2 × French
CO-sinusUPS-1000W/12V-LCD	1000 W	230 V / 230 V	line - interactive	External AGM 12 V	Pure sine wave	2 × French
CO-sinusUPS-400W-F2	400 W	230 V / 230 V	line - interactive	External AGM 12 V	Pure sine wave	2 × Schucko
CO-sinusUPS-400W-WM-F2	400 W	230 V / 230 V	line - interactive	External AGM 12 V	Pure sine wave	2 × Schucko
CO-sinusUPS-600W-LCD-F2	600 W	230 V / 230 V	line - interactive	External AGM 12 V	Pure sine wave	2 × Schucko
CO-sinusUPS-1000W/12V-LCD-F2	1000 W	230 V / 230 V	line - interactive	External AGM 12 V	Pure sine wave	2 × Schucko
PV-sinusUPS-600W-F2	600 W	230 V / 230 V	line - interactive	External AGM 12 V	Pure sine wave	2 × Schucko PV solar input
PV-sinusUPS-1000W/12V-LCD-F2	1000 W	230 V / 230 V	line - interactive	External AGM 12 V	Pure sine wave	2 × Schucko PV solar input



# PURE SINE HOME INVERTERS WITH UPS FUNCTION & UPS TO THE LIFTS

## FEATURES

- standalone housing or standalone
- pure sine wave output
- synchronize the output voltage to the mains
- work with plenty battery types
- cooperation with resistive, inductive, capacitive loads



## APPLICATIONS

- home appliance
- central heating and hot water systems
- garage doors, actuators, blinds

MODEL	POWER	VOLTAGE	DIMENSIONS	CHARGER	SOCKETS
IPS300-SIN-WM IPS300-SIN-WM-F2	300 VA / 300 W	230 VAC	400 × 210 × 127 mm	12 V, 1 A - 15 A	2 × French 2 × Schuko
IPS600-SIN-WM IPS600-SIN-WM-F2	600 VA / 600 W	230 VAC	490 × 290 × 195 mm	12 V, 1 A - 30 A	2 × French 2 × Schuko

## FEATURES

- standalone housing
- pure sine wave output
- automatic voltage regulator - AVR
- work with plenty battery types, interactive menu (14 function available)
- additional input DC +5V +12V +24V, possibility of cooperation with PV panel (IPS300-SIN-DC)



## APPLICATIONS

- desktop computers
- central heating and solar systems
- garage doors, actuators, blinds, CCTV, emergency lighting

MODEL	POWER	VOLTAGE	DIMENSIONS	CHARGER	SOCKETS
IPS1000-SIN	1000 VA / 1000 W	230 VAC	293 × 280 × 160 mm	12 V, 1A - 40 A	2 × French
IPS1600-SIN	1600 VA / 1600 W	230 VAC	293 × 497 × 209 mm	24 V, 1A - 40 A	2 × French
IPS2500-SIN-WM	2500 VA / 2500 W	230 VAC	293 × 497 × 209 mm	24 V, 1 A - 50 A	Screw terminal
IPS3500-SIN-WM	3500 VA / 3600 W	230 VAC	293 × 497 × 209 mm	24 V, 1 A - 60 A	Screw terminal

## FEATURES

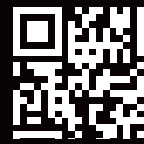
- dedicated for LIFT system cabinets
- intelligents battery management
- LED or LCD function display
- cold start
- protections and auto-recovery

## APPLICATIONS

- lift & elevator system cabinets



MODEL	RATED POWER	VOLTAGE	TYPOLGY	BATTERY	SOCKETS
LiftUPS-1k5-3LED	1k5 / 900 W	230 VAC	line-interactive	External 5 × 12V/5 - 9Ah	Screw terminal
LiftUPS-1k5-6LED	1k5 / 900 W	230 VAC	line-interactive	External 5 × 12V/5 - 9Ah	Screw terminal
LiftUPS-1k5-LCD	1k5 / 900 W	230 VAC	line-interactive	External 5 × 12V/5 - 9Ah	Screw terminal



# LINE - INTERACTIVE WITH PURE SINE WAVE

## FEATURES

- built-in AGM batteries, cold start
- tower case
- single-phase input / output, 230 V AC, 50 Hz, PF = 0,8
- pure sine wave output - mains supply mode
- pure sine wave output - inverter mode
- automatic voltage regulator - AVR
- IEC C13 output sockets
- communication USB port
- possibility of connecting multiple battery packs
- SNMP and dry contact card option (not in standard)



## APPLICATIONS

- low power telecommunication systems
- desktop computers
- CCTV, access control & IDS systems
- devices with switching power supply
- motor drives

MODEL	POWER	VOLTAGE	DIMENSIONS	BACKUP TIME	BATTERIES	SOCKETS
TS1-LI-1k0-MC-LCD-2x7	1000 VA / 800 W	230 VAC	144 × 246.5 × 215 mm	2 / 4 / 7 min*	2 × 12 V / 7 Ah	3 × IEC C13
TS1-LI-2k0-MC-LCD-3x9	2000 VA / 1600 W	230 VAC	144 × 411.5 × 215 mm	2 / 4 / 7 min*	3 × 12 V / 9 Ah	3 × IEC C13
TS1-LI-3k0-MC-LCD-4x9	3000 VA / 2400 W	230 VAC	320 × 592 × 462 mm	2 / 4 / 7 min*	4 × 12 V / 9 Ah	6 × IEC C13
TS1-LI-1k0-MC-BC24	1000 VA / 800 W	230 VAC	144 × 246.5 × 215 mm	-	24 V / 1 - 15 A charger	2 × schucko, 1x IEC C13
TS1-LI-2k0-MC-BC48	2000 VA / 1600 W	230 VAC	144 × 411.5 × 215 mm	-	48 V / 1 - 20 A charger	2 × Schucko 1x IEC C13
TS1-LI-3k0-MC-BC48	3000 VA / 2400 W	230 VAC	320 × 592 × 462 mm	-	48 V / 1 - 25 A charger	2 × Schucko 1x IEC C13

## FEATURES

- built-in AGM batteries, cold start
- RACK 19" (2U or 3U height) or tower
- single-phase input / output, 230 V AC, 50 Hz, PF = 0,8
- pure sine wave output - mains supply mode
- pure sine wave output - inverter mode
- automatic voltage regulator - AVR
- IEC C13 output sockets and SCHUCKO
- USB port
- possibility of connecting multiple battery packs
- SNMP and dry contact card option (not in standard)



## APPLICATIONS

- medium and high power telecommunication systems
- desktop computers
- CCTV, access control & IDS systems
- devices with switching power supply
- motor drives
- data processing systems

MODEL	POWER	VOLTAGE	DIMENSIONS	BACKUP TIME	BATTERIES	SOCKETS
RTS-LI-1k0-2U-LCD-2x7	1000 VA / 800 W	230 VAC	440 × 330 × 88 mm	2 / 4 / 7 min*	2 × 12 V / 7 Ah	1 × IECC13 1 × SCHUCKO
RTS-LI-1k5-3U-LCD-2x9	1500 VA / 1200 W	230 VAC	440 × 410 × 132 mm	2 / 4 / 7 min*	2 × 12 V / 9 Ah	3 × IECC13 3 × SCHUCKO
RTS-LI-2k0-3U-LCD-3x9	2000 VA / 1600 W	230 VAC	440 × 410 × 132 mm	2 / 4 / 7 min*	3 × 12 V / 9 Ah	3 × IECC13 3 × SCHUCKO
RTS-LI-3k0-3U-LCD-4x9	3000 VA / 2400 W	230 VAC	440 × 410 × 132 mm	2 / 4 / 7 min*	4 × 12 V / 9 Ah	3 × IECC13 3 × SCHUCKO

\* 100%/75%/50% load

# MRC19 19" WALL - MOUNTED CASE

## FEATURES

- wall mounted
- opening side door
- active and passive ventilation
- 3 independent keys

## MOUNTAGE TYPE

- mounting brackets
- holes in frame



MODEL	STANDARD	COLOR	FRONT DOOR	WIDTH	DEPTH	HIGHT
MRC19-WM-4U-D4	19"	Black	Glass	600 mm	D4 = 450 mm D6 = 600 mm D8 = 800 mm	4U
MRC19-WM-6U-D4 / MRC19-WM-6U-D6						6U
MRC19-WM-9U-D4 / MRC19-WM-9U-D6						9U
MRC19-WM-12U-D6						12U
MRC19-WM-15U-D6 / MRC19-WM-15U-D8						15U

MODEL	STANDARD	COLOR	FRONT DOOR	WIDTH	DEPTH	HIGHT	ADDITIONAL FUNCTION
MRC19-ST-12U-D6	19"	Black	Glass	600 mm	600 mm	12U	Standalone model

# BATTERIES

## FEATURES

- VRLA AGM technology
- design life of 6 - 9 years
- ideal for buffer work, dedicated to work in UPS
- standard dimensions, connector width of 6.3 mm
- working at 20 - 25° C



MODEL	VOLTAGE	CAPACITY	LIFETIME	DIMENSIONS	WEIGHT	TERMINAL TYPE
IPS 1.3-12	12 V	1.3 Ah	6 - 9 years	98 × 43 × 58 mm	0.56 kg	Faston 4.8 mm (T1)
IPS 2.3-12	12 V	2.3 Ah	6 - 9 years	177 × 35 × 67 mm	0.88 kg	Faston 4.8 mm (T1)
IPS 3.4-12	12 V	3.4 Ah	6 - 9 years	135 × 67 × 66 mm	1.28 kg	Faston 4.8 mm (T1)
IPS 5-12 IPS 5-12L	12 V	5 Ah	6 - 9 years	90 × 70 × 106 mm	2.10 kg	Faston 4.8 mm (T1) Faston 250 (T2)
IPS 7.2-12 IPS 7.2-12L	12 V	7.2 Ah	6 - 9 years	151 × 65 × 100 mm	2.45 kg	Faston 4.8 mm (T1) Faston 250 (T2)
IPS 9-12L	12 V	9 Ah	6 - 9 years	151 × 65 × 100 mm	2.5 kg	Faston 250 (T2)
IPSH 9-12L	12 V	9 Ah 290 W / 10 min	6 - 9 years	151 × 65 × 100 mm	2.75 kg	Faston 250 (T2)
IPS 12-12L	12 V	12 Ah	6 - 9 years	151 × 98 × 100 mm	3.90 kg	Faston 250 (T2)
IPS 18-12	12 V	18 Ah	6 - 9 years	181 × 76 × 167 mm	5.65 kg	Female thread M5
IPS 20-12	12 V	20 Ah	6 - 9 years	181 × 77 × 167 mm	5.5 kg	Female thread M5
IPS 26-12	12 V	26 Ah	6 - 9 years	166 × 175 × 125 mm	8.40 kg	Female thread M5
IPS 28-12h	12 V	28 Ah	6 - 9 years	166 × 125.5 × 176 mm	9.30 kg	Female thread M5
IPS 40-12	12 V	40 Ah	6 - 9 years	198 × 168 × 171 mm	13.30 kg	Female thread M6
IPS 45-12	12 V	45 Ah	6 - 9 years	198 × 166 × 171 mm	14 kg	Female thread M6

# BATTERY BALANCERS

MODEL	VOLTAGE	CURRENT	FOR BATTERIES	DIMENSIONS	WEIGHT	OPERATING STATUS
IPS-BB-24-LED	24 V	< 5 A	VRLA: AGM, GEL	78 × 78 × 28 mm	0.22 kg	LED
IPS-BB-48	48 V	< 10 A	VRLA: AGM, GEL, NiCD, NiMh, LFP	69 × 129 × 29 mm	0.31 kg	-

# HEATING FILMS IPS IR



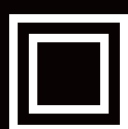
## Features:

- Quick installation and can be used immediately
- Extremely long life calculated at over 80 years with a warranty of 30 years
- Environmentally friendly, no noise, no dust and no pollution
- Highly efficient up to 98% efficiency
- Floor heating products save space
- Limited thermal convection also reduces the movement of allergens and dust mites in the air
- Remote control with WiFi thermostat
- Easily control the temperature as needed



IPS IR 140 and IPS IR 240 film is an infrared heating system, based on modern graphene technology. The films are characterized by high strength, low resistivity and excellent conduction of heat and electricity. Thanks to its design, the IPS IR system is able to convert electricity through infrared rays into heat. The entire plane covered with foil efficiently transmits the rays, which are absorbed by the floor, walls, furniture. Followingly heat energy is given off reaching our bodies from all sides.

Thanks to the use of a large area of radiation, IPS IR film is more efficient than spot heating techniques. The possibility of installing the IPS IR system under concrete floor, directly under floor panels or as heating walls or a heating ceiling, opens up many solutions that are not possible with traditional heating methods.



Model	IRH-FLC-140W 100 m	IRH-FLC-240W 100 m
Voltage	230 V	230 V
Max. power per m <sup>2</sup>	140 W	240 W
Film width	50 cm	50 cm
Quantity in roll	100 mb	100 mb
Installation	Floor under the panel	Floor under concrete, ceiling, wall



 Power supplies and power systems	 Batteries and battery packs	 Cable harness	 LED lighting / LED power systems	 ODM and OEM project
 Cooperation with recognised brands	 3000m <sup>2</sup> warehouse in Poland	 Production facility in the company 50 people and in the group more than 200	 17 years on the market in 23 countries	 Attractive prices, short lead times and elasticity of order processing



DESIGN



PRODUCTION



SALE

[www.mpltronik.pl](http://www.mpltronik.pl)

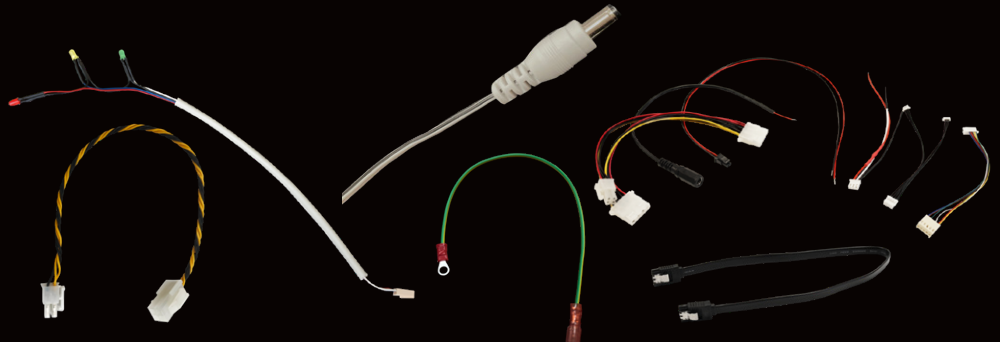


## BATTERY PACKS



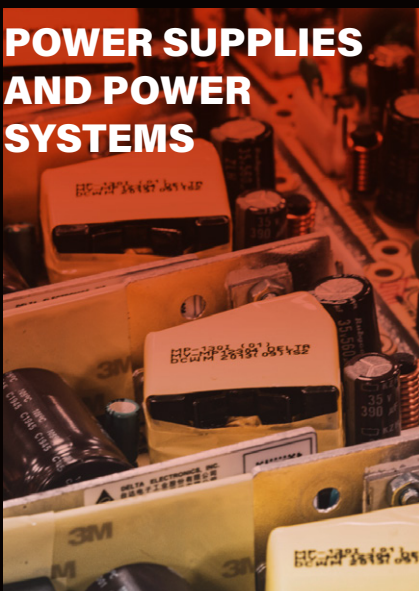
We design and manufacture battery packs where are used rechargeable cells in technologies: Ni-Cd, Ni-MH, Li-ion, LiFePO<sub>4</sub> and LiPO. We offer cells of our own import as well as those of global brands. The design process takes into account individual requirements for cells, PCM/BMS modules and operating conditions ensuring compliance with required pack parameters. The manufacturing process includes forming and selection of the cells in each pack. The cells are then combined together to achieve the required capacity and shape of the pack.

## CABLE HARNESS



We're equipped with high pressure injection mold machine and manufacture power and data transmission cable harnesses. These are designed according to customer specification and then samples are made to check that the workmanship and compliance with requirements. Thanks to our access to a broad product base of wires, connectors, terminals and connectors, we are able to offer the product made on components from specification as well as on replacement components. This allows the customers to choose the option that meets their requirements and competitive price.

## POWER SUPPLIES AND POWER SYSTEMS



In design and manufacturing process we use our own power supply modules which ensures cost efficiency.

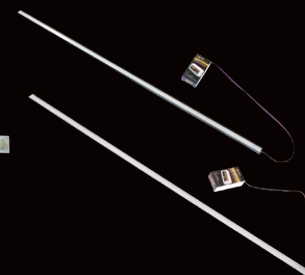
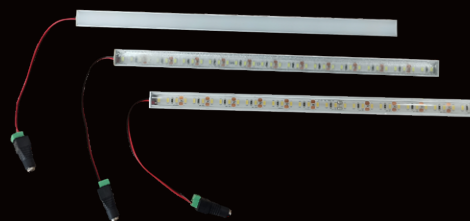
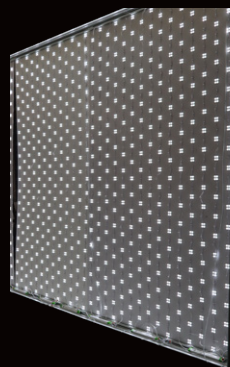
We design electric circuits, PCB, mechanical parts and program microcontrollers

•We prepare prototypes as well as technical and manufacturing documentation. Mainly we deal with:

- Design custom and dedicated additional systems of power supplies for instance alarm signals
- Design additional modules of power supplies for instance back-up battery modules
- Parameters customization for specific customer requirements and implementation of additional equipment power supplies integrated in final product for instance output voltage adjustment, modification of overcurrent protection, add or change wiring, assembly of additional mechanical parts.



## SYSTEMS LED LIGHTING LED POWER SUPPLY



In design and manufacturing process we use our own mechanical components (LED profiles and covers) and light sources (LED strips, LED modules) which ensures cost efficiency.

Mainly we deal with:

- Design Led lighting systems by applying modifications of standard products for required led strip and LED profile length, wiring, connectors and supply.
- Design backlight systems made on LED modules for instance backlit advertising board, 3D letters and signs, lighboxes, pylons equipped with supply.

## STANDARD PRODUCTS



Industrial power supplies



LED drivers, LED power supplies



VRLA AGM, lead-carbon, GEL batteries

**Our products are used and have gained recognition in areas such as:**

- LED lighting
- robotics
- cash registers
- medical equipment
- transportation
- home and industrial automation
- telecommunications
- emergency lighting
- LED screens/tables
- photovoltaics





Our best intention is to provide the highest quality of services, we care about our clients satisfaction. We always try to keep best manufacturing standards. This is why our products are designed, tested and manufactured according to applicable standards.

## OUR APPARATUS

- Welding machine
- Wire cutting and stripping machine
- Crimping machine
- Cell charging and discharging machine
- High pressure injection mold machine

## OUR MEASURING INSTRUMENTS

- Multichannel laboratory battery tester
- Climatic chamber
- Infrared Camera
- Electronic AC and DC load
- EMC measurement station
- Power supply and battery measurement station
- Light sources measurement station.



# Why is it worth choosing us?

---



**NEW  
POSSIBILITIES**



**10,000  
STORAGE SPACES**



**BEST BUSINESS  
CONDITIONS**



**LONG-TERM  
COOPERATION**

# WE OFFER AS WELL:

---



Photovoltaic



Air-conditioning



Batteries



Batteries



Emergency power systems



LED power supplies

[www.mplgroup.pl](http://www.mplgroup.pl)



---

***Group headquarters***

st. Handlowa 13, 41-807 Zabrze  
phone: +48 32 44 00 950

***The main warehouses***

st. Handlowa 13, 41-807 Zabrze  
st. Poligonowa 21, 44-251 Rybnik

**NOTICE**

This catalogue is for marketing purposes only. Every effort is made to ensure that the information and specifications contained in this catalogue are accurate, but we are unable to ensure that this catalogue will be up to date after its release ( i.e. November 2022).

You can find continuously updated catalogues on our website at [www.mplgroup.pl](http://www.mplgroup.pl), on the QR codes on the front of the catalogue or by contacting our team.

The brochure and all information contained therein, in particular trademarks, graphic compositions and colours, are the property of MPL Group and are protected by law. Copying or other use, as well as arranging one's own offer similar to that presented in the brochure, is an act of unfair competition according to articles 10 and 13 of the Act on Combating Unfair Competition.

Presented photos are for illustrative purposes only. Due to the technique and conditions of taking pictures, the actual appearance of products may differ from the one presented in the catalogue.