

## Product Features

- Input voltage range: 90~305Vac;
- Class II design;
- Constant power design, outputs programmable;
- Built-in 3-in-1 dimming and auto-react: 0-10Vdc, PWM, timer control;
- DALI control is optional, can be dim-to-off;
- 12V/0.3A auxiliary power supply is optional;
- Output is isolated with dimming signal;
- Stand-by power consumption <0.5W;
- Multiple protection: SCP / OVP/OTP;
- Surge protection: line-line 5KV;
- Ambient temperature: -40°C ~ +60°C;
- Degrees of protection: IP67;
- 5 years warranty.



## Application

- Suitable for LED architecture lighting, industrial lighting, flood lighting, and roadway lighting, etc.

## DESCRIPTION

The GLCP-200 series is designed for European market where has higher safety requirement, suitable for Class II application, programmable outdoor LED driver that operates from 90-305Vac input with excellent power factor. Created for high bay, tunnel and roadway lights, it provides a dim-to-off mode with low standby power. The high efficiency of these drivers and compact metal case enables them to run cooler, significantly improving reliability and extending product life. To ensure trouble-free operation, protection is provided against input surge, output over voltage, short circuit, and over temperature.

## MODELS

Model Number [1]	Max Output Power (W)	Output Voltage Range (Vdc)	Output Current Adjustable Range (A)	Full Power Current Adjustable Range (A) [2]	Default Output Setting	Typ. Effi. [3]	Typ. PF
GLCP-200X041Z	200	20~41	0.70~7.00	4.88~7.00	20~36V/5.56A	90%	0.96
GLCP-200X062Z	200	20~62	0.50~5.00	3.23~5.00	20~48V/4.17A	90%	0.96
GLCP-200X445Z	200	230~445	0.07~0.70	0.45~0.70	230~286V/0.70A	91%	0.96

## Notes:

[1]. X=M, programable output with 0-10V/PWM/Timing dimming ; X=R, programable output with timing dimming ; X=D, dali dimming; Z=A12,output with 12V/0.3A auxiliary power supply;

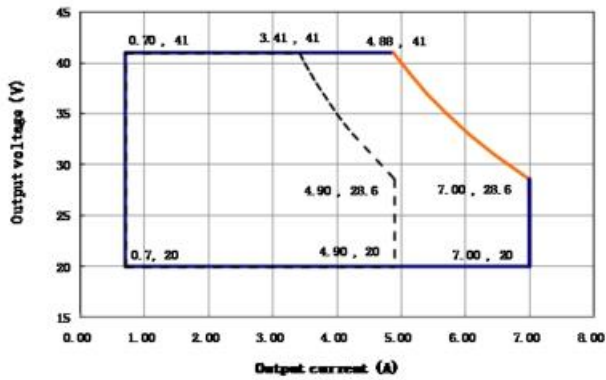
[2]. Output current adjustable range with constant power at max output power;

[3]. All specifications are measured at 25°C ambient temperature, if no specific note.

**OPERATING AREA I-V**

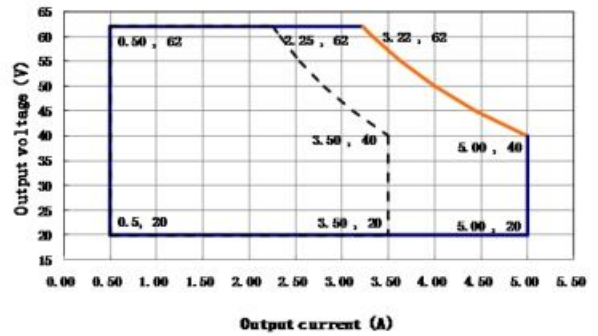
**GLCP-200X041Z**

Maximum Output Voltage vs. Output Current



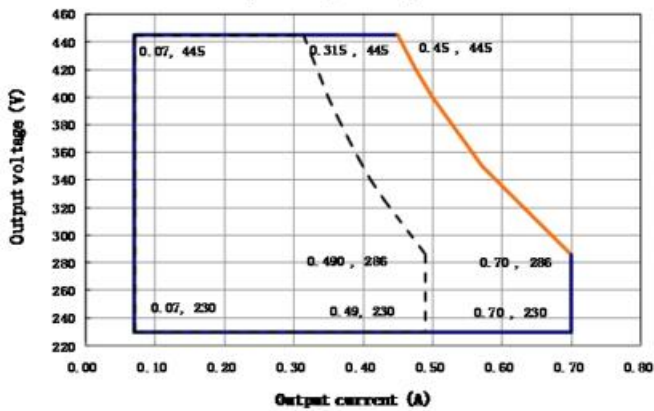
**GLCP-200X062Z**

Maximum Output Voltage vs. Output Current



**GLCP-200X445Z**

Maximum Output Voltage vs. Output Current



Note: 140W is suitable for the dotted line on the left side area; 120W is suitable for the solid line contain area.

**INPUT SPECIFICATIONS**

Parameter	Min.	Typ.	Max.	Notes
Input Voltage	90Vac	100-277Vac	305Vac	
Input Frequency	47Hz	50/60	63Hz	
Leakage Current	-	-	0.70mA	277V/50Hz
Input AC Current	-	-	2.0A max	100-277Vac & full load
Inrush Current(A)	-	-	75A	Cold start, 230Vac & full load
Power Factor	0.95	0.96	-	230Vac & full load
THD	-	-	15%	230Vac, 70%-100% load
	-	-	20%	277Vac, 70%-100% load

**OUTPUT SPECIFICATIONS**

Parameter	Min.	Typ.	Max.	Notes
Rated Power	-	-	200W	200-277Vac
	-	-	140W	100-200Vac
Output Current Tolerance	-5%Iset	-	5%Iset	Full load
Output Current Setting Range (Iset) GLCP-200X041Z GLCP-200X062Z GLCP-200X445Z	0.70A 0.50A 0.07A	-	7.00A 5.00A 0.70A	200-277Vac
Output Current Setting Range with Constant Power GLCP-200X041Z GLCP-200X062Z GLCP-200X445Z	4.88A 3.23A 0.45A	-	7.00A 5.00A 0.70A	200-277Vac
Total Output Current Ripple (pk-pk)	-	-	10%	Load is LED, ripple is different with difference LED load. 20MHz BW.
Startup Overshoot Current		-	10%	230Vac & 100% Load, load is LED
No Load Output Voltage GLCP-200X041Z GLCP-200X062Z GLCP-200X445Z	-	-	52V 77V 490V	
Line Regulation	-	-	1%	25°C±10°C ambient temperature, input voltage changes from 115Vac to 305VAC

Load Regulation	-	-	3%	25°C±10°C ambient temperature, 230Vac input, load changes from 50% to 100%.
Turn-on Delay Time	-	-	3S	115Vac, 100% load
	-	-	0.5S	230Vac, 100% load
12V auxiliary output voltage	11.4V	12V	12.6V	
12V auxiliary output source current	0mA		300mA	

**GENERAL SPECIFICATIONS**

Parameter	Min.	Typ.	Max.	Notes
Efficiency @115Vac LCP-200X041Z I <sub>o</sub> =4.90A LCP- 200X062Z I <sub>o</sub> =3.50A LCP-	86.5% 87.5% 89%	88.5% 89.5% 91%		Measured at full load and 25°C ambient temperature
Efficiency @230Vac GLCP-200X041Z I <sub>o</sub> =4.88A I <sub>o</sub> =7.00A GLCP-200X062Z I <sub>o</sub> =3.23A I <sub>o</sub> =5.00A GLCP-200X445Z I <sub>o</sub> =0.45A I <sub>o</sub> =0.70A	89% 88% 91% 90% 90% 90%	91% 90% 93% 92% 92.7% 92.8%		Measured at full load and 25°C ambient temperature
Efficiency @277Vac GLCP-200X041Z I <sub>o</sub> =4.88A I <sub>o</sub> =7.00A GLCP-200X062Z I <sub>o</sub> =3.23A I <sub>o</sub> =5.00A GLCP-200X445Z I <sub>o</sub> =0.45A I <sub>o</sub> =0.70A	89% 88% 91% 90% 90% 90%	91% 90% 93% 92% 92.7% 92.8%		Measured at full load and 25°C ambient temperature
Standby power consumption	-	-	0.5W	230Vac/50Hz; Dimming off
MTBF	-	200000 Hours	-	230Vac, 80% load (MIL-HDBK-217F)
Lifetime	-	50000 Hours	-	230Vac & 100% load, 70°C case temperature, refer to lifetime VS T <sub>c</sub> curve for details
Operating Case Temperature for Safety T <sub>c_s</sub>	-40°C	-	+85°C	
Operating Case Temperature for Warranty T <sub>c_w</sub>	-40°C	-	+70°C	

Storage Temperature	-40°C	-	+85°C	Humidity: 10% to 95% RH
Dimensions (L×W×H)mm	247*68*43.5			
Net Weight	1300±100g			
Package	L500×W390×H170mm; 10pcs/Ctn			

## DIMMING

Parameter		Min.	Typ.	Max.	Notes
0~5V/0~10V Absolute Maximum Voltage on the Vdim (+) Pin		-	5V/10V	-	
0~5V/0~10V Source Current on Vdim(+)Pin		-	-	2mA	
Dimming Output Range	GLCP-200X041Z GLCP-200X062Z GLCP-200X445Z	10%Imax	-	100%Imax	Imax=7.00A Imax=5.00A Imax=0.70A
	GLCP-200X041Z	0.70A	-	7.00A	
	GLCP-200X062Z GLCP-200X445Z	0.50A 0.07A	-	5.00A 0.70A	
DA, DA High Level		9.5 V	16 V	22.5 V	
DA, DA Low Level		-6.5 V	0 V	6.5 V	
Recommended Dimming Range for 0-5 V		0V	-	5V	
Recommended Dimming Range for 0-10 V		0V	-	10V	Default 0-10V/10V PWM Dimming
PWM_in High Level		9.7V	-	10.3V	
PWM_in Low Level		0V	-	0.3V	
PWM_in Frequency Range		250Hz	-	1000Hz	
PWM_in Duty Cycle		1%	-	99%	

## SAFETY STANDARDS

Safety Category	Country / Territory	Standards
CCC	China	GB19510.1
		GB19510.14
CE	Europe	EN61347-1
		EN61347-2-13
CB	CB Countries	IEC61347-1
		IEC61347-2-13
UL	USA	UL 8750
		UL 1310 ( Class 2 Power Units )
		UL 1012
cUL	Canada	CSA C22.2 No.250.13-12
		CSA C22.2 No.223-M91 ( Power Supplies With Extra-Low-Voltage Class 2 Output )

KC	South Korea	K61347-1
		K61347-2-13
		K62384
PSE	Japan	J61347-1
		J61347-2-13
SAA	Australia	AS/NZS IEC 61347-2-13
		AS/NZS 61347.1

**EMC COMPLIANCE**

EMC Category	Country / Territory	Standards
CCC	China	GB 17743
		GB 17625.1
CE	Europe	EN 55015
		EN 61000-3-2
		EN 61000-3-3
		EN 61547
KC	South Korea	K61547
		K00015
PSE	Japan	J55015
FCC	USA	FCC part 15

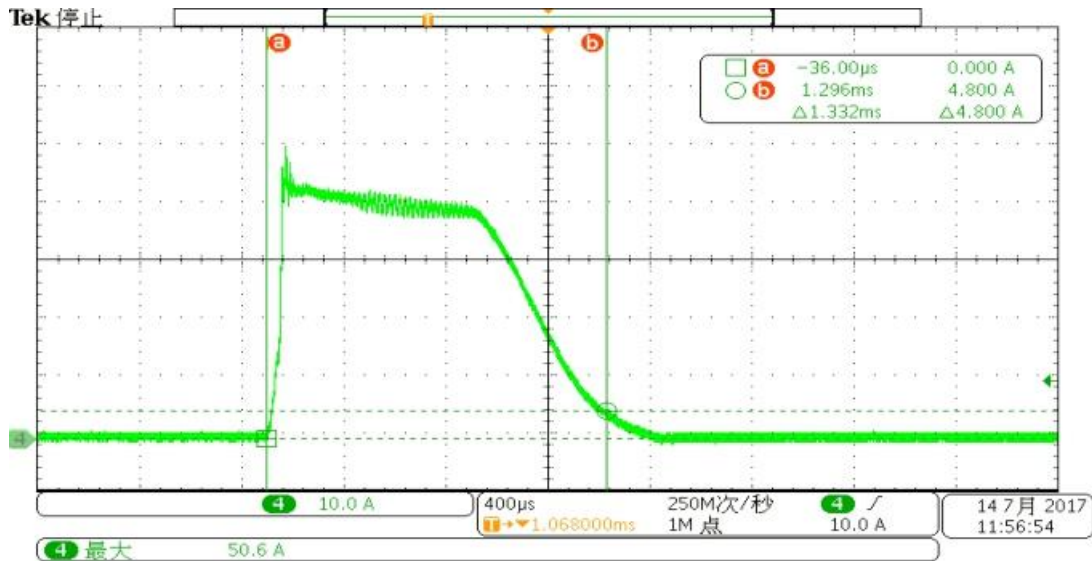
**NOTE:**

This LED driver meets the EMI specifications above, but EMI performance of a luminaire that contains it depends also on the other devices connected to the driver and on the fixture itself.

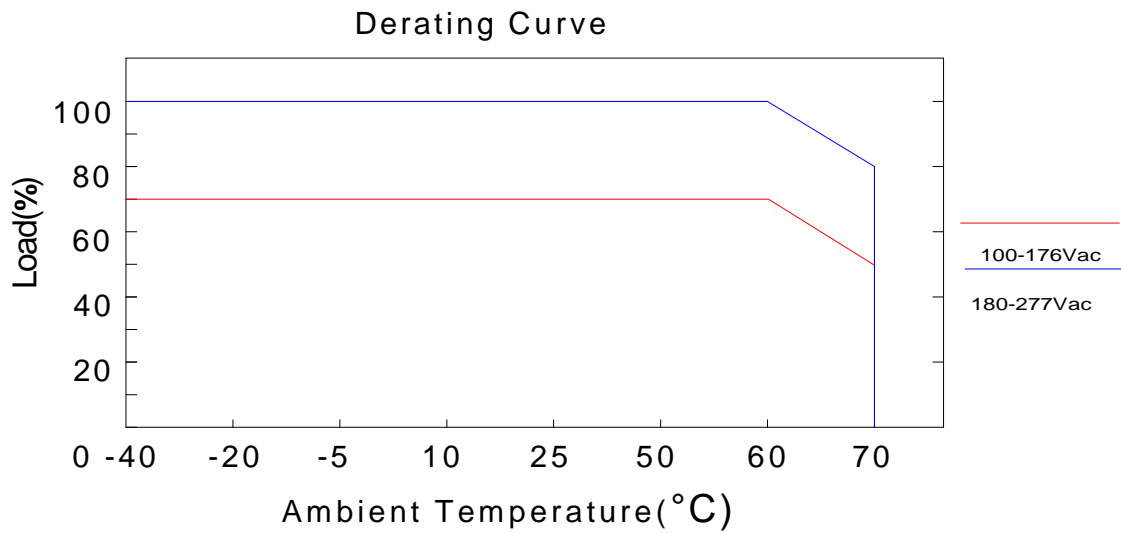
**DALI STANDARDS**

IEC 62386 -101, 102, 207.

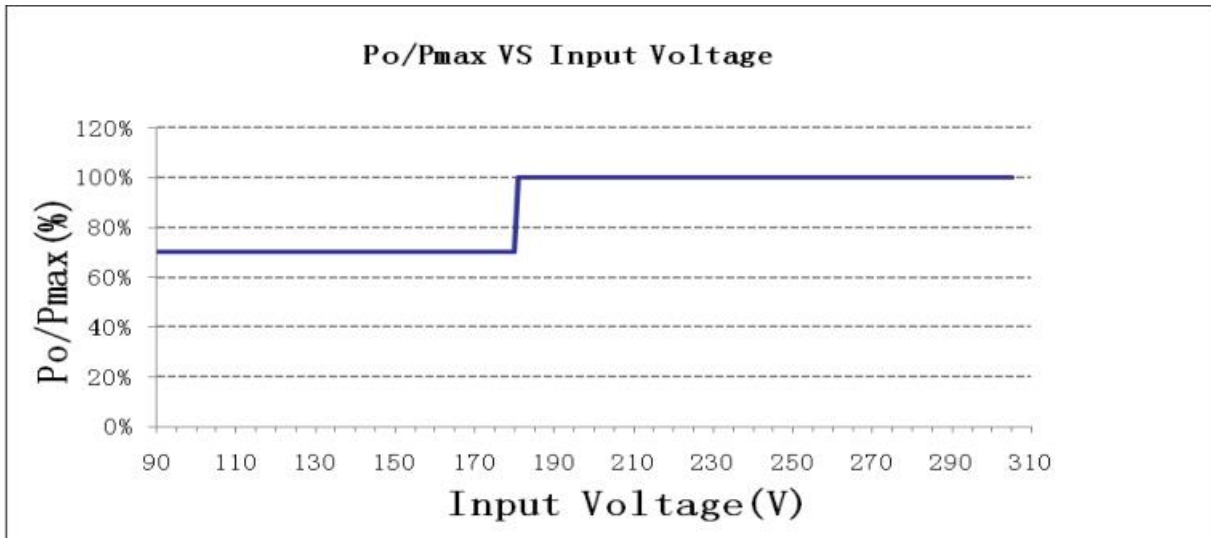
**INRUSH CURRENT WAVEFORM**



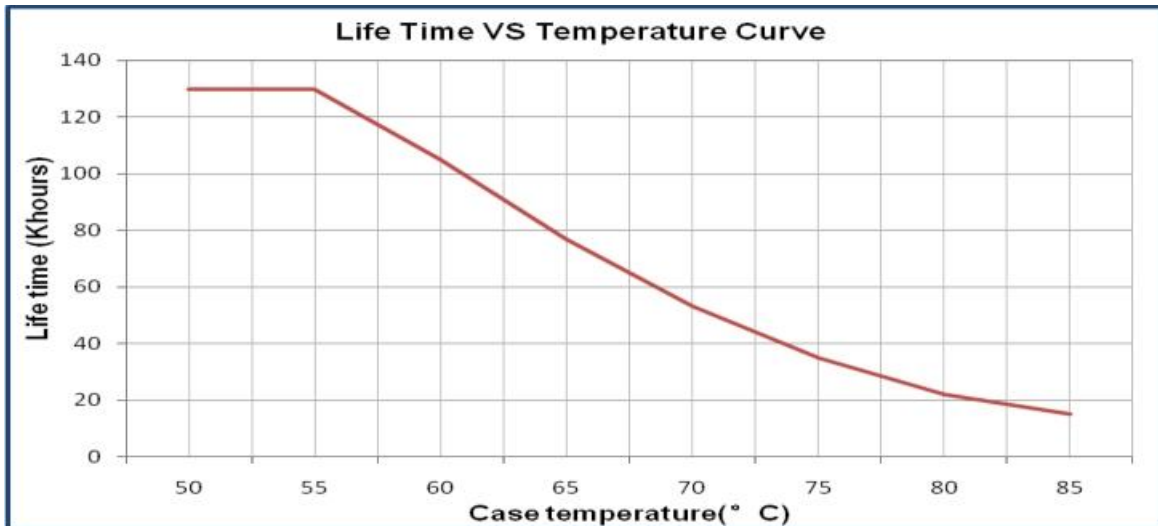
**DERATING CURVE**



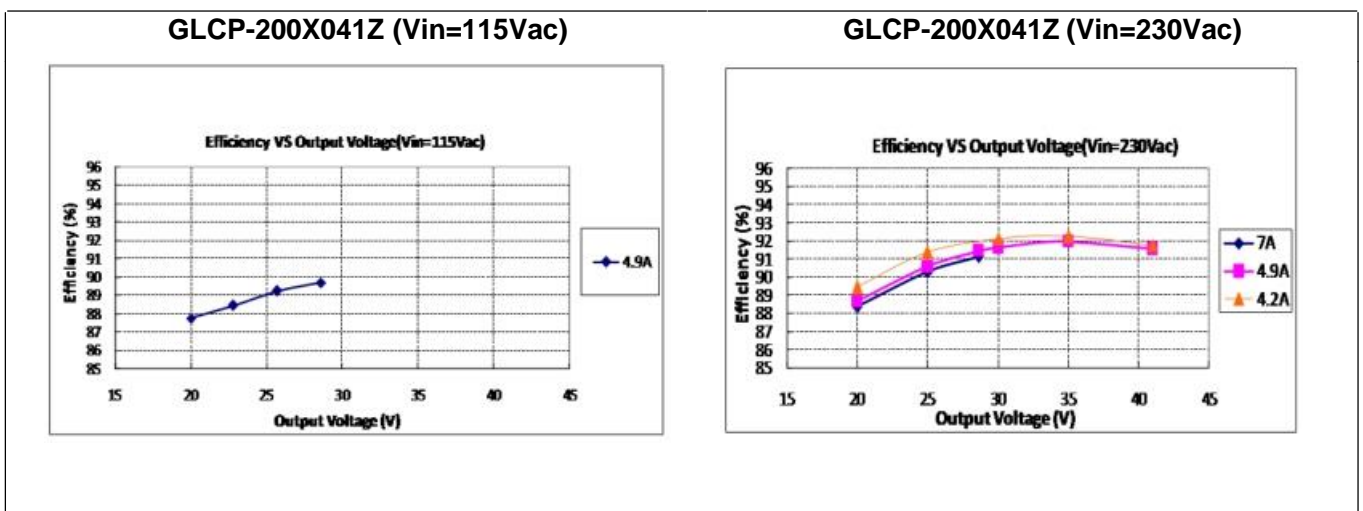
**OUTPUT POWER VS INPUT VOLTAGE**



**LIFETIME VS CASE TEMPERATURE**

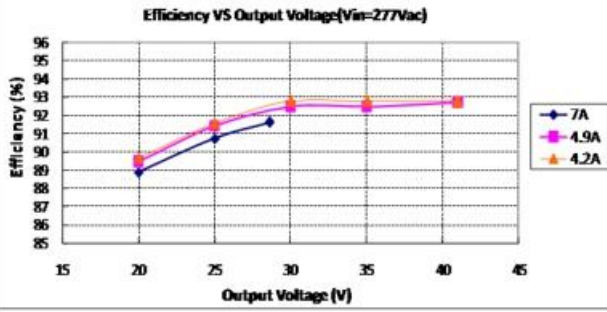


**EFFICIENCY VS LOAD**

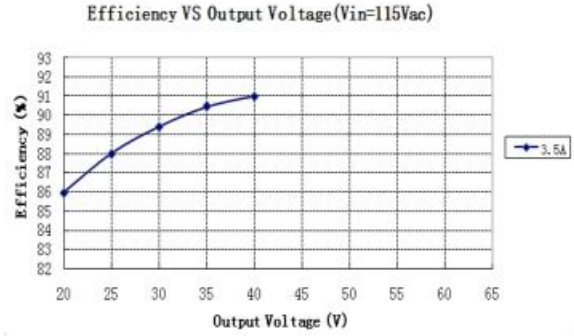




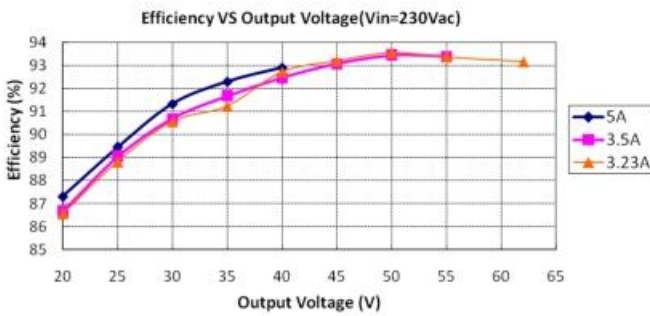
**GLCP-200X041Z (Vin=277Vac)**



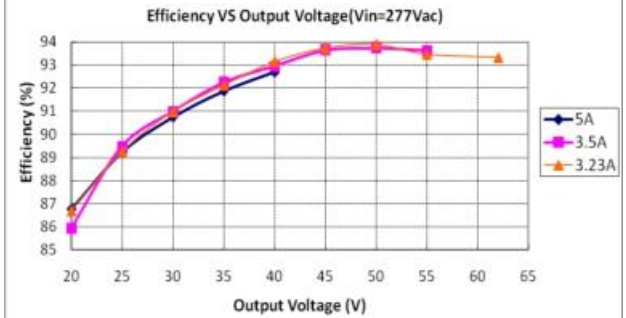
**GLCP-200X062Z (Vin=115Vac)**



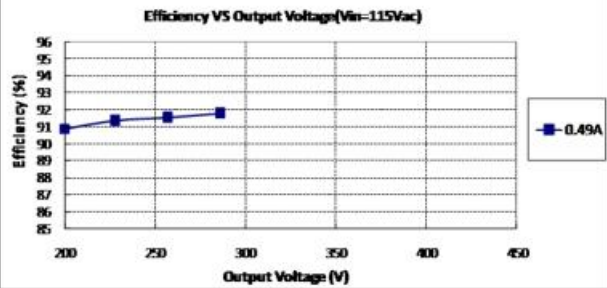
**GLCP-200X062Z (Vin=230Vac)**



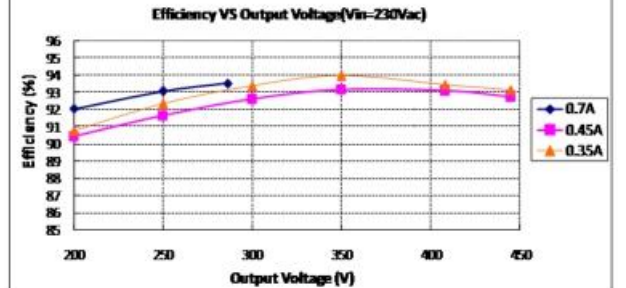
**GLCP-200X062Z (Vin=277Vac)**



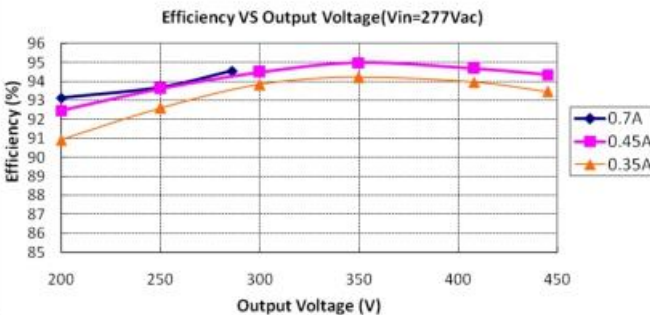
**GLCP-200X445Z (Vin=115Vac)**



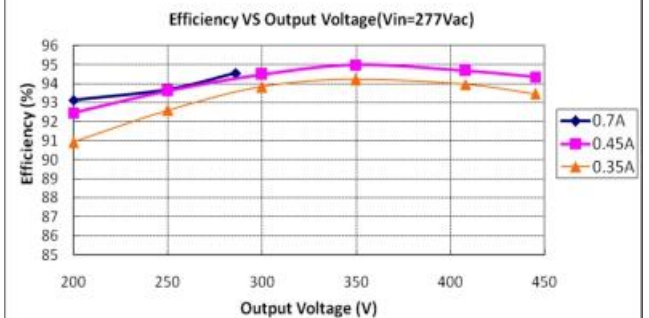
**GLCP-200X445Z (Vin=230Vac)**



**GLCP-200X445Z (Vin=277Vac)**

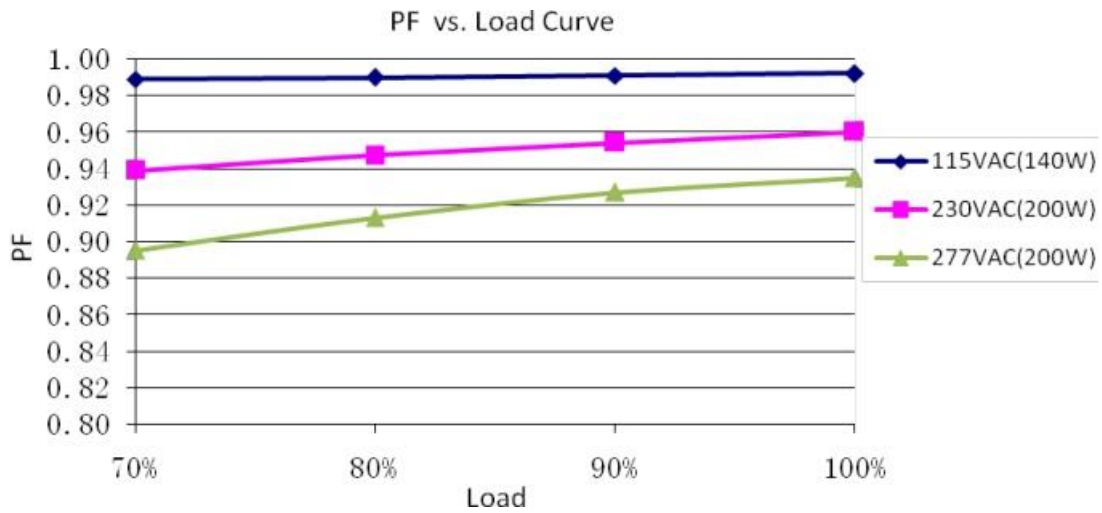


**GLCP-200X445Z (Vin=277Vac)**

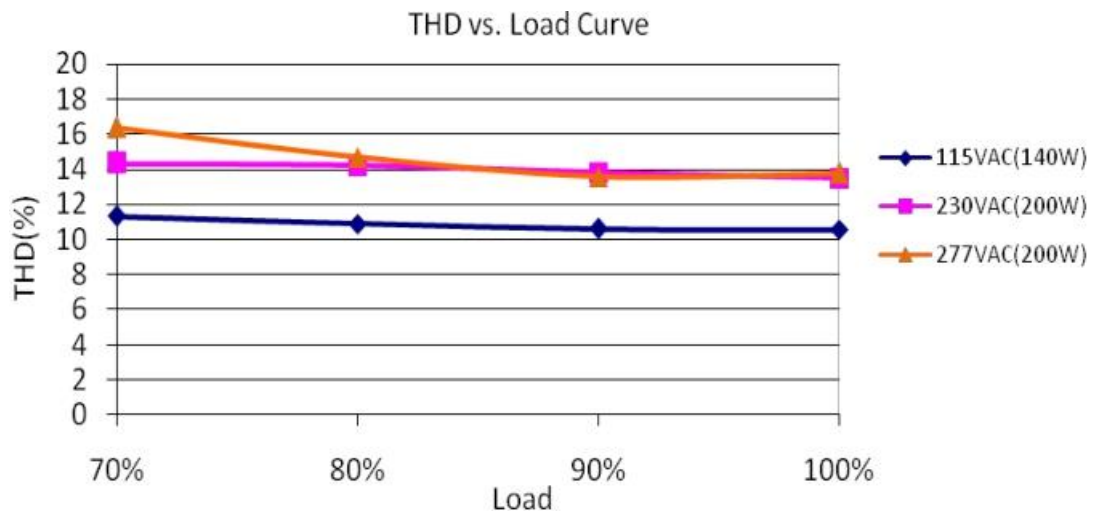


Note: 140W is suitable for the dotted line on the left side area; 240W is suitable for the solid line contain area.

**POWER FACTOR VS LOAD**



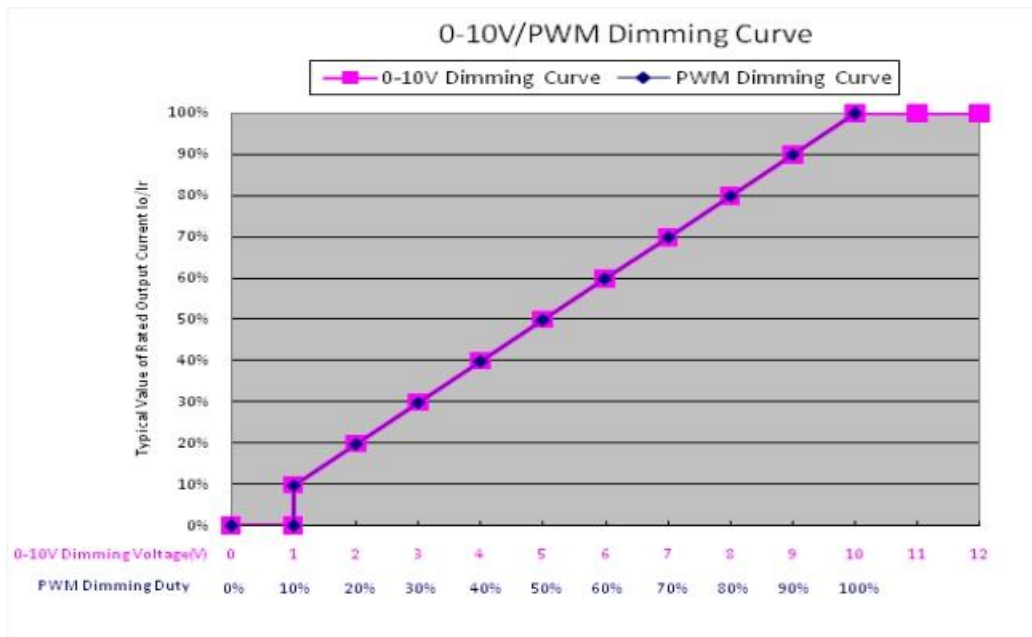
**TOTAL HARMONIC DISTORTION**



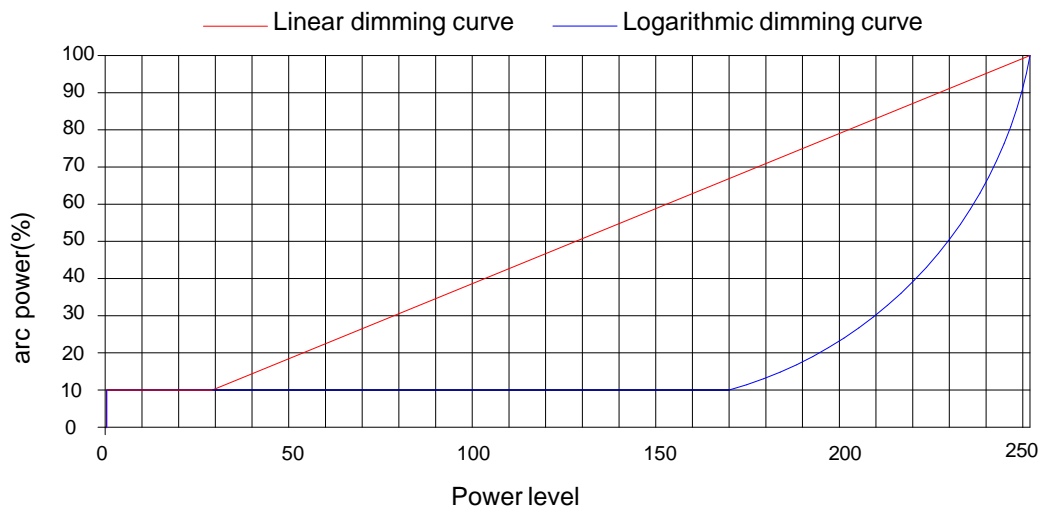
**PROTECTIONS**

Parameter	Notes
Over Temperature Protection	Decreases output current, returning to normal after over temperature is removed. The max derating could be 30% (typ.).
Short Circuit Protection	The input power shall decrease when the output rail short, the power supply shall not be damaged.
Over Voltage Protection	Run into protection model when output voltage exceeds limit, and return to normal when the fault

**0-10V/PWM DIMMING**

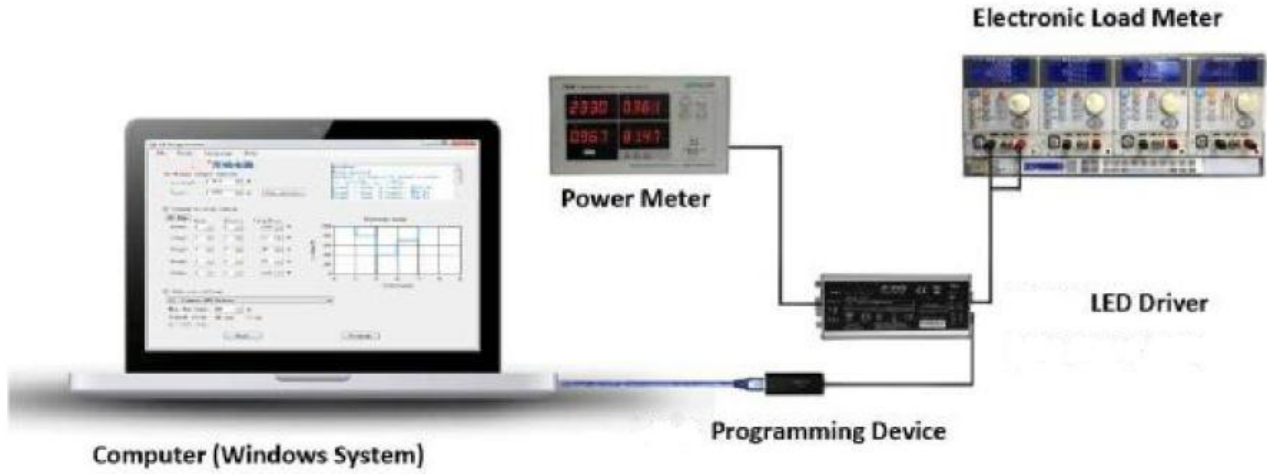


**DALI DIMMING**

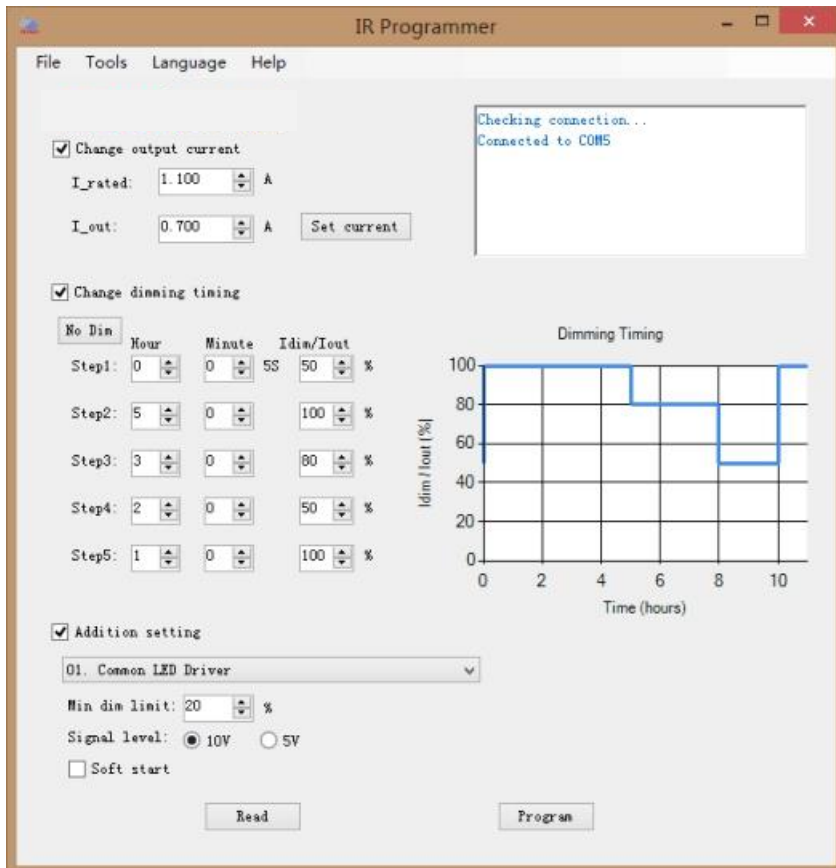


Note: Factory Default Output Logarithmic Curve

**PROGRAMMING CONNECTION**



**PROGRAMMING GUIDE AND SOFTWARE INTERFACE**



- Programming by Software:**
- 1) Read existing setting of the driver
  - 2) Change output current;
  - 3) Set timer dimming schedules;
  - 4) Addition setting
    - Set min. dim value;
    - Set signal level can be 5V or 10V;
    - Set soft start.

**USING INFRERED CONTROLLER TO RESET OUTPUT CURRENT**



**Operation Instruction:**

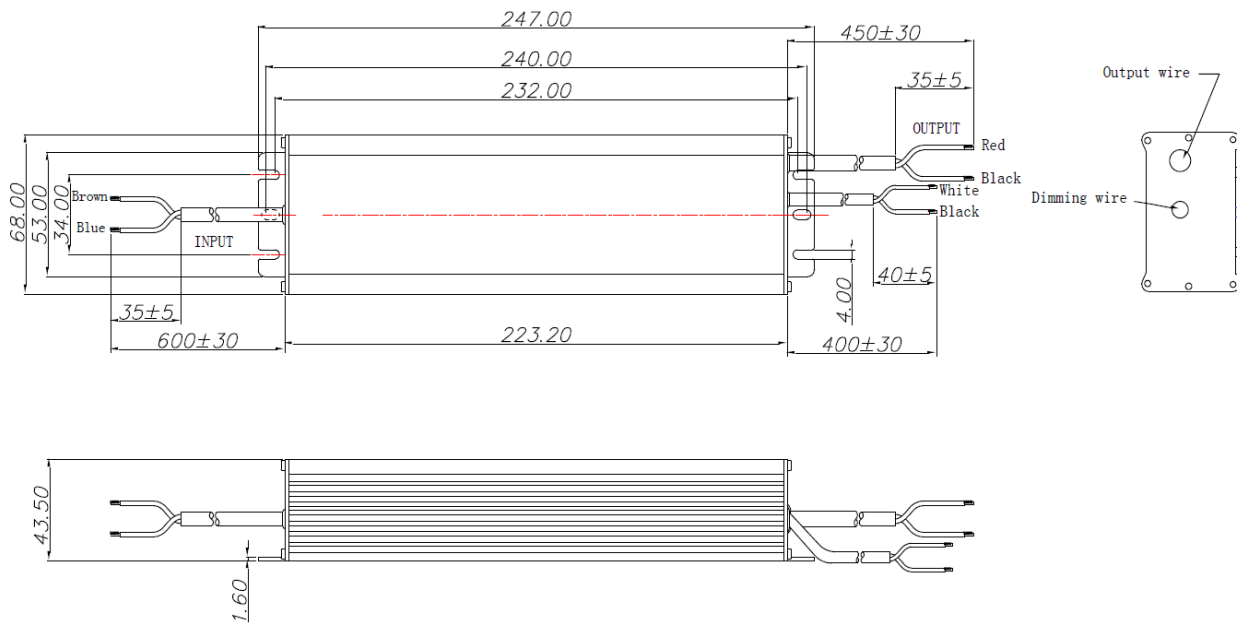
- 1) Insert cable terminal of the infrared controller into the infrared communication port, which is at the DC output side of the LED driver.
- 2) Press "ON" key to power on the controller;
- 3) Within 10S interval, press a function key to adjust output current to the percentage of max delivered current;
  - 10%-100%: Percentage of maximum output current of such driver.
  - + / - : Fine adjustment of output current, increase / decrease 1% each time.
  - ON: Power on controller.
  - OFF: Set min output current of such driver.
  - SE: No function.

**Warning:**

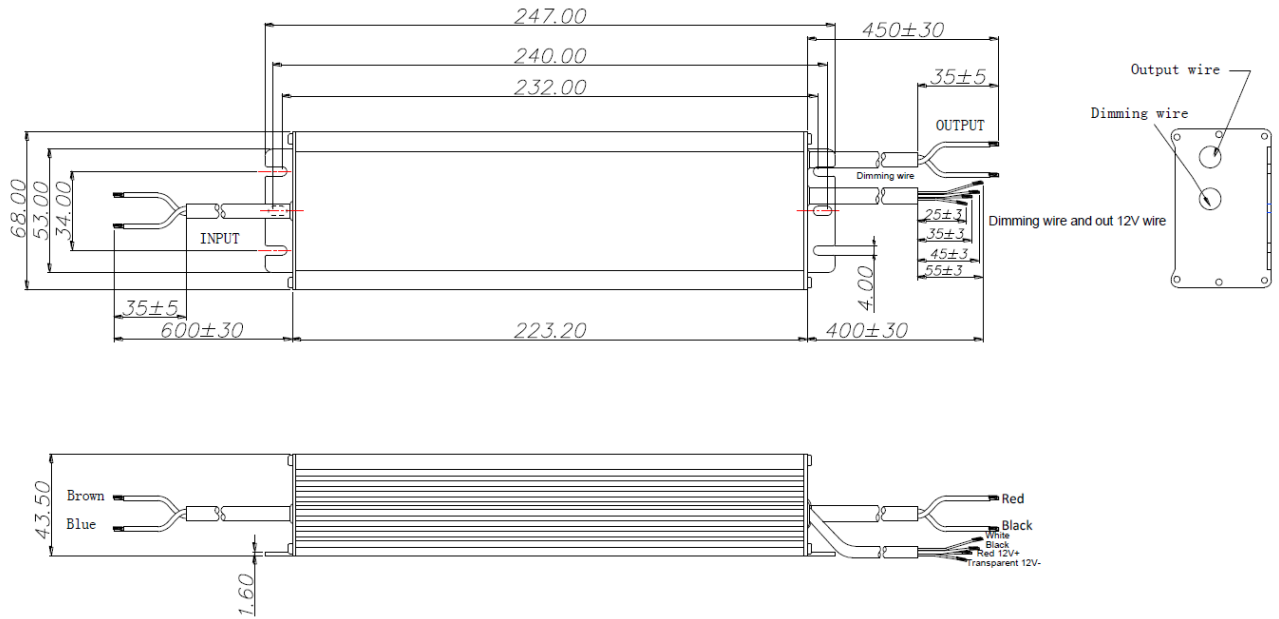
- Please do not hold "+"key, to avoid the over power protection and unstable output.
- Each step of operation should be done within 10S interval, otherwise the controller is power off automatically.

**MECHANICAL OUTLINE**

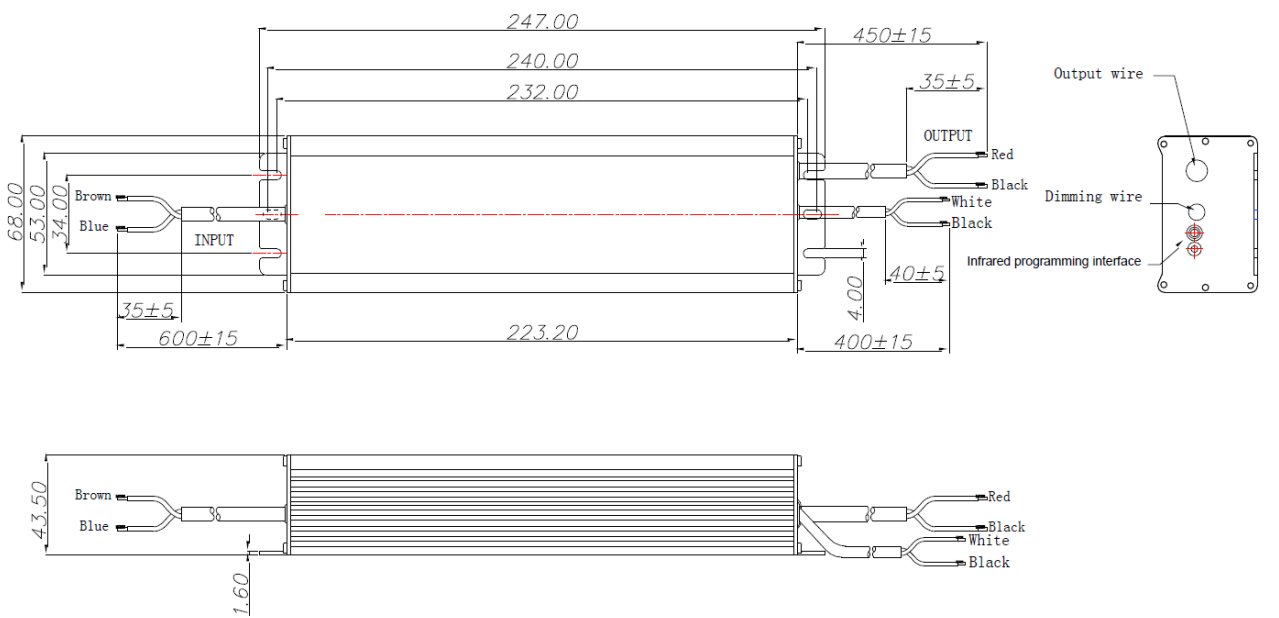
GLCP-200D types



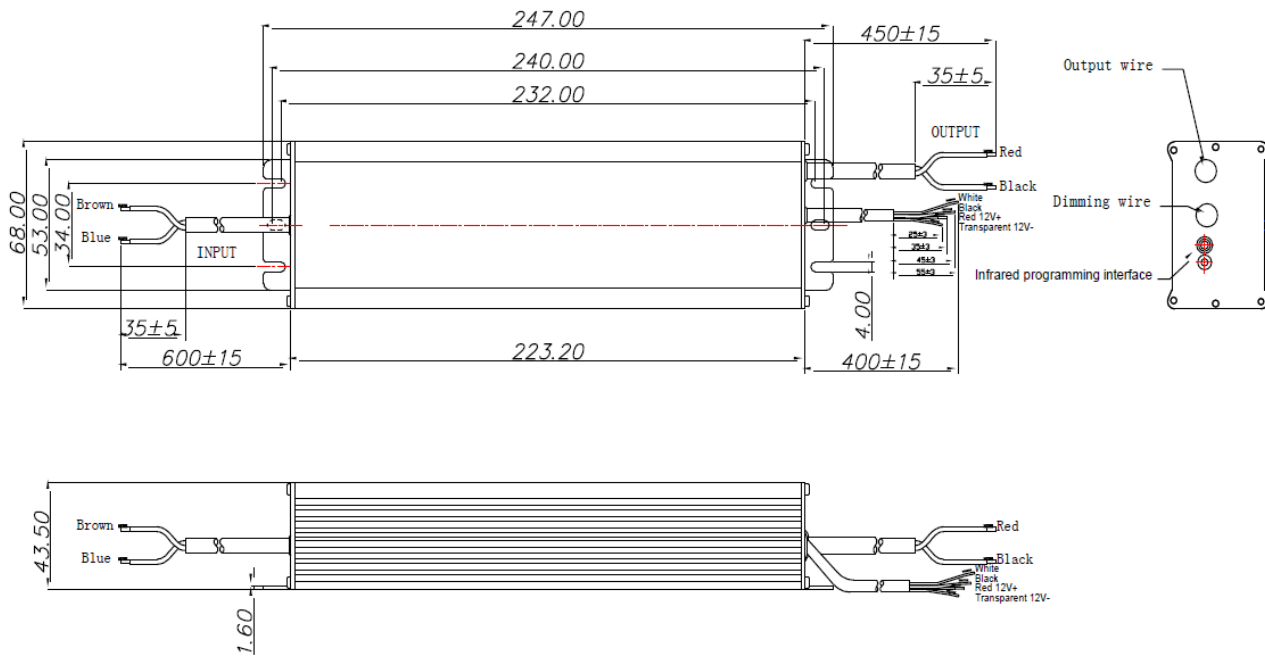
GLCP-200D-A12 types



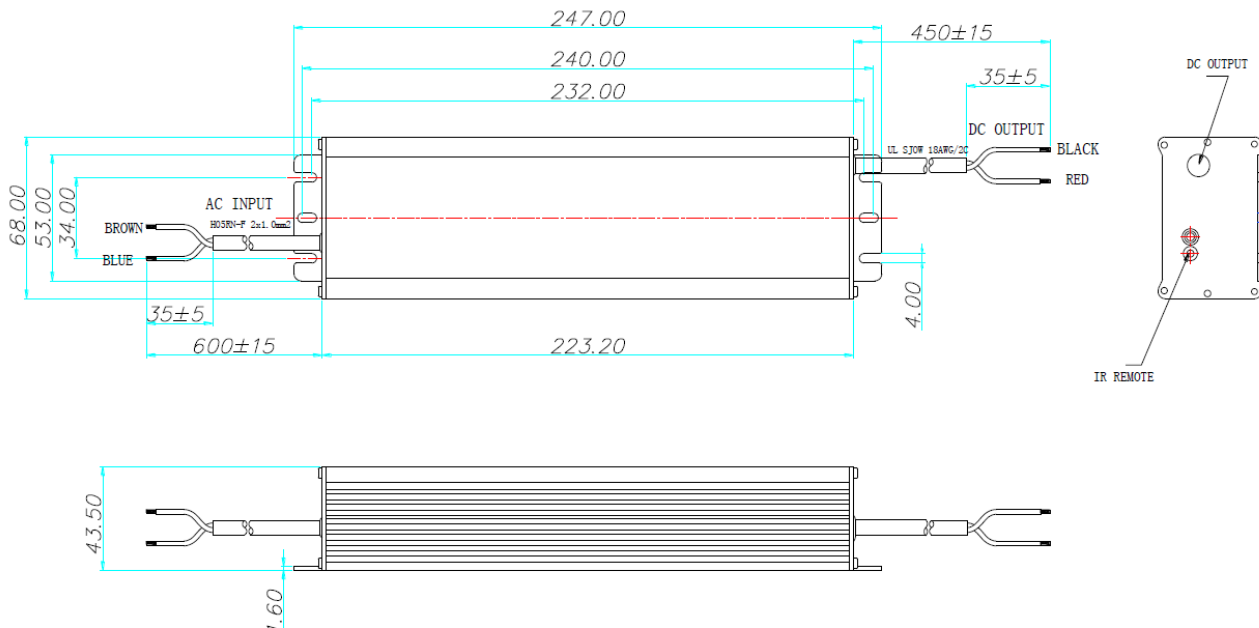
GLCP-200M types



GLCP-200M-A12 types



GLCP-200R types



Wire	Specification	Note
AC Input	CCC+VDE 2x1.0mm <sup>2</sup> L=600mm	
DC Output	16# 2C L=450mm	For GLCP-200X041
DC Output	18# 2C L=450mm	
Dimming	22# 2C L=400mm	
	22# 4C L=400mm	